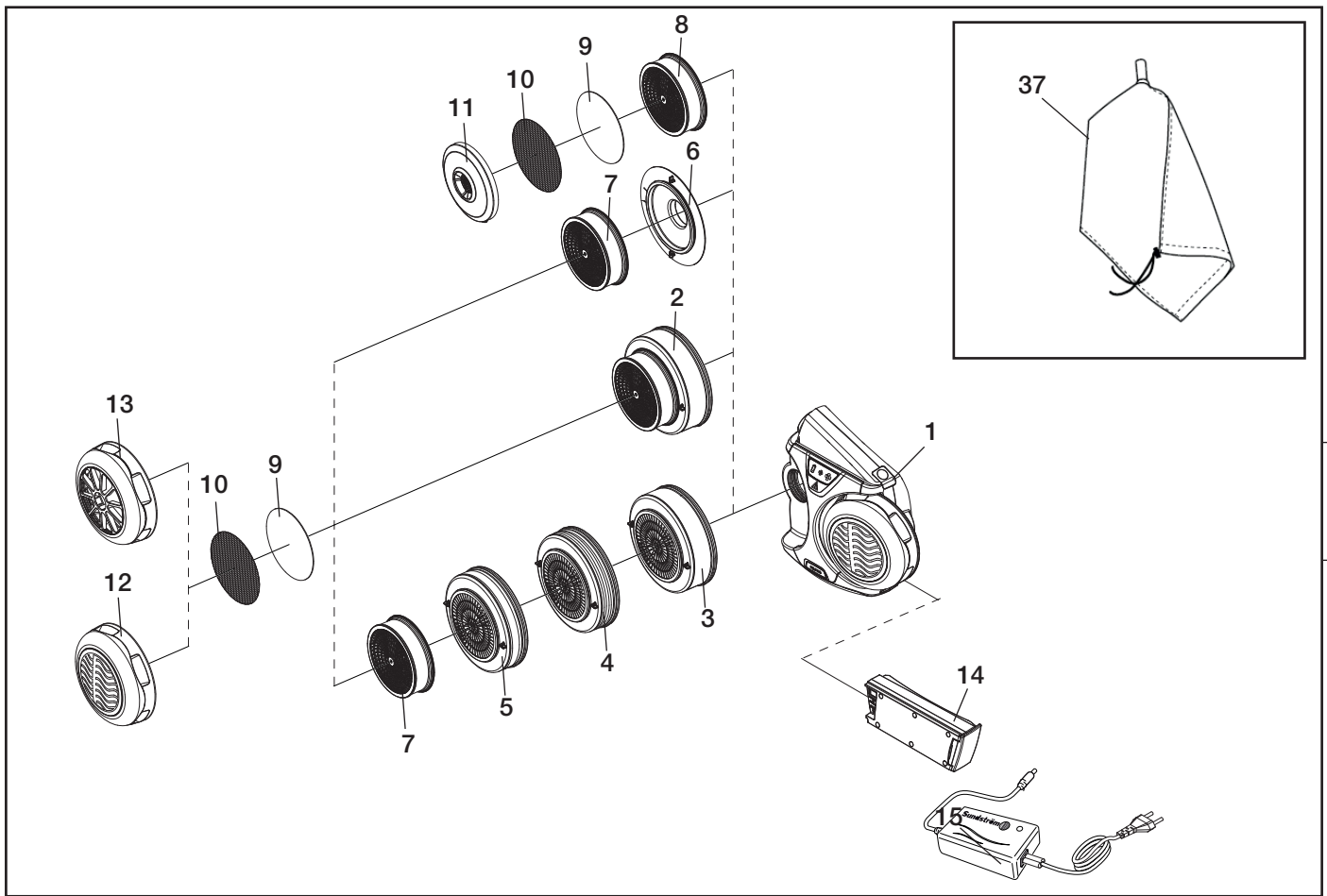




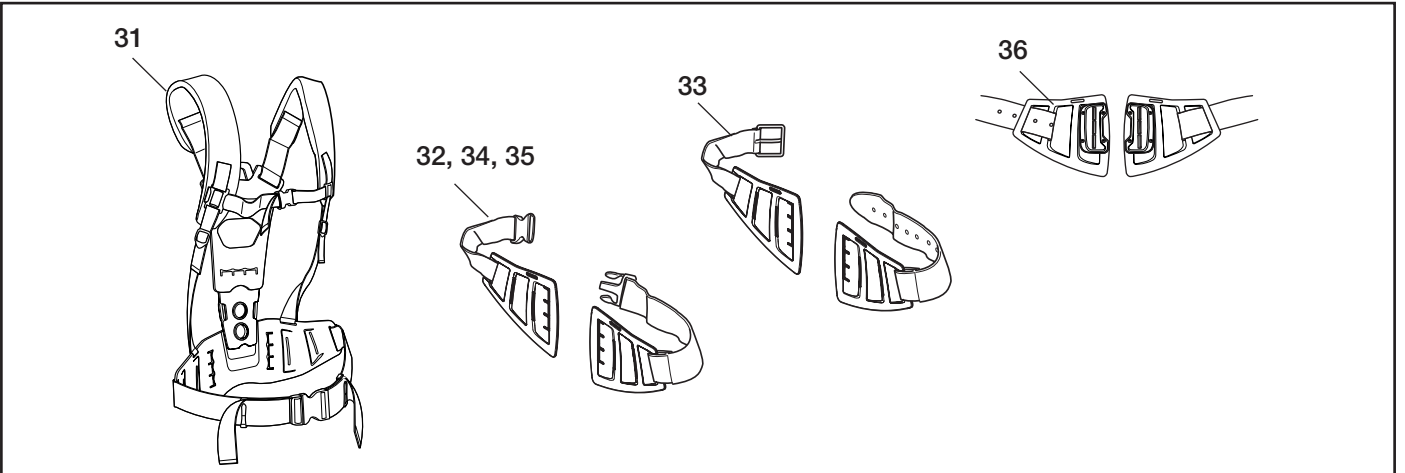
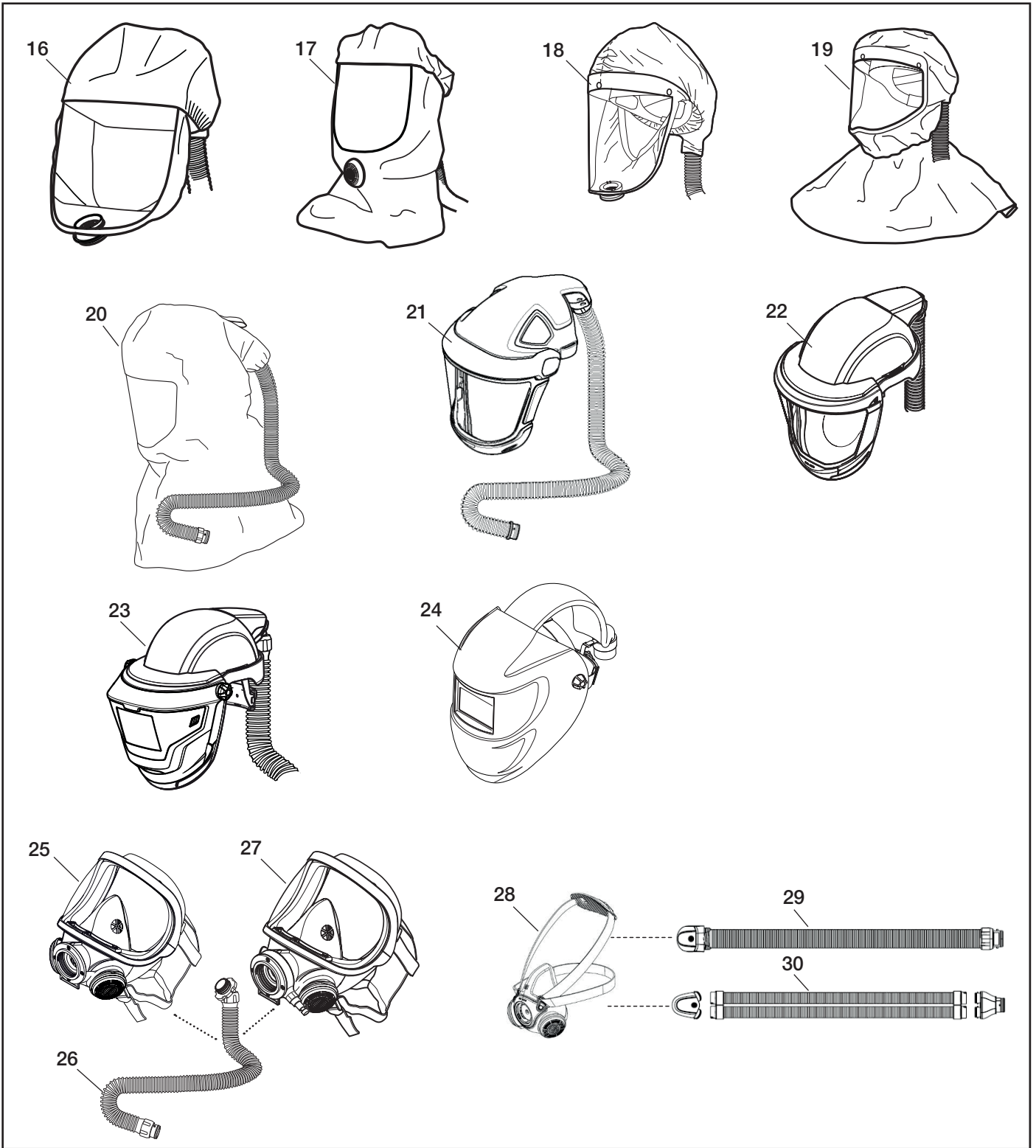
SR 500

SYSTEM OVERVIEW



No.	Description	Name	Art No.
1.	Fan unit	SR 500	R06-0110
2.	Gas filter A1BE2K1-Hg-P3 R	SR 599	H02-7312
3.	Gas filter A1BE2K1	SR 597	H02-7212
4.	Gas filter ABE1	SR 515	H02-7112
5.	Gas filter A2	SR 518	H02-7012
6.	Filter adapter	SR 511	R06-0105
7.	Particle filter P3 R	SR 510	H02-1312
8.	Particle filter P3 R	SR 710	H02-1512
9.	Pre-filter	SR 221	H02-0312
10.	Steel net disc	SR 336	T01-2001
11.	Pre-filter holder		R01-0605
12.	Pre-filter holder	SR 512	R06-0106
13.	Asbestos kit	SR 509	T06-0105
14.	Battery STD 2.2 Ah	SR 501	R06-0102
	Battery HD 3.6 Ah	SR 502	T06-0101
15.	Battery charger	SR 513	R06-0103
16.	Hood TH3	SR 520 S/M	H06-0312
	Hood TH3	SR 520 M/L	H06-0212
17.	Hood TH3	SR 530	H06-0412
18.	Hood TH3	SR 562	H06-5112
19.	Hood TH3	SR 561	H06-5012
20.	Hood TH3	SR 601	H06-5412
	Hood TH3	SR 602	H06-5512
21.	Face shield TH3	SR 570	H06-6512
22.	Helmet with visor TH3	SR 580	H06-8012

No.	Description	Name	Art No.
23.	Welding shield/Helmet with visor TH3	SR 584/ SR 580	H06-8310
24.	Welding shield TH3	SR 592	H06-4412
25.	Full face mask TM3, PC visor	SR 200	H01-1212
	Full face mask TM3, glass visor	SR 200	H01-1312
26.	Breathing hose 0,9 m PU	SR 550	T01-1216
	Breathing hose 1,0 m PU	SR 550	T01-1220
	Breathing hose 0,7 m rubber	SR 551	T01-1218
	Breathing hose 0,9 m rubber	SR 551	T01-1221
27.	Compressed air-fed full face mask TM3, PC visor	SR 200 Airline A	H03-1012
	Compressed air-fed full face mask TM3, glass visor	SR 200 Airline A	H03-1212
28.	Half mask TM3	SR 900 S	H01-3012
		SR 900 M	H01-3112
		SR 900 L	H01-3212
29.	Single Hose	SR 951	T01-3003
30.	Twin Hose	SR 952	R01-3009
31.	Harness	SR 552	T06-0116
32.	Belt cotton	SR 508	R06-0101
33.	Belt leather	SR 503	T06-0103
	Belt leather, large	SR 503	T06-0107
34.	Belt rubber	SR 504	T06-0104
35.	Belt PVC		T06-0124
36.	HD Belt, standard	SR 553	T06-0119
	HD Belt, large	SR 553	T06-0120
37.	Flow meter	SR 356	R03-0346



The fan unit SR 500 is manufactured within a quality management system accepted by
Notified Body 0194: INSPEC International Limited,
56 Leslie Hough way,
Salford, M6 6 AJ, England



Sundström Safety AB
SE-341 50 Lagan • Sweden
Tel: +46 10 484 87 00
info@srsafety.se • www.srsafety.com