



Fall Protection

<b>CE</b>	<b>EN795: 2012 Type B</b>
<b>CE Type Test</b> No. 2777 Satra Technology Europe Ltd Bracetown Business Park, Clonee Dublin D15 YN2P Ireland	<b>CE Product Quality Control</b> No. 0086 BSI Kitemark Court Davy Avenue Knowlhill Milton Keynes MK5 8PP United Kingdom

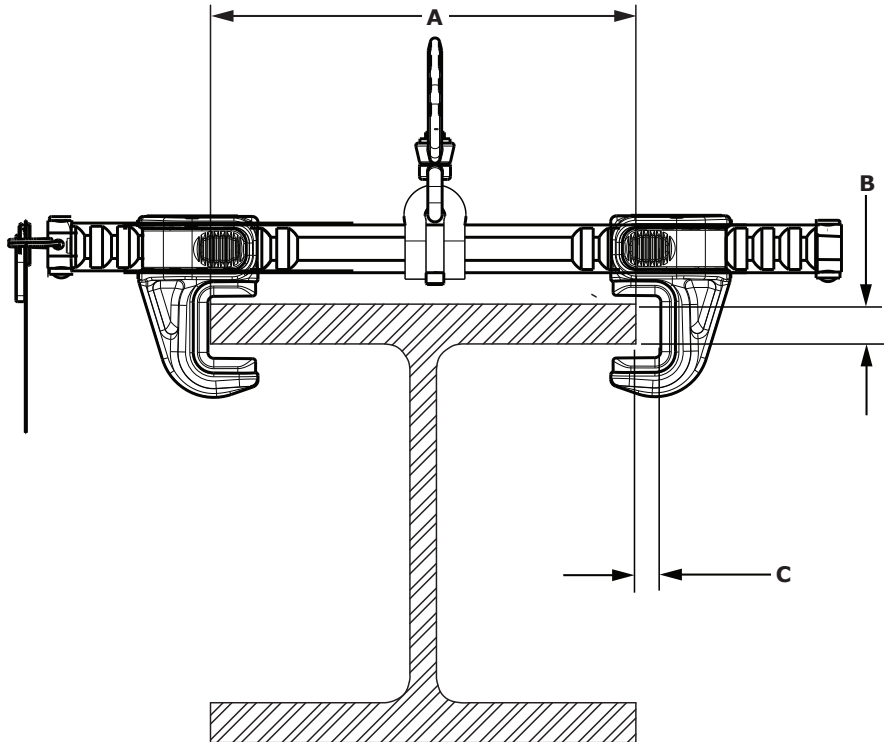
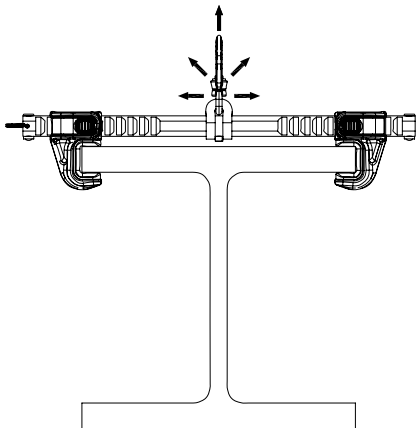
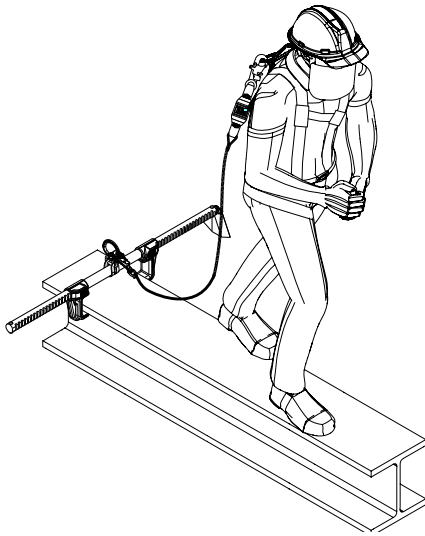
# SLIDING BEAM ANCHOR

## Anchorage Connector

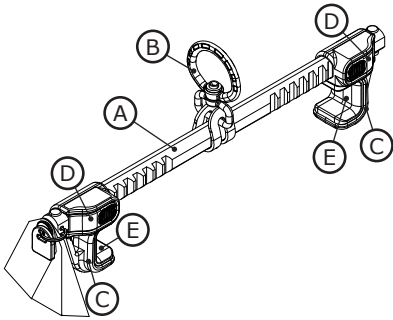
### USER INSTRUCTION MANUAL

#### 1

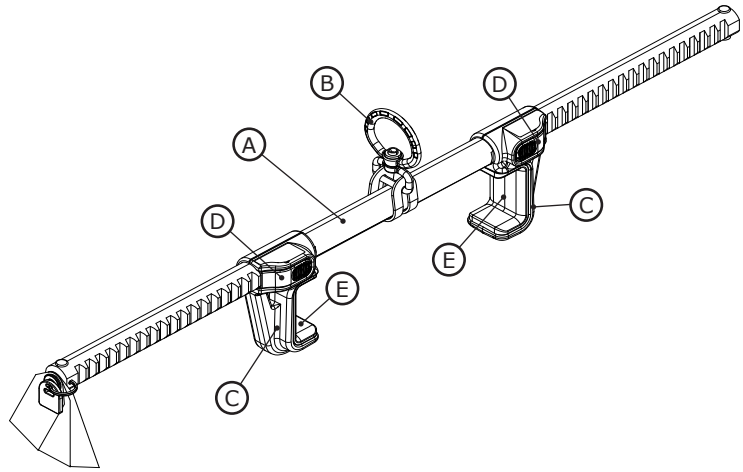
				<b>A</b>	<b>B</b>	<b>C</b>
	<b>2104711</b>	48.9cm x 5.4cm x 9.9cm (19.3in x 2.1in x 3.9in)	1.52 kg (3.4 lbs)	8.9 cm - 35.6 cm (3.5 in - 14 in)	≤ 3.2 cm (≤ 1.3 in)	≤ 1.4 cm (≤ 0.6 in)
	<b>2104716</b>	94.6cm x 5.7cm x 14.0cm (37.3in x 2.3in x 5.5in)	3.29kg (7.3 lbs)	30.5 cm - 76.2 cm (12 in - 30 in)	≤ 6.3 cm (≤ 2.5 in)	≤ 1.4 cm (≤ 0.6 in)



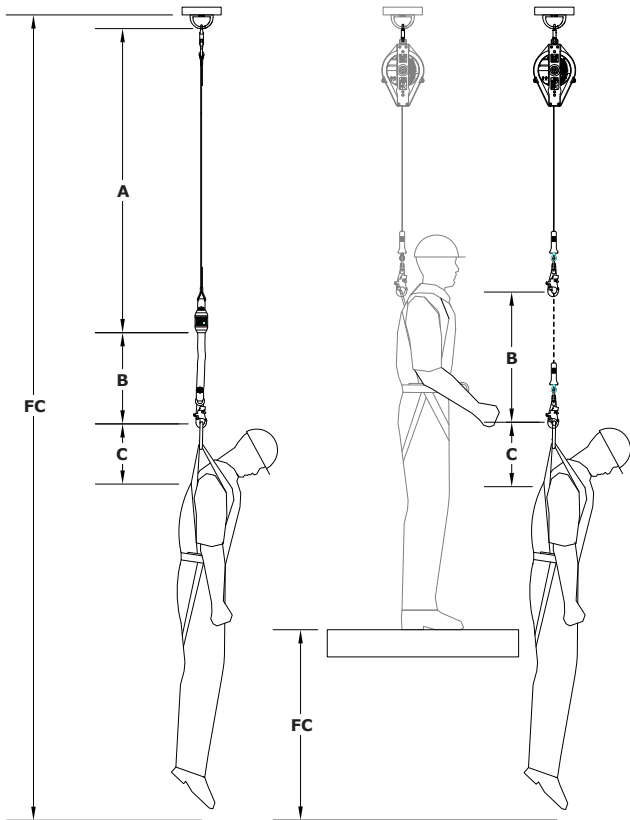
2104711



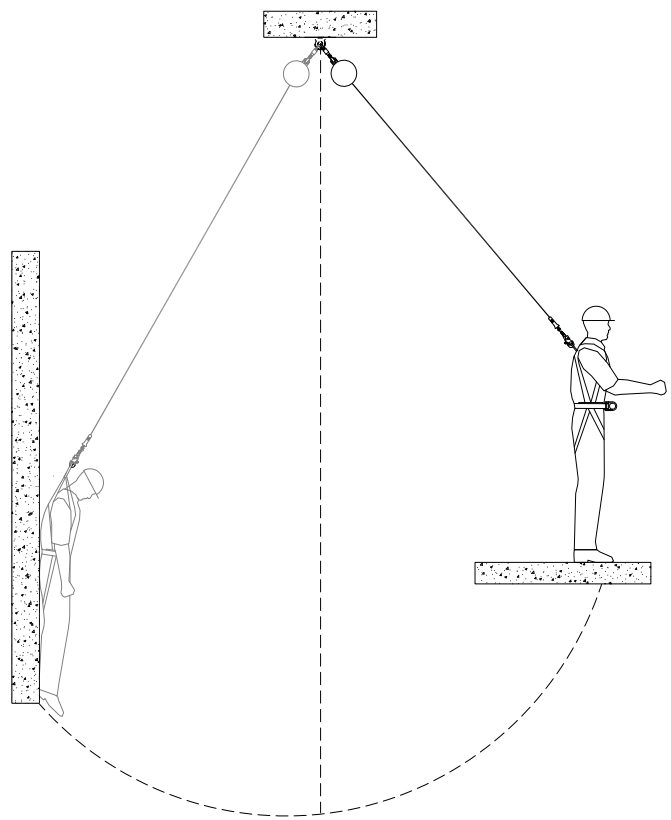
2104716



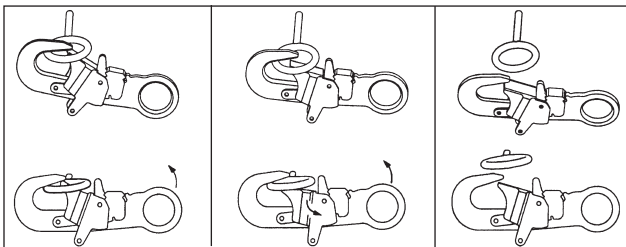
3



4



5

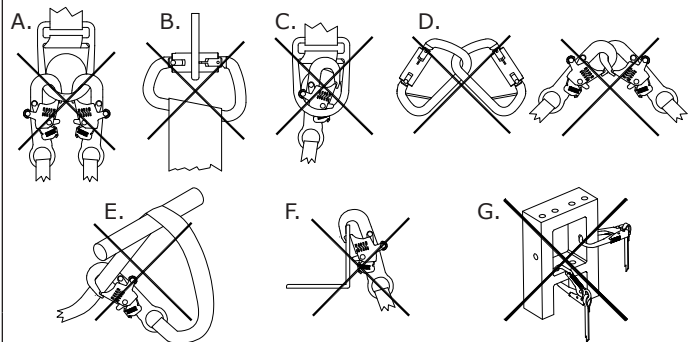


A

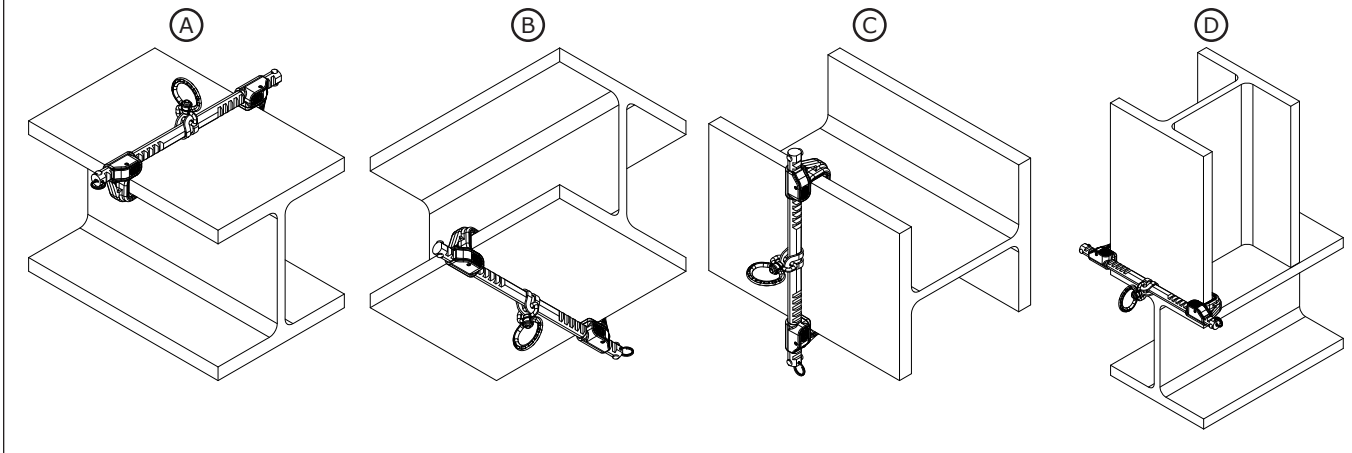
B

C

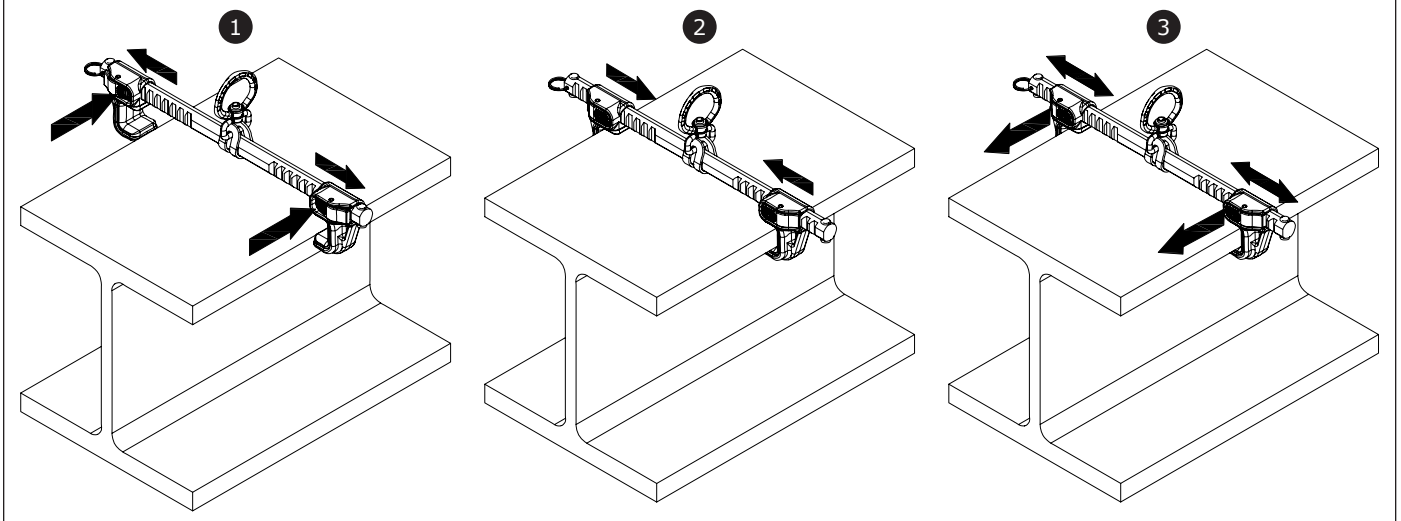
6



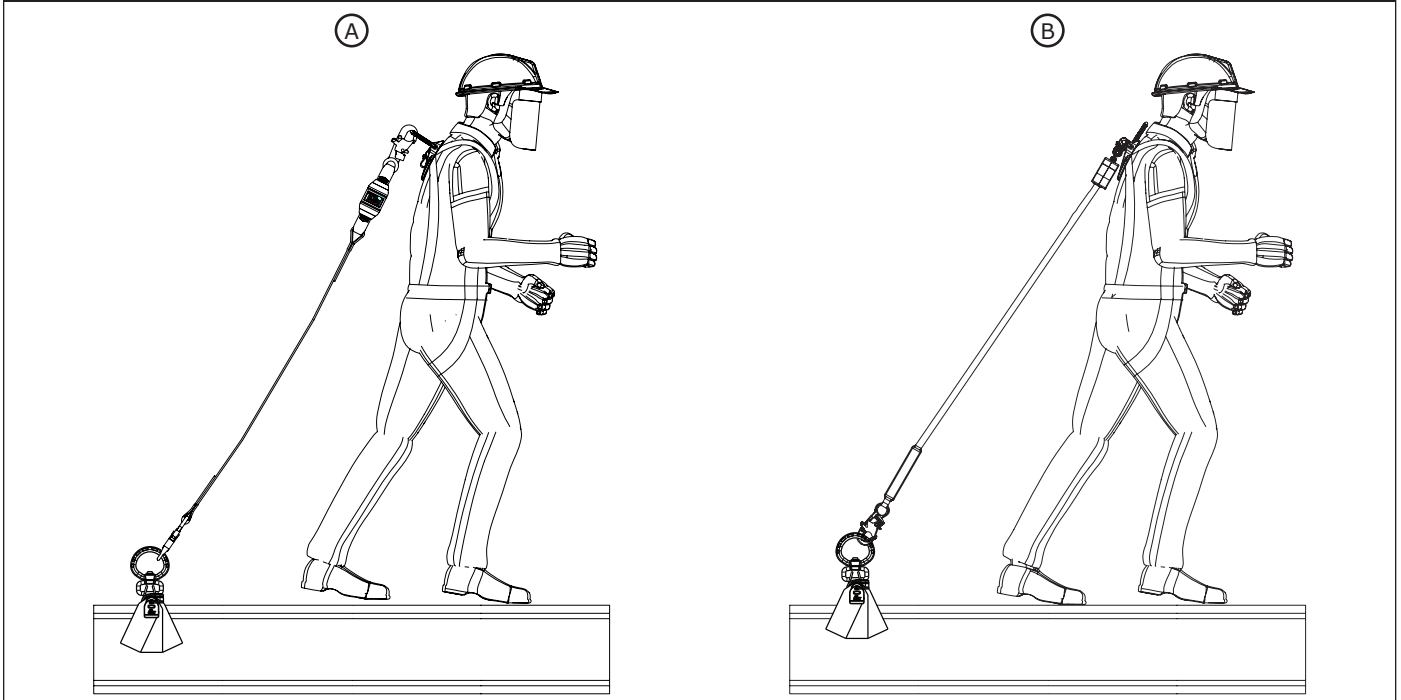
7



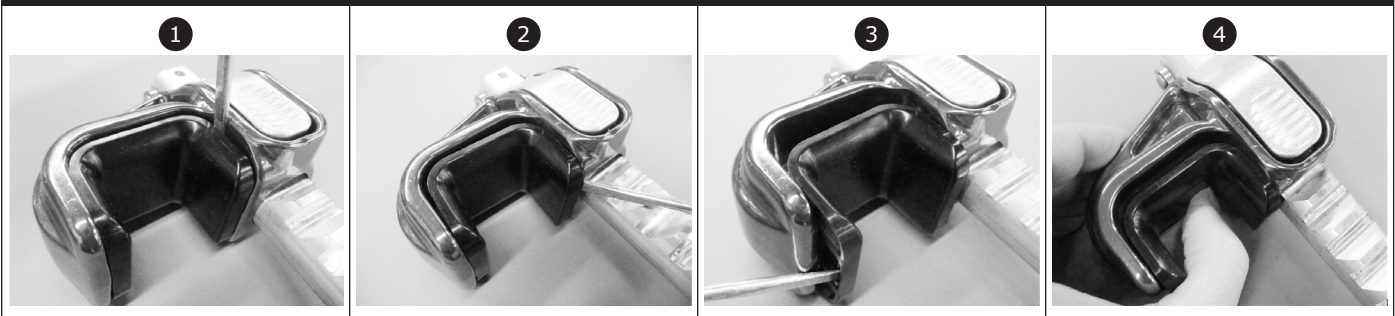
8



9



10



11

**3M** | **SALA** | **Sliding Beam Anchor**  
3M.com/FallProtection

Fall Protection  
Red Wing, MN 55066, USA

**CE 0086**  
EN 795: 2012 TYPE B  
Made in Taiwan

140 kg (310 lbs) MAX. **X1**

© MFRD (YR/MO):  
Fabr. (aa,mm):  
Дата изг.:

© LOT:  
Партия:

© MODEL NO:  
N° de Modele:  
Номер модели:

INSPECTION LOG / JOURNAL D'INSPECTION			
DATE	INITIALS	DATE	INITIALS

Model #	X	Y
2104711	8.9 cm - 35.6 cm (3.5 in - 14 in)	< 3.2 cm (1.25 in)
2104716	30.5 cm - 76.2 cm (12 in - 30 in)	< 6.3 cm (2.5 in)

# SAFETY INFORMATION

Please read, understand, and follow all safety information contained in these instructions prior to the use of this Anchorage Connector. FAILURE TO DO SO COULD RESULT IN SERIOUS INJURY OR DEATH.

These instructions must be provided to the user of this equipment. Retain these instructions for future reference.

## Intended Use:

This Anchorage Connector is intended for use as part of a complete personal fall protection system.

Use in any other application including, but not limited to, material handling, recreational or sports related activities, or other activities not described in the User Instructions, is not approved by 3M and could result in serious injury or death.

This device is only to be used by trained users in workplace applications.

## WARNING

This Anchorage Connector is part of a personal fall protection system. It is expected that all users be fully trained in the safe installation and operation of their personal fall protection system. **Misuse of this device could result in serious injury or death.** For proper selection, operation, installation, maintenance, and service, refer to these User Instructions and all manufacturer recommendations, see your supervisor, or contact 3M Technical Service.

- **To reduce the risks associated with working with an Anchorage Connector which, if not avoided, could result in serious injury or death:**
  - Inspect the device before each use, at least annually, and after any fall event. Inspect in accordance with the User Instructions.
  - If inspection reveals an unsafe or defective condition, remove the device from service and repair or replace according to the User Instructions.
  - Any device that has been subject to fall arrest or impact force must be immediately removed from service and destroyed.
  - The device must only be installed in the specified substrates or on structures detailed in the User Instructions. Installations and use outside the scope of this instruction must be approved by 3M Fall Protection.
  - The substrate or structure to which the anchorage connector is attached must be able to sustain the static loads specified for the anchor in the orientations permitted in the User Instructions.
  - Only connect other fall protection subsystems to the designated anchorage connection point on the device.
  - Prior to drilling or fastening, ensure no electric lines, gas lines, or other critical embedded systems will be contacted by the drill or the device.
  - Ensure that fall protection systems/subsystems assembled from components made by different manufacturers are compatible and meet the requirements of applicable standards, including the ANSI Z359 or other applicable fall protection codes, standards, or requirements. Always consult a Competent or Qualified Person before using these systems.
  
- **To reduce the risks associated with working at height which, if not avoided, could result in serious injury or death:**
  - Ensure your health and physical condition allow you to safely withstand all of the forces associated with working at height. Consult with your doctor if you have any questions regarding your ability to use this equipment.
  - Never exceed allowable capacity of your fall protection equipment.
  - Never exceed maximum free fall distance of your fall protection equipment.
  - Do not use any fall protection equipment that fails pre-use or other scheduled inspections, or if you have concerns about the use or suitability of the equipment for your application. Contact 3M Technical Services with any questions.
  - Some subsystem and component combinations may interfere with the operation of this equipment. Only use compatible connections. Consult 3M prior to using this equipment in combination with components or subsystems other than those described in the User Instructions.
  - Use extra precautions when working around moving machinery (e.g. top drive of oil rigs) electrical hazards, extreme temperatures, chemical hazards, explosive or toxic gases, sharp edges, or below overhead materials that could fall onto you or your fall protection equipment.
  - Use Arc Flash or Hot Works devices when working in high heat environments.
  - Avoid surfaces and objects that can damage the user or equipment.
  - Ensure there is adequate fall clearance when working at height.
  - Never modify or alter your fall protection equipment. Only 3M or parties authorized in writing by 3M may make repairs to the equipment.
  - Prior to use of fall protection equipment, ensure a rescue plan is in place which allows for prompt rescue if a fall incident occurs.
  - If a fall incident occurs, immediately seek medical attention for the worker who has fallen.
  - Do not use a body belt for fall arrest applications. Use only a Full Body Harness.
  - Minimize swing falls by working as directly below the anchorage point as possible.
  - If training with this device, a secondary fall protection system must be utilized in a manner that does not expose the trainee to an unintended fall hazard.
  - Always wear appropriate personal protective equipment when installing, using, or inspecting the device/system.

Prior to installation and use of this equipment, record the product identification information from the ID label in the Inspection and Maintenance Log (Table 2) at the back of this manual.

**PRODUCT DESCRIPTION:**

Figure 1 Illustrates the 3M™ DBI-SALA™ Sliding Beam Anchor. The Sliding Beam Anchor is a single point anchorage connector for a personal fall arrest system or personal fall restraint system designed to be attached to a beam.

Figure 2 Illustrates components of the Sliding Beam Anchor. See Table 1 for Component Specifications. The Sliding Beam Anchor is comprised of a notched Support Bar (A) with a swiveling Connector Ring (B) and adjustable Hook Ends (C) that hook over each edge of a beam flange with Tab Locks (D) that engage the notches on the Support Bar. The Sliding Beam Anchor slides smoothly along the beam on Wear Pads (E). A Lanyard or Self-Retracting Device (SRD) is connected between the Swiveling Connector Ring on the Sliding Beam Anchor and the appropriate attachment element on the user’s Full Body Harness.

**Table 1 – Specifications**

System Specifications:		
<b>Capacity:</b>	1 Person with a combined weight (clothing, tools, etc.) of no more than: 140 kg (310 lbs) for EN 795.	
<b>Anchorage Strength:</b>	The required Anchorage Strength depends on the application:  <b>Anchorage Structure:</b> The structure to which the Anchorage Connector is mounted must be capable of sustaining force in the anticipated direction(s) of loading. Each Anchorage Point location must be capable of sustaining the following values:	
	<b>EN 795</b>	12 kN (2698 lb)
<b>Service Temperature</b>	-40°C (-40°F) Minimum Service Temperature	
<b>Anchorage Connector Breaking Strength:</b>	22 kN (5,000 lbs) Minimum Breaking Strength	
<b>Dimensions:</b>	See Figure 1 for the dimensions of each Sliding Beam Anchor model.	
<b>Weight:</b>	See Figure 1 for the weight of each Sliding Beam Anchor model.	
Component Specifications:		
Figure 2 Reference	Component	Materials
Ⓐ	Support bar	Aluminum Alloy
Ⓑ	Connector Ring	Alloy Steel
Ⓒ	Hook Ends	Aluminum Alloy
Ⓓ	Tab Locks	Alloy Steel
Ⓔ	Wear Pads	Nylon

**1 Qualified Person:** An individual with a recognized degree or professional certificate, and extensive experience in Fall Protection. This individual must be capable of design, analysis, evaluation, and specification in Fall Protection.

## 1.0 PRODUCT APPLICATION

- 1.1 PURPOSE:** Anchorage Connectors are designed to provide anchorage connection points for Fall Arrest<sup>1</sup> or Fall Restraint<sup>2</sup> systems: Restraint, Work Positioning, Personnel Riding, Rescue, etc.

**Fall Protection Only:** This Anchorage Connector is for connection of Fall Protection Equipment. Do not connect Lifting Equipment to this Anchorage Connector.

- 1.2 STANDARDS:** Your Anchorage Connector conforms to the national or regional standard(s) identified on the front cover of these instructions. If this product is resold outside the original country of destination, the re-seller must provide these instructions in the language of the country in which the product will be used.
- 1.3 SUPERVISION:** Use of this equipment must be supervised by a Competent Person<sup>3</sup>.
- 1.4 TRAINING:** This equipment must be installed and used by persons trained in its correct application. This manual is to be used as part of an employee training program as required by CE. It is the responsibility of the users and installers of this equipment to ensure they are familiar with these instructions, trained in the correct care and use of this equipment, and are aware of the operating characteristics, application limitations, and consequences of improper use of this equipment.
- 1.5 RESCUE PLAN:** When using this equipment and connecting subsystem(s), the employer must have a rescue plan and the means at hand to implement and communicate that plan to users, authorized persons<sup>4</sup>, and rescuers<sup>5</sup>. A trained, on-site rescue team is recommended. Team members should be provided with the equipment and techniques to perform a successful rescue. Training should be provided on a periodic basis to ensure rescuer proficiency.
- 1.6 INSPECTION FREQUENCY:** The Anchorage Connector shall be inspected by the user before each use and, additionally, by a competent person other than the user at intervals of no longer than one year.<sup>6</sup> Inspection procedures are described in the "Inspection and Maintenance Log". Results of each Competent Person inspection should be recorded on copies of the "Inspection and Maintenance Log".
- 1.7 AFTER A FALL:** If the Anchorage Connector is subjected to the forces of arresting a fall, it must be removed from service immediately, clearly marked "DO NOT USE", and then destroyed.

## 2.0 SYSTEM REQUIREMENTS

- 2.1 ANCHORAGE:** Anchorage requirements vary with the fall protection application. Structure on which the Anchorage Connector is placed or mounted must meet the Anchorage specifications defined in Table 1.
- 2.2 PERSONAL FALL ARREST SYSTEM:** Figure 1 illustrates the application of this Anchorage Connector. Personal Fall Arrest Systems (PFAS) used with the system must meet applicable Fall Protection standards, codes, and requirements. The PFAS must incorporate a Full Body Harness, and limit Arresting Force to the following values:

	Maximum Arresting Force	Free Fall
PFAS with Shock Absorbing Lanyard	6 kN (1,350 lb)	Refer to the instruction(s) included with your Lanyard or SRD for Free Fall limitations.
PFAS with Self Retracting Device (SRD)	6 kN (1,350 lb)	

- 2.3 FALL PATH AND SRD LOCKING SPEED:** A clear path is required to assure positive locking of an SRD. Situations which do not allow for an unobstructed fall path should be avoided. Working in confined or cramped spaces may not allow the body to reach sufficient speed to cause the SRD to lock if a fall occurs. Working on slowly shifting material, such as sand or grain, may not allow enough speed buildup to cause the SRD to lock.
- 2.4 HAZARDS:** Use of this equipment in areas with environmental hazards may require additional precautions to prevent injury to the user or damage to the equipment. Hazards may include, but are not limited to: heat, chemicals, corrosive environments, high voltage power lines, explosive or toxic gases, moving machinery, sharp edges, or overhead materials that may fall and contact the user or Personal Fall Arrest System.
- 2.5 FALL CLEARANCE:** Figure 3 illustrates the components of a Fall Arrest. There must be sufficient Fall Clearance (FC) to arrest a fall before the user strikes the ground or other obstruction. Clearance is affected by a number of factors including: Anchorage Location, (A) Lanyard Length, (B) Lanyard Deceleration Distance or SRD Maximum Arrest Distance, (C) Harness Stretch and D-Ring/Connector Length and Settling. Refer to the instructions included with your Fall Arrest subsystem for specifics regarding Fall Clearance calculation.
- 2.6 SWING FALLS:** Swing Falls occur when the anchorage point is not directly above the point where a fall occurs (see Figure 4). The force of striking an object in a swing fall may cause serious injury or death. Minimize swing falls by working as directly below the anchorage point as possible. Do not permit a swing fall if injury could occur. Swing falls will significantly increase the clearance required when a Self-Retracting Device or other variable length connecting subsystem is used.

**1 Fall Arrest System:** A collection of Fall Protection Equipment configured to arrest a free fall.

**2 Fall Restraint System:** A collection of Fall Protection Equipment configured to prevent the person's center of gravity from reaching a fall hazard.

**3 Competent Person:** One who is capable of identifying existing and predictable hazards in the surroundings or working conditions which are unsanitary, hazardous, or dangerous to employees, and who has authorization to take prompt corrective measures to eliminate them.

**4 Authorized Person:** For purposes of the Z359 standards, a person assigned by the employer to perform duties at a location where the person will be exposed to a fall hazard.

**5 Rescuer:** Person or persons other than the rescue subject acting to perform an assisted rescue by operation of a rescue system.

**6 Inspection Frequency:** Extreme working conditions (harsh environments, prolonged use, etc.) may require increasing the frequency of competent person inspections.

**2.7 COMPONENT COMPATIBILITY:** 3M equipment is designed for use with 3M approved components and subsystems only. Substitutions or replacements made with non-approved components or subsystems may jeopardize compatibility of equipment and may affect the safety and reliability of the complete system.

**2.8 CONNECTOR COMPATIBILITY:** Connectors are considered to be compatible with connecting elements when they have been designed to work together in such a way that their sizes and shapes do not cause their gate mechanisms to inadvertently open regardless of how they become oriented. Contact 3M if you have any questions about compatibility. Connectors must comply with EN 362. Connectors must be compatible with the anchorage or other system components. Do not use equipment that is not compatible. Non-compatible connectors may unintentionally disengage (see Figure 5). Connectors must be compatible in size, shape, and strength. If the connecting element to which a snap hook or carabiner attaches is undersized or irregular in shape, a situation could occur where the connecting element applies a force to the gate of the snap hook or carabiner (A). This force may cause the gate to open (B), allowing the snap hook or carabiner to disengage from the connecting point (C).

**2.9 MAKING CONNECTIONS:** Snap hooks and carabiners used with this equipment must be self-locking. Ensure all connections are compatible in size, shape and strength. Do not use equipment that is not compatible. Ensure all connectors are fully closed and locked.

3M connectors (snap hooks and carabiners) are designed to be used only as specified in each product's user's instructions. See Figure 6 for examples of inappropriate connections. Do not connect snap hooks and carabiners:

- A. To a D-ring to which another connector is attached.
- B. In a manner that would result in a load on the gate. Large throat snap hooks should not be connected to standard size D-rings or similar objects which will result in a load on the gate if the hook or D-ring twists or rotates, unless the snap hook complies is equipped with a 16 kN (3,600 lb) gate. Check the marking on your snap hook to verify that it is appropriate for your application.
- C. In a false engagement, where features that protrude from the snap hook or carabiner catch on the anchor, and without visual confirmation seems to be fully engaged to the anchor point.
- D. To each other.
- E. Directly to webbing or rope lanyard or tie-back (unless the manufacturer's instructions for both the lanyard and connector specifically allows such a connection).
- F. To any object which is shaped or dimensioned such that the snap hook or carabiner will not close and lock, or that roll-out could occur.
- G. In a manner that does not allow the connector to align properly while under load.



### 3.0 INSTALLATION

Installation of the DBI-SALA Sliding Beam Anchor must be supervised by a Competent Person<sup>1</sup>. The installation must be certified by a Qualified Person<sup>2</sup> as meeting the criteria for a Certified Anchorage, or that it is capable of supporting the potential forces that could be encountered during a fall.

- 3.1 PLANNING:** Plan your fall protection system prior to installation of the Sliding Beam Anchor. Account for all factors that may affect your safety before, during and after a fall. Consider all requirements, limitations and specifications defined in Section 2 and Table 1.

**End Stops:** End Stops, meeting the Anchorage Strength requirements of Table 1, must be present at both ends of the beam. If the beam is sloped or vertical, the Sliding Beam Anchor must be next to the lower End Stop to prevent the Sliding Beam Anchor from moving in a fall.

- 3.2 INSTALLING THE SLIDING BEAM ANCHOR:** The Sliding Beam Anchor can be installed on beams meeting the anchorage requirements specified in Table 1. See Figure 1 for the allowable Beam Flange Width (A) and Thickness (B) for each Sliding Beam Anchor model. The Sliding Beam Anchor can be Top Mounted (A), Bottom Mounted (B), or Side Mounted (C or D) on the beam (see Figure 7). Figure 8 illustrates installation of the Sliding Beam Anchor. To install the Sliding Beam Anchor:

1. Press the Tab Lock Release on each End Hook, adjust the End Hooks so they fit over the Beam Flange with the Connector Ring centered between the End Hooks, and then release the Tab Lock Release.
2. Position the Sliding Beam Anchor on the Beam Flange with the Connector Ring centered on the beam. Slide the End Hooks inward until tight on the Beam Flange.
3. With the Tab Locks in the locked position, move the End Hooks inward or outward slightly to ensure the locking pawls are fully engaged with the bar teeth.

**End Hook Gap:** Total gap between the End Hooks and the Beam Flange must not be greater than 14.3 mm (9/16 in). See Figure 1.

4. Inspect your installation to confirm that the Sliding Beam Anchor cannot come off the beam at any point along the intended path of movement or at beam joints or ends. Joints between beam sections must be flush with a maximum gap of 12.7 mm (1/2 in).

### 4.0 USE

- 4.1 BEFORE EACH USE:** Verify that your work area and Personal Fall Arrest System (PFAS) meet all criteria defined in Section 2 and a formal Rescue Plan is in place. Inspect the Sliding Beam Anchor per the 'User' inspection points defined on the "Inspection and Maintenance Log" (Table 2). If inspection reveals an unsafe or defective condition, do not use the system. Remove the system from service and destroy, or contact 3M regarding replacement or repair.

- 4.2 FALL ARREST CONNECTIONS:** The Sliding Beam Anchor is used with a Full Body Harness and Energy Absorbing Lanyard or Self-Retracting Device (SRD). Figure 9 illustrates connection of the Lanyard (A) or SRD (B) between the Harness and Sliding Beam Anchor. Connect the Lanyard or SRD between the D-Ring on the Sliding Beam Anchor and the back Dorsal D-Ring on the Harness as instructed in the instructions included with the Lanyard or SRD.

### 5.0 INSPECTION

- 5.1 INSPECTION FREQUENCY:** The Sliding Beam Anchor must be inspected at the intervals defined in Section 1. Inspection procedures are described in the "Inspection and Maintenance Log" (Table 2). Inspect all other components of the Fall Protection System per the frequencies and procedures defined in the manufacturer's instructions.

Extreme working conditions (harsh environments, prolonged use, etc.) may require increasing the frequency of inspections.

Sliding Beam Anchors are equipped with a Radio Frequency Identification (RFID) Tag. The RFID Tag can be used in conjunction with a Handheld Reading Device to simplify inspection and inventory control and provide records for your fall protection equipment.

- 5.2 DEFECTS:** If inspection reveals an unsafe or defective condition, remove the Sliding Beam Anchor from service immediately and contact 3M regarding replacement or repair. Do not attempt to repair the Fall Arrest System.

**Authorized Repairs Only:** Only 3M or parties authorized in writing may make repairs to this equipment.

- 5.3 PRODUCT LIFE:** The functional life of the Fall Arrest System is determined by work conditions and maintenance. As long as the product passes inspection criteria, it may remain in service.

**1 Competent Person:** One who is capable of identifying existing and predictable hazards in the surroundings or working conditions which are unsanitary, hazardous, or dangerous to employees, and who has authorization to take prompt corrective measures to eliminate them.

**2 Qualified Person:** An individual with a recognized degree or professional certificate, and extensive experience in Fall Protection. This individual must be capable of design, analysis, evaluation, and specification in Fall Protection.

## 6.0 MAINTENANCE, SERVICING, STORAGE

**6.1 CLEANING:** Periodically clean the Sliding Beam Anchor's metal components with a soft brush, warm water, and a mild soap solution. Ensure parts are thoroughly rinsed with clean water.

**6.2 WEAR PAD REMOVAL AND INSTALLATION:** The Wear Pads are the only user serviceable component of the Sliding Beam Anchor. Figure 10 illustrates replacement of the Wear Pads. If inspection reveals cracked or worn pads, perform the following steps to remove the old pads and install the new replacements pads.

1. Insert a flat head screwdriver between the top of the plastic Wear Pad and the End Clamp.
2. Slide the screwdriver around to the front of the Wear Pad and pry out the end. Insert the screwdriver between the bottom of plastic Wear Pad and the End Clamp. Slide the screwdriver around to the front of the Wear Pad and pry out the end.
3. Pry out the bottom of the Wear Pad and remove it from the End Clamp. Dispose the old Wear Pad.
4. Slide the new Wear Pad in the End Clamp. Apply pressure to snap the new Wear Pad into place.

**6.3 SERVICE:** Only 3M or parties authorized in writing by 3M may make repairs to this equipment. If the Sliding Beam Anchor has been subject to fall force, it must be removed from service immediately, clearly marked "DO NOT USE", and then destroyed. If inspection reveals an unsafe or defective conditions, remove the system from service and contact 3M regarding replacement or repair.

**6.4 STORAGE AND TRANSPORT:** When not in use, store and transport the Sliding Beam Anchor and associated fall protection equipment in a cool, dry, clean environment out of direct sunlight. Avoid areas where chemical vapors may exist. Thoroughly inspect components after extended storage.

## 7.0 LABELS

Figure 11 illustrates labels on the Sliding Beam Anchor. Labels must be replaced if they are not fully legible. Information provided on each label is as follows:

A	RFID Tag
B	Warning Label: 1) Inspect the Sliding Beam Anchor. 2) Do not repair. This product must be serviced by an authorized service center. 3) Temperature range -40°C - +60°C. 4) Acceptable installation locations and working ranges. Only install on vertical and horizontal beams with end stops. 5) Store Sliding Beam Anchors in a cool, dry, clean environment; out of direct sunlight. 6) Do not remove the labels from the Sliding Beam Anchor. 7a) Do not use on beams without end stops. 7b) Correct installation on beams with end stops. 8a) Install on structures rated for 12kN or more. 8b) Do not use on structures rated less than 12 kN. 9) Do not use on slanted beams.
C	10) Read the product instructions. 11) Maximum capacity 140 kg (310 lbs). 12) Notified Body ID. 13) Year and month manufactured. 14) Lot number. 15) Model number. 16) Acceptable installation locations and working ranges. Install on structures rated for 12kN or more. 17) Inspection log. 18) Inspection date. 19) Inspector initials. 20) Sliding Beam Anchor model number, allowed beam flange widths, and allowed beam flange thicknesses.

**Table 2 – Inspection and Maintenance Log**

<b>Inspection Date:</b>		<b>Inspected By:</b>	
<b>Components:</b>	<b>Inspection:</b> (See Section 1 for <i>Inspection Frequency</i> )	<b>User</b>	<b>Competent Person<sup>1</sup></b>
Sliding Beam Anchor (Figure 2)	Inspect the Sliding Beam Anchor damage: Look for cracks, dents, or deformities.	<input type="checkbox"/>	<input type="checkbox"/>
	Inspect for bending or wear on the Support Tube (A), Connector Ring (B), Connector Ring Bracket, Hook Ends (C), and Tab Locks (D).	<input type="checkbox"/>	<input type="checkbox"/>
	Inspect for any missing parts (End Rivets, Center Screw, etc.).	<input type="checkbox"/>	<input type="checkbox"/>
	Inspect the entire unit for corrosion.	<input type="checkbox"/>	<input type="checkbox"/>
	Inspect the wear pads to ensure they have not worn to a point where the hook ends will be in direct contact with the beam flange. Replace worn or cracked wear pads. (see Wear Pad Removal and Installation)	<input type="checkbox"/>	<input type="checkbox"/>
	Inspect the Support Bar (A) Teeth for wear or damage. Ensure that the locking pawl will fully engage each tooth automatically upon release of the Tab Locks (D).	<input type="checkbox"/>	<input type="checkbox"/>
	Ensure the Tab Locks (D) operate freely, spring back fully, and automatically engage with the Support Bar (A) Teeth.	<input type="checkbox"/>	<input type="checkbox"/>
Labels (Figure 11)	Verify that all labels are present, securely attached and are legible (see ' <i>Labels</i> ')	<input type="checkbox"/>	<input type="checkbox"/>
PFAS and Other Equipment	Additional Personal Fall Arrest System (PFAS) equipment (harness, SRL, etc) that are used with the Anchorage System should be installed and inspected per the manufacturer's instructions.	<input type="checkbox"/>	<input type="checkbox"/>

<b>Serial Number(s):</b>	<b>Date Purchased:</b>
<b>Model Number:</b>	<b>Date of First Use:</b>
<b>Corrective Action/Maintenance:</b>	Approved By:
	Date:
<b>Corrective Action/Maintenance:</b>	Approved By:
	Date:
<b>Corrective Action/Maintenance:</b>	Approved By:
	Date:
<b>Corrective Action/Maintenance:</b>	Approved By:
	Date:
<b>Corrective Action/Maintenance:</b>	Approved By:
	Date:
<b>Corrective Action/Maintenance:</b>	Approved By:
	Date:
<b>Corrective Action/Maintenance:</b>	Approved By:
	Date:
<b>Corrective Action/Maintenance:</b>	Approved By:
	Date:
<b>Corrective Action/Maintenance:</b>	Approved By:
	Date:
<b>Corrective Action/Maintenance:</b>	Approved By:
	Date:

**1 Competent Person:** One who is capable of identifying existing and predictable hazards in the surroundings or working conditions which are unsanitary, hazardous, or dangerous to employees, and who has authorization to take prompt corrective measures to eliminate them.

## SIKKERHEDSOPLYSNINGER

Læs alle sikkerhedsoplysninger i denne brugsanvisning, og sørg for, at du forstår og følger disse, før du bruger denne forankringskonnektor. **UNDLADELSE HERAF KAN MEDFØRE ALVORLIG PERSONSKADE ELLER DØDSFALD.**

Disse anvisninger skal udleveres til brugeren af udstyret. Opbevar denne vejledning til senere brug.

### Anvendelsesformål:

Denne forankringskonnektor er beregnet til brug som en del af et komplet personligt faldsikringssystem.

Enhver anden brug end denne, herunder, men ikke begrænset til, materialehåndtering, rekreative eller sportslige aktiviteter eller andre aktiviteter, der ikke er beskrevet i brugervejledningen, er ikke godkendt af 3M og kan medføre alvorlig skade eller død.

Denne anordning må kun benyttes af uddannede brugere til anvendelse på arbejdspladsen.

### ADVARSEL

Denne forankringskonnektor er en del af et personligt faldsikringssystem. Det forventes, at alle brugere er fuldt uddannet i sikker installation og drift af deres personlige faldsikringssystem. **Misbrug af denne anordning kan medføre alvorlig skade eller død.** Læs og følg denne brugervejledning samt alle producentens anbefalinger, tal med din vejleder eller kontakt 3M's tekniske service vedrørende korrekt valg, drift, installation, vedligeholdelse og servicering.

- **For at reducere risiciene ved at arbejde med en forankringskonnektor, som, hvis de ikke undgås, kan medføre alvorlig skade eller død, skal du:**
  - Efterse anordningen før hver brug, mindst én gang om året og efter et eventuelt fald. Efterse systemet i overensstemmelse med brugervejledningen.
  - Hvis eftersynet afslører usikre eller defekte tilstande, skal udstyret tages ud af drift og repareres eller udskiftes i overensstemmelse med brugervejledningen.
  - Enhver anordning, som har været udsat for faldstandsning eller kraftpåvirkninger, skal straks tages ud af brug og destrueres.
  - Anordningen må kun monteres på de anviste substrater eller på strukturer oplyst i brugervejledningen. Installationer og anvendelse ud over denne instruktion skal godkendes skriftligt af 3M Fall Protection.
  - Underlaget eller strukturen, hvortil forankringsforbindelsen fastgøres, skal kunne klare de statiske belastninger, der er specificeret for forankringen i de i brugervejledningen tilladte retninger.
  - Man må kun tilslutte andre faldsikringsundersystemer til det angivne forankringsforbindelsespunkt på anordningen.
  - Forud for boring eller fastgørelse skal det sikres, at ingen elledninger, gasledninger eller andre kritiske indkapslede systemer kommer i kontakt med boret eller anordningen.
  - Sørg for, at faldsikringssystemer/-undersystemer, der er samlet fra komponenter, der er fremstillet af forskellige fabrikanter, er kompatible og opfylder kravene i relevante standarder, inklusive ANSI Z359 eller andre gældende regulativer, standarder for eller krav til faldbelyttelse. Opsøg altid en kompetent eller kvalificeret person, før du anvender disse systemer.
- **For at reducere risici i forbindelse med højdearbejde, som, hvis de ikke undgås, kan medføre alvorlig skade eller død:**
  - Sørg for, at dit helbred og din kondition gør dig i stand til sikkert at kunne modstå alle de kræfter, der er forbundet med højdearbejde. Rådfør dig med din læge, hvis du har spørgsmål vedrørende din evne til at bruge dette udstyr.
  - Overstig aldrig den tilladte kapacitet for dit faldsikringsudstyr.
  - Overstig aldrig den maksimale faldafstand fra dit faldsikringsudstyr.
  - Brug ikke faldsikringsudstyr, som ikke virker ved forudgående brug eller planlagte inspektioner, eller hvis du er bekymret for udstyrets brug eller egnethed til det tilsigtede formål. Kontakt 3M's tekniske service med eventuelle spørgsmål.
  - Kombinationer med visse delsystemer og komponenter kan forstyrre driften af dette udstyr. Brug kun kompatible forbindelser. Rådfør dig med 3M, før du bruger dette udstyr sammen med andre komponenter eller delsystemer end dem, der er beskrevet i brugervejledningen.
  - Vær særligt forsigtig, når du arbejder i nærheden af maskiner, som bevæger sig (f.eks. øverste drev på olieplatforme), elektrisk kortslutning, ekstreme temperaturer, kemiske farer, eksplosive eller giftige gasser, skarpe kanter eller under overliggende materialer, som kan falde ned på dig eller dit faldsikringsudstyr.
  - Brug Arc Flash eller Hot Works (dvs. passende beskyttelses)-anordninger, når du arbejder i miljøer med ekstrem varme.
  - Undgå overflader og genstande, som kan beskadige brugeren eller udstyret.
  - Sørg for tilstrækkelig faldafstand ved højdearbejde.
  - Faldsikringsudstyret må aldrig modificeres eller ændres. Kun 3M eller parter, som 3M skriftligt har bemyndiget, må foretage reparationer på udstyret.
  - Før brug af faldsikringsudstyret skal du sørge for at have en redningsplan, som muliggør hurtig redning i tilfælde af fald.
  - Hvis der sker et fald, søges straks lægehjælp for den faldne arbejdstager.
  - Brug ikke et kropsbælte til anvendelser, der involverer faldsikring. Må kun benyttes med komplet kropssele.
  - Svingfald kan minimeres ved så vidt muligt at arbejde lige under forankringspunktet.
  - Hvis der øves med denne anordning, skal der benyttes sekundært faldbeskyttelsesudstyr på en sådan måde, at lærlingen ikke udsættes for utilsigtet faldrisiko.
  - Brug altid passende personlige værnemidler under installation, brug eller inspektion af enheden/systemet.

*Inden udstyret monteres og tages i brug, skal produktidentifikationsoplysningerne fra ID-mærkatene noteres i inspektions- og vedligeholdelsesloggen (tabel 2) på bagsiden af denne manual.*

## PRODUKTBESKRIVELSE:

Figur 1 viser 3M™ DBI-SALA™ glidende I-profilanker. Det glidende I-profilanker er en forankringskonnektor til et personligt faldsikringssystem beregnet til fastgøring til en I-profilbjælke.

Figur 2 viser det glidende I-profilankers komponenter. Ref. tabel 1 – Komponentspecifikationer. Det glidende I-profilanker består af en støttebjælke med hak (A) med en svingende konnektorring (B) og justerbare tilkoblingshager (C), der kan hages fast over alle kanter på en profilflig med udløsningsflige (D), der griber ind i hakkene på støttebjælken. Det glidende I-profilanker glider jævnt langs bjælken på slidpuder (E). Et taljereb eller en selvoprollende enhed (SRD) er fastgjort mellem den svingende konnektorring på det glidende I-profilanker og det passende fastgørelseselement på brugerens helkropssele.

**Tabel 1 – Specifikationer**

Systemspecifikationer:			
<b>Kapacitet:</b>	1 person med en samlet vægt (tøj, værktøj osv.) på højst: 140 kg (310 lb) for EN 795.		
<b>Forankringsstyrke:</b>	Den påkrævede forankringsstyrke afhænger af anvendelsen: <b>Forankringsstruktur:</b> Strukturen, som forankringskonnektoren er monteret på, skal kunne holde til en kontinuerlig belastning i den/de forventede belastningsretning(er). Hver placering af fast forankringspunkt skal kunne holde til følgende værdier: <table border="1" data-bbox="472 751 1000 783"> <tr> <td><b>EN 795</b></td> <td>12 kN (2.698 lb)</td> </tr> </table>	<b>EN 795</b>	12 kN (2.698 lb)
<b>EN 795</b>	12 kN (2.698 lb)		
<b>Driftstemperatur</b>	-40 °C (-40°F) Minimal driftstemperatur		
<b>Forankringskonnektorens brudstyrke:</b>	22 kN (5.000 lb) Minimal brudstyrke		
<b>Dimensioner:</b>	Se figur 1 for dimensionerne af hver enkelt glidende I-profilankermodel.		
<b>Vægt:</b>	Se figur 1 for vægten af hver enkelt glidende I-profilankermodel.		
Komponentspecifikationer:			
Figur 2 Reference	Komponent	Materialer	
Ⓐ	Støttebjælke	Aluminiumslegering	
Ⓑ	Konnektorring	Stållegering	
Ⓒ	Tilkoblingshager	Aluminiumslegering	
Ⓓ	Udløsningsflige	Stållegering	
Ⓔ	Slidpuder	Nylon	

## 1.0 PRODUKTANVENDELSE

- 1.1 FORMÅL:** Forankringskonnektorer er designet til at tilvejebringe forankringspunkter til faldsikringsystemer<sup>1</sup> eller fastholdelsessystemer<sup>2</sup>: Fastspænding, arbejdspositionering, personhejsning, redning osv.

**Kun faldsikring:** Denne forankringskonnektor er til tilslutning af faldsikringsudstyr. Brug ikke løfteudstyr til denne forankringskonnektor.

- 1.2 STANDARDER:** Din forankringskonnektor lever op til de nationale eller regionale standarder, der er angivet på forsiden af denne brugsanvisning. Hvis dette produkt videresælges uden for det oprindelige modtagerland, skal den person, der videresælger, sørge for vejledning i brug, vedligeholdelse, regelmæssig inspektion og reparation på sproget i det land, hvor produktet skal bruges.
- 1.3 OPSYN:** Brugen af dette udstyr skal foregå under opsyn af en kompetent person<sup>3</sup>.
- 1.4 UDDANNELSE:** Dette udstyr skal monteres og anvendes af personer, der har gennemgået træning i korrekt anvendelse af udstyret. Denne manual bør anvendes som en del af et medarbejdertræningsprogram som påkrævet af CE. Installatørerne og brugerne af dette udstyr har ansvaret for at sikre, at de er bekendte med denne vejledning, er trænet i rigtig vedligeholdelse og anvendelse af udstyret samt er bekendte med anvendelseskarakteristika, anvendelsesbegrænsninger og konsekvenserne af forkert anvendelse af udstyret.
- 1.5 REDNINGSPLAN:** Når dette udstyr og tilsluttede delsystemer anvendes, skal arbejdsgiveren have en redningsplan og midlerne til at implementere den til rådighed, og denne skal kommunikere planen til brugere, autoriserede personer<sup>4</sup> og reddere<sup>5</sup>. Det anbefales at have et redningshold på stedet. Reddere skal forsynes med udstyr og teknikker til gennemførelse af en vellykket redning. Træning skal gennemføres med jævne mellemrum for at sikre, at redderne har de fornødne færdigheder.
- 1.6 INSPEKTIONSHYPPIGHED:** Forankringskonnektoren skal inspiceres af brugeren før hver brug samt af en anden kvalificeret person forskellig fra brugeren mindst en gang om året.<sup>6</sup> Inspektionsprocedurer er beskrevet i "Inspektions- og vedligeholdelsesloggen". Resultaterne af hver inspektion foretaget af den kvalificerede person skal noteres i kopier af "Inspektions- og vedligeholdelsesloggen".
- 1.7 EFTER ET FALD:** Hvis forankringskonnektoren har været udsat for faldstandsning eller kraftpåvirkninger, skal den straks tages ud af brug, mærkes "MÅ IKKE BRUGES" og så destrueres.

## 2.0 SYSTEMKRAV

- 2.1 FORANKRING:** Kravene til forankring varierer alt efter faldsikringsanvendelsen. Strukturen, på hvilken forankringskonnektoren placeres eller monteres, skal opfylde forankringsspecifikationerne, der er defineret i tabel 1.
- 2.2 PERSONLIGT FALDSIKRINGSSYSTEM:** Figur 1 viser anvendelsen af forankringskonnektoren. Personlige faldsikringsystemer (PFAS), der bruges med systemet, skal overholde gældende faldsikringsstandarder, regler og krav. PFAS'en skal have helkropssele og begrænse standsekraft til følgende værdier:

	Maksimal standsekraft	Frit fald
PFAS med stødabsorberende sikkerhedslinje	6 kN (1.350 lb)	Se vejledningen, som fulgte med dit taljereb eller SRD for begrænsninger for frit fald.
PFAS med selvoprullende enhed (SRD)	6 kN (1.350 lb)	

- 2.3 FALDVEJ OG SRD-LÅSEHASTIGHED:** Der kræves uhindret faldlinje for at sikre låsning af en SRD. Situationer, som ikke muliggør en uhindret faldvej, bør undgås. Arbejde i snævre eller trange områder vil muligvis ikke lade kroppen nå en tilstrækkelig hastighed til, at SRD'en låser i tilfælde af et fald. Arbejde på langsomt rykkende materialer såsom sand eller korn giver muligvis ikke tilstrækkelig hastighed til, at SRD'en låser.
- 2.4 FARE:** Brug af dette udstyr i områder med miljøfarer kan kræve yderligere sikkerhedsforanstaltninger for at undgå personskade eller beskadigelse af udstyret. Faremomenter kan eksempelvis omfatte: varme, kemikalier, korrosive miljøer, højspændingsledninger, eksplosive eller giftige gasser, kørende maskineri, skarpe kanter eller overliggende materialer, som kan falde ned og ramme brugeren eller faldsikringsystemet.
- 2.5 FALDAFSTAND:** Figur 3 illustrerer komponenterne i faldstandsning. Der skal være tilstrækkelig faldafstand under brugeren til, at et evt. fald standses, før brugeren rammer jorden eller nogen anden forhindring. Faldafstand påvirkes af en række faktorer, herunder: Forankringsplacering, (A) taljerebets længde, (B) taljerebets bremseafstand eller SRD maksimal standsningsafstand, (C) selens strækkevne og længde og sætning af D-Ringen/konnektoren. Se vejledningen, som fulgte med dit faldsikringsdelsystem for specifikke oplysninger om beregning af faldafstand.

**1 Faldsikringsystem:** En samling af faldsikringsudstyr beregnet til at standse frit fald.

**2 Fastholdelsessystem:** En samling af faldsikringsudstyr beregnet til at forhindre, at en persons tyngdepunkt bliver udsat for faldrisici.

**3 Kvalificeret person:** En person, som er i stand til at identificere eksisterende og forudsigelige risici i omgivelserne eller i forhold til arbejdsbetingelser, som er usunde, skadelige eller farlige for medarbejderne, og som har bemyndigelse til at træffe øjeblikkelige korrigerende forholdsregler for at eliminere dem.

**4 Autoriseret person:** I henhold til Z359-standarderne en person, der er udpeget af arbejdsgiveren til at udføre opgaver på en beliggenhed, hvor personen vil være udsat for en faldrisiko.

**5 Redder:** Person eller personer, udover den person, der bliver reddet, som handler for at foretage en assisteret undsætning ved brug af et redningssystem.

**6 Inspektionshyppighed:** Ekstreme arbejdsforhold (barsk miljø, langvarig brug osv.) kan gøre det nødvendigt at øge den kvalificerede persons inspektionshyppighed.

**2.6 SVINGFALD:** Svingfald sker, når forankringspunktet ikke befinder sig umiddelbart over punktet, hvor faldet sker (se Figur 4). Den kraft der udøves, når et emne rammes i et svingfald, kan forårsage alvorlig personskade eller død. Svingfald kan minimeres ved så vidt muligt at arbejde lige under forankringspunktet. Tillad ikke muligheden for svingfald, hvis det kan medføre personskade. Sving vil øge det frirum, der er nødvendigt, når der anvendes en selvopruhlende anordning eller et andet forbundet delsystem med liner af variabel længde.

**2.7 KOMPONENTKOMPATIBILITET:** 3M-udstyr er kun beregnet til brug med 3M-godkendte komponenter og delsystemer. Erstatninger eller udskiftninger med ikke-godkendte komponenter eller delsystemer kan bringe udstyrets kompatibilitet i fare og kan påvirke det komplette systems sikkerhed og pålidelighed.

**2.8 KONNEKTORERKOMPATIBILITET:** Konnektorer betragtes som kompatible med forbindelsesanordninger, når de er konstrueret til at fungere sammen på en sådan måde, at størrelserne og formerne ikke får deres ledmekanismer til utilsigtet at åbne sig, uanset hvordan de bliver vendt. Kontakt 3M, hvis du har spørgsmål vedrørende kompatibilitet.

Konnektorer skal være i overensstemmelse med EN 362. Konnektorer skal være kompatible med forankringen og andre systemkomponenter. Anvend ikke udstyr, der ikke er kompatibelt. Ikke kompatible konnektorer kan blive adskilt ved et uheld (se figur 5). Konnektorer skal være kompatible med hensyn til størrelse, form og styrke. Hvis tilslutningselementet, som en snapkrog eller karabinhage er fastgjort til, er for lille eller har en uregelmæssig form, kan der opstå en situation, hvor tilslutningselementet belaster snapkrogens eller karabinhagens led (A). Denne belastning kan medføre, at leddet åbnes (B), således at snapkrogen eller karabinhagen løsriver fra forbindelsespunktet (C).

**2.9 FORBINDELSER:** Snapkroge og karabinhager anvendt med dette udstyr skal være selvlåsende. Sørg for, at alle forbindelser er kompatible i størrelse, form og styrke. Anvend ikke udstyr, der ikke er kompatibelt. Sørg for, at alle konnektorer er helt lukkede og låste.

3M-konnektorer (snapkroge og karabinhager) er udelukkende konstrueret til brug som specificeret i hvert produkts brugsanvisning. Se figur 6 for eksempler på forkerte sammenslutninger. Tilslut ikke snapkroge og karabinhager:

- A. Til en D-ring, som en anden konnektor er fastgjort til.
- B. På en måde, som vil medføre belastning på leddet. Store snapkroge med halsåbning bør ikke forbindes til en D-ring i standardstørrelse eller til lignende genstande, der vil medføre en belastning på leddet, hvis krogen eller D-ringen vrides eller drejes, medmindre snapkrogen er udrustet med en 16 kN-port (3.600 lb). Kontrollér mærkatet på din snapkrog for at bekræfte, at den er egnet til din anvendelse.
- C. På en forkert måde, hvor dele, som stikker ud fra snapkrogen eller karabinhagen, griber fat i forankringen, og uden visuel bekræftelse synes at være korrekt fastgjort til forankringspunktet.
- D. Til hinanden.
- E. Direkte til selen, taljerebet eller forankringslinen (medmindre producentens vejledning for både taljereb og konnektor specifikt tillader en sådan tilslutning).
- F. Til en genstand med en form eller størrelse, som gør, at snapkrogen eller karabinhagen ikke vil lukke og låse, eller som kan få linen til at rulle sig ud.
- G. På en måde, som forhindrer konnektoren i at flugte korrekt under belastning.



### 3.0 MONTERING

*Monteringen af DBI-SALA glidende I-profilanker skal overvåges af en kvalificeret person<sup>1</sup>. Monteringen skal certificeres af en kvalificeret person<sup>2</sup>, der opfylder kriterierne med hensyn til autoriserede forankringer, eller er i stand til at optage de potentielle belastninger, der kan opstå under et fald.*

**3.1 PLANLÆGNING:** Planlæg dit faldsikringsystem, før monteringen af det glidende I-profilanker. Tag højde for alle faktorer, der kan påvirke din sikkerhed inden, under og efter et fald. Overvej alle krav, begrænsninger og specifikationer, der er angivet i afsnit 2 og tabel 1.

**Endestop:** *Der skal være endestop, der opfylder kravene til forankringsstyrke i tabel 1, i begge ender af bjælken. Hvis bjælken skrånner eller er lodret, skal det glidende I-profilanker sidde ved siden af det nederste endestop for at forhindre, at det glidende I-profilanker flytter sig under fald.*

**3.2 MONTERING AF DET GLIDENDE I-PROFILANKER:** Det glidende I-profilanker kan monteres på bjælker, som opfylder forankringskravene specificeret i tabel 1. Se figur 1 for den tilladte profilfligsbredde (A) og -tykkelse (B) for hver enkelt glidende I-profilankermodel. Det glidende I-profilanker kan monteres oven på bjælken (A), under bjælken (B) eller på siden af bjælken (C eller D) (se figur 7). Figur 8 viser monteringen af det glidende I-profilanker. Sådan monteres det glidende I-profilanker:

1. Tryk på udløsningsfligen på begge tilkoblingshager, justér tilkoblingshagerne så de passer over profilfligen med konnektorringen centreret mellem tilkoblingshager, og slip så udløsningsfligen.
2. Anbring det glidende I-profilanker på profilfligen med konnektorringen centreret på bjælken. Skub tilkoblingshagerne indad, indtil de sidder stramt på profilfligen.
3. Flyt tilkoblingshagerne en smule indad eller udad for at sikre, at spærrehagerne er gået helt i indgreb med tænderne på stangen.

**Afstand til tilkoblingshagerne:** *Den samlede afstand mellem tilkoblingshagerne og profilfligen må ikke være større end 14,3 mm (9/16 tomme). Se figur 1.*

4. Inspicér monteringen for at bekræfte at det glidende I-profilanker ikke kan gøre sig fri af bjælken på noget tidspunkt langs den tilsigtede bevægelsesvej eller ved bjælkens sammenføjninger eller ender. Sammenføjningerne mellem bjælkens dele skal flugte og have en maksimal afstand på 12,7 cm (1/2 tomme).

### 4.0 BRUG

**4.1 FØR HVER BRUG:** Verificér at dit arbejdsområde og dit Personal Fall Arrest System (PFAS) overholder alle kriterier i afsnit 2 og at der forefindes en formaliseret nødplan. Inspicér det glidende I-profilanker i henhold til "Bruger"-inspektionspunkterne defineret i "Inspektions- og vedligeholdelseslog" (tabel 2). Brug ikke systemet, hvis inspektionen afslører en usikker eller defekt tilstand. Tag systemet ud af brug og ødelæg det, eller kontakt 3M med henblik på udskiftning eller reparation.

**4.2 FALDSIKRINGSFORBINDELSER:** Det glidende I-profilanker bruges med en helkropssele og et energiabsorberende taljereb eller en selvopruddende enhed (SRD). Figur 9 viser forbindelsen af taljerebet (A) eller SRD'en (B) mellem selen og det glidende I-profilanker. Fastgør taljerebet eller SRD'en mellem D-ringen på det glidende I-profilanker og den bageste D-ring på ryggen af selen, som anført i brugsanvisningen, der fulgte med taljerebet eller SRD'en.

### 5.0 INSPEKTION

**5.1 INSPEKTIONSHYPPIGHED:** Det glidende I-profilanker skal inspiceres efter de intervaller, der er anført i afsnit 1. Inspektionsprocedurer er beskrevet i "Inspektions- og vedligeholdelsesloggen" (tabel 2). Inspicér alle andre komponenter i faldsikringssystemet med den hyppighed og efter de procedurer, som er defineret i producentens vejledning.

*Ekstreme arbejdsforhold (bark miljø, langvarig brug osv.) kan gøre det nødvendigt at øge inspektionshyppigheden.*

*Glidende I-profilankre er forsynede med radiofrekvensidentifikationsmærkater (RFID). RFID-mærkatet kan bruges sammen med et håndholdt aflæsningsapparat og en web-baseret portal til at forenkle inspektion og lagerstyring og give relevant dokumentation for dit faldsikringsudstyr.*

**5.2 DEFEKTER:** Hvis en inspektion afslører usikre eller fejlbehæftede tilstande, skal det glidende I-profilanker tages ud af drift omgående, og 3M skal kontaktes med henblik på udskiftning eller reparation. Prøv ikke på at reparere faldsikringsystemet.

**Der må kun udføres autoriserede reparationer:** *Kun 3M eller parter med skriftlig bemyndigelse må foretage reparationer på dette udstyr.*

**5.3 PRODUKTETS LEVETID:** Den driftsmæssige levetid for faldsikringsystemer bestemmes af arbejdsbetingelserne og den konkrete vedligeholdelse. Så længe produktet godkendes ved inspektionen, må det fortsat bruges.

**1 Kvalificeret person:** *En person, som er i stand til at identificere eksisterende og forudsigelige risici i omgivelserne eller i forhold til arbejdsbetingelser, som er usunde, skadelige eller farlige for medarbejderne, og som har bemyndigelse til at træffe øjeblikkelige korrigerende forholdsregler for at eliminere dem.*

**2 Kvalificeret person:** *En person med en anerkendt grad eller uddannelsesbevis og med omfattende erfaring med faldsikring. Denne person skal kunne designe, analysere, evaluere og specificere faldsikring.*



## 6.0 VEDLIGEHOLDELSE, SERVICE, OPBEVARING

- 6.1 RENGØRING:** Rens med jævne mellemrum det glidende I-profilankers metalkomponenter med en blød børste og varmt vand med en mild sæbeopløsning. Sørg for, at delene bliver grundigt skyllet med rent vand.
- 6.2 MONTERING OG AFMONTERING AF SLIDPUDER:** Slidpuderne er den eneste komponent på det glidende I-profilanker, der kan serviceres af brugeren. Figur 10 viser udskiftning af slidpuderne. Hvis der under inspektionen findes revnede eller slidte puder, skal du udføre følgende trin for at fjerne de gamle puder og montere de nye udskiftningspuder.
1. Sæt en flad skruetrækker ind mellem toppen af plastikslidpuden og endeklemmen.
  2. Før skruetrækkeren rundt om og frem til forsiden af slidpuden og lirk enden ud. Sæt skruetrækkeren ind mellem bunden af plastikslidpuden og endeklemmen. Før skruetrækkeren rundt om og frem til forsiden af slidpuden og lirk enden ud.
  3. Lirk bunden af slidpuden ud og fjern den fra endeklemmen. Bortskaf den gamle slidpude.
  4. Før den nye slidpude ind i endeklemmen. Tryk den nye slidpude ind, indtil den går i hak.
- 6.3 SERVICERING:** Kun 3M eller parter med skriftlig bemyndigelse fra 3M må foretage reparationer på dette udstyr. Hvis det glidende I-profilanker har været udsat for kraftpåvirkninger fra fald, skal det straks tages ud af brug, mærkes "MÅ IKKE BRUGES" og så destrueres. Hvis en inspektion afslører usikre eller fejlbehæftede tilstande, skal systemet tages ud af brug omgående, og 3M skal kontaktes med henblik på udskiftning eller reparation.
- 6.4 OPBEVARING OG TRANSPORT:** Når det ikke bruges, skal det glidende I-profilanker og det tilhørende udstyr opbevares og transporteres på et tørt, køligt, rent sted, hvor det ikke udsættes for direkte sollys. Undgå steder, hvor der kan være kemikaliedampe. Inspicér komponenterne efter længere tids opbevaring.

## 7.0 MÆRKATER

Figur 11 viser mærkater på det glidende I-profilanker. Mærkater skal udskiftes, hvis de ikke er helt læselige. Hver mærkat har følgende information:

Ⓐ	RFID-mærkat
Ⓑ	Advarselmærkat: 1) Inspicér det glidende I-profilanker. 2) Må ikke repareres. Dette produkt skal serviceres af et autoriseret servicecenter. 3) Temperaturområde mellem -40 °C og +60 °C. 4) Godkendte monteringssteder og arbejdsområder. Må kun monteres på lodrette og vandrette bjælker med endestop. 5) Opbevar glidende I-profilankre på et køligt, tørt og rent sted uden direkte sollys. 6) Fjern ikke mærkaterne fra det glidende I-profilanker. 7a) Må ikke bruges på bjælker uden endestop. 7a) Korrekt montering på bjælker med endestop. 8a) Montér på konstruktioner, der er godkendt til 12kN eller mere. 8b) Brug ikke på konstruktioner, der er godkendt til mindre end 12 kN. 9) Brug ikke på skrånende bjælker.
Ⓒ	10) Læs produktanvisningerne. 11) Maks. kapacitet 140 kg (310 lb). 12) ID for bemyndiget organ. 13) Produktionsmåned og -år. 14) Partinummer. 15) Modelnummer. 16) Godkendte monteringssteder og arbejdsområder. Montér på konstruktioner, der er godkendt til 12kN eller mere. 17) Inspektionsjournal. 18) Inspektionsdato. 19) Inspektørens initialer. 20) Det glidende I-profilankers modelnummer, tilladte profilfligsbredder og tilladte profilfligstykkelser.

**Tabel 2 – Inspektions- og vedligeholdelseslog**

Inspektionsdato:		Inspiceret af:	
Komponenter:	Inspektion: (Se afsnit 1 for inspektionshyppigheden)	Bruger	Kvalificeret person <sup>1</sup>
Glidende I-profilanker (figur 2)	Inspicér glidende I-profilankeret for beskadigelser: Se efter revner, buler eller deformiteter.	<input type="checkbox"/>	<input type="checkbox"/>
	Inspicér for bøjning for eller slid på støttestang (A), konnektoring (B), konnektorens ringbeslag, tilkoblingshager (C) og udløsningsflige (D).	<input type="checkbox"/>	<input type="checkbox"/>
	Inspicér for eventuelle manglende dele (endenitter, midterskrue osv.).	<input type="checkbox"/>	<input type="checkbox"/>
	Inspicér hele enheden for rust.	<input type="checkbox"/>	<input type="checkbox"/>
	Inspicér slidpuderne for at sikre, at de ikke er blevet så nedslidte, at tilkoblingshagerne kommer i direkte kontakt med profilfligen. Udskift slidte eller revnede slidpuder. (se Montering og afmontering af slidpuder)	<input type="checkbox"/>	<input type="checkbox"/>
	Inspicér tænderne på støttestangen (A) for slid eller beskadigelse. Sørg for, at spærrehagen automatisk får helt fat i hver tand, når udløsningsfligene (D) slippes.	<input type="checkbox"/>	<input type="checkbox"/>
	Sørg for, at udløsningsfligene (D) kan bevæge sig frit og automatisk griber ind i tænderne på støttestangen (A).	<input type="checkbox"/>	<input type="checkbox"/>
Mærkater (figur 11)	Verificér at alle mærkater er sikkert på plads, og at de er læselige (se "Mærkater").	<input type="checkbox"/>	<input type="checkbox"/>
PFAS og andet udstyr	Ekstra udstyr til personlige faldsikringsystemer (PFAS) (seler, SRL etc.), som bruges med forankringsystemet, skal monteres og inspiceres i henhold til producentens anvisninger.	<input type="checkbox"/>	<input type="checkbox"/>

Serienummer/-numre:	Købsdato:
Modelnummer:	Dato for første brug:
<b>Korrigerende foranstaltning/Vedligeholdelse:</b>	Godkendt af:
	Dato:
<b>Korrigerende foranstaltning/Vedligeholdelse:</b>	Godkendt af:
	Dato:
<b>Korrigerende foranstaltning/Vedligeholdelse:</b>	Godkendt af:
	Dato:
<b>Korrigerende foranstaltning/Vedligeholdelse:</b>	Godkendt af:
	Dato:
<b>Korrigerende foranstaltning/Vedligeholdelse:</b>	Godkendt af:
	Dato:
<b>Korrigerende foranstaltning/Vedligeholdelse:</b>	Godkendt af:
	Dato:
<b>Korrigerende foranstaltning/Vedligeholdelse:</b>	Godkendt af:
	Dato:
<b>Korrigerende foranstaltning/Vedligeholdelse:</b>	Godkendt af:
	Dato:
<b>Korrigerende foranstaltning/Vedligeholdelse:</b>	Godkendt af:
	Dato:
<b>Korrigerende foranstaltning/Vedligeholdelse:</b>	Godkendt af:
	Dato:
<b>Korrigerende foranstaltning/Vedligeholdelse:</b>	Godkendt af:
	Dato:

**1 Kvalificeret person:** En person, som er i stand til at identificere eksisterende og forudsigelige risici i omgivelserne eller i forhold til arbejdsbetingelser, som er usunde, skadelige eller farlige for medarbejderne, og som har bemyndigelse til at træffe øjeblikkelige korrigerende forholdsregler for at eliminere dem.

## SICHERHEITSHINWEISE

Vor der Verwendung dieses Anschlaghilfsmittels müssen alle Sicherheitsinformationen in diesen Anweisungen gelesen, verstanden und befolgt werden. **NICHTBEACHTUNG KANN ERNSTE VERLETZUNGEN ODER DEN TOD ZUR FOLGE HABEN.**

Diese Anweisungen müssen dem Benutzer dieser Ausrüstung zur Verfügung gestellt werden. Bewahren Sie diese Anweisungen für den späteren Gebrauch auf.

### Verwendungszweck:

Dieses Anschlaghilfsmittel ist für den Gebrauch als Teil eines kompletten persönlichen Absturzsicherungssystems vorgesehen.

Die Verwendung in anderen Anwendungen, u. a. bei Materialtransport, Freizeitaktivitäten, Sportaktivitäten oder anderen, nicht in der Bedienungsanleitung beschriebenen Aktivitäten, wird nicht durch 3M genehmigt und kann zu schweren Verletzungen oder zum Tod führen.

Dieses Gerät darf nur von Personen verwendet werden, die in der Verwendung des Geräts am Arbeitsplatz geschult sind.



## WARNUNG

Dieses Anschlaghilfsmittel ist Teil eines persönlichen Absturzsicherungssystems. Es wird erwartet, dass alle Benutzer vollständig in dem sicheren Zusammenbau und der Bedienung ihres persönlichen Absturzsicherungssystems geschult werden. **Der unsachgemäße Gebrauch dieses Geräts kann ernste Verletzungen oder den Tod zur Folge haben.** Informationen zur richtigen Auswahl, Bedienung, Installation, Wartung und Instandhaltung sind der Bedienungsanleitung und den Herstellerempfehlungen zu entnehmen, oder wenden Sie sich an Ihren Vorgesetzten oder an den technischen Service von 3M.

- **Maßnahmen zur Reduzierung der Risiken (die, wenn sie nicht vermieden werden, zu schweren Verletzungen oder zum Tod führen können) im Zusammenhang mit einem Anschlaghilfsmittel:**
  - Überprüfen Sie das Gerät vor jeder Verwendung, mindestens aber jährlich und nach jedem Absturz. Überprüfen Sie gemäß den Benutzeranweisungen.
  - Falls bei der Überprüfung eine Gefahr oder ein Mängelzustand festgestellt wird, nehmen Sie das Gerät außer Betrieb und reparieren oder ersetzen Sie es gemäß den Benutzeranweisungen.
  - Jede Vorrichtung, die einer Absturzsicherung oder Aufprallkräften ausgesetzt war, muss sofort aus dem Betrieb genommen und zerstört werden.
  - Die Vorrichtung darf ausschließlich in den angegebenen Untergründen oder an den in der Benutzeranleitung aufgeführten Strukturen angebracht werden. Nicht in dieser Anleitung beschriebene Installationsweisen und Verwendungen müssen von 3M Fall Protection genehmigt werden.
  - Das Trägermaterial oder die Struktur, an die das Anschlaghilfsmittel befestigt ist, muss die statischen Belastungen tragen können, die für die Verankerung in den zulässigen Vorgaben angegeben sind. Diese sind in den Benutzeranweisungen zu finden.
  - Nur andere Untersysteme der Absturzsicherung mit dem gekennzeichneten Verankerungspunkt an der Vorrichtung verbinden.
  - Stellen Sie vor dem Bohren oder Befestigen sicher, dass keine elektrischen Leitungen, Gasleitungen oder sonstige kritische integrierte Systeme mit dem Bohrer oder dem Gerät in Kontakt geraten.
  - Stellen Sie sicher, dass Absturzsicherungssysteme/Teilsysteme, die aus Komponenten von verschiedenen Herstellern zusammengebaut werden, zueinander passen und den Anforderungen von geltenden Normen, einschließlich ANSI Z359 oder anderen gültigen Absturzsicherungsrichtlinien, Standards oder Anforderungen entsprechen. Ziehen Sie stets einen Sachkundigen oder eine qualifizierte Person zurate, bevor Sie diese Systeme verwenden.
- **Maßnahmen zur Reduzierung der Risiken (die, wenn sie nicht vermieden werden, zu schweren Verletzungen oder zum Tod führen können) im Zusammenhang mit Arbeiten in der Höhe:**
  - Stellen Sie sicher, dass Ihre gesundheitliche und körperliche Verfassung allen Kräften im Zusammenhang mit Arbeiten in der Höhe sicher standhalten kann. Konsultieren Sie Ihren Arzt, wenn Sie Fragen bezüglich Ihrer Fähigkeit haben, diese Ausrüstung zu verwenden.
  - Niemals die zulässige Belastbarkeit für Ihre Absturzsicherungsausrüstung überschreiten.
  - Niemals die maximale Strecke des Absturzes Ihrer Absturzsicherungsausrüstung überschreiten.
  - Verwenden Sie keine Absturzsicherungsausrüstung, die die Prüfung vor dem Einsatz oder andere geplante Prüfungen nicht bestanden haben, oder wenn Sie Bedenken über die Verwendung oder Tauglichkeit dieser Ausrüstung für Ihren Anwendungsbereich haben. Bei allen Fragen wenden Sie sich an den technischen Kundendienst von 3M.
  - Manche Kombinationen mit Teilsystemen und Komponenten können die Funktionsweise dieser Ausrüstung beeinträchtigen. Nur kompatible Verbindungselemente verwenden. Konsultieren Sie 3M, bevor Sie diese Ausrüstung in Kombination mit anderen Komponenten oder Untersystemen verwenden als denen, die in dieser Bedienungsanleitung beschrieben sind.
  - Bei der Arbeit in der Nähe von beweglichen Maschinen (z. B. Kraftdrehknopf von Ölplattformen), elektrischen Gefahrenherden, extremen Temperaturen, chemischen Gefahren, explosiven oder toxischen Gasen, scharfen Kanten oder unterhalb von über dem Kopf befindlichen Materialien, die auf Sie oder Ihre Absturzsicherung fallen könnten, besonders vorsichtig vorgehen.
  - Bei Arbeiten in Umgebungen mit hohen Temperaturen Vorrichtungen für Schweißlichtbogen oder Heißenarbeiten verwenden.
  - Oberflächen und Gegenstände vermeiden, die dem Benutzer oder der Ausrüstung schaden könnten.
  - Stellen Sie bei Arbeiten in der Höhe einen angemessenen Fallraum sicher.
  - Niemals versuchen, die Absturzsicherung zu modifizieren. Nur 3M oder Dritte, die hierzu schriftlich von 3M autorisiert sind, dürfen Reparaturen an der Ausrüstung vornehmen.
  - Vergewissern Sie sich vor dem Einsatz der Absturzsicherung, dass ein Rettungsplan vorliegt, durch dessen Mittel eine unverzügliche Rettung bei einem Absturz ermöglicht wird.
  - Wenn es zu einem Absturz kommt, muss für den abgestürzten Arbeiter sofort ein Arzt hinzugezogen werden.
  - Verwenden Sie für Absturzsicherungsanwendungen keinen Haltegurt. Verwenden Sie nur einen Ganzkörper-Auffanggurt.
  - Minimieren Sie Pendelstürze, indem Sie so nahe wie möglich am Verankerungspunkt arbeiten.
  - Beim Training mit dieser Vorrichtung muss ein zweites Absturzsicherungssystem in der Weise angewendet werden, dass der Trainingsteilnehmer keiner unbeabsichtigten Absturzgefahr ausgesetzt wird.
  - Beim Zusammenbau, der Verwendung oder Prüfung der Vorrichtung stets eine entsprechende persönliche Schutzausrüstung tragen.

Übertragen Sie die Angaben zur Produktidentifikation vor der Installation und Verwendung dieser Ausrüstung vom ID-Etikett in das Prüf- und Wartungsprotokoll (Tabelle 2) am Ende dieses Handbuchs.

**PRODUKTBESCHREIBUNG:**

Abbildung 1 zeigt den 3M™ DBI-SALA™ Trägeranker. Der Trägeranker ist ein Einzelanschlagpunkt-Verbindungselement für ein Absturzsystem oder ein persönliches Absturzrückhaltesystem, das für einen Anschlag an einem Träger vorgesehen ist.

Abbildung 2 zeigt die Komponenten des Trägerankers. Siehe Tabelle 1 für die Spezifikationen der Bauteile. Der Trägeranker besteht aus einer gezahnten Halteschiene (A) mit schwenkbarem Verbindungselementbügel (B) und einstellbaren Hakenenden (C), die an Trägerflasche mit Laschenverriegelungen (D), die in Verzahnung der Halteschiene eingreifen, eingehangen werden. Der Trägeranker lässt sich reibungslos mittels Abnutzungsgummis (E) auf dem Träger verschieben. Ein Verbindungsmittel oder eine Selbsteinzugsvorrichtung (SRD) wird zwischen dem schwenkbaren Verbindungselementring an dem Trägeranker und dem entsprechenden Befestigungselement des Ganzkörper-Auffanggurtes des Anwenders angebracht.

**Tabelle 1 - Spezifikationen**

Systemspezifikationen:				
<b>Tragfähigkeit:</b>	1 Person mit einem Gesamtgewicht (einschließlich Kleidung, Werkzeuge usw.) von maximal 140 kg (310 lbs) entsprechend EN 795.			
<b>Stärke der Verankerung:</b>	Die erforderliche Stärke der Verankerung hängt von der Anwendung ab: <b>Verankerungsstruktur:</b> Die Struktur, an der das Anschlaghilfsmittel befestigt wird, muss einer Kraft in den jeweiligen Belastungsrichtungen standhalten. Jede Stelle für den Verankerungspunkt muss den folgenden Anforderungswerten entsprechen: <table border="1" style="width: 100%; border-collapse: collapse;"> <tr> <td style="width: 30%;"><b>EN 795</b></td> <td>12 kN (2698 lbs)</td> </tr> </table>		<b>EN 795</b>	12 kN (2698 lbs)
<b>EN 795</b>	12 kN (2698 lbs)			
<b>Betriebstemperatur</b>	-40 °C (-40 °F) Min. Betriebstemperatur			
<b>Anschlaghilfsmittel-Bruchfestigkeit:</b>	22 kN (5.000 lbs) Minimale Bremskraft			
<b>Abmessungen:</b>	Sehen Sie Abbildung 1 für die Abmessungen jedes Trägerankermodells.			
<b>Gewicht:</b>	Sehen Sie Abbildung 1 für das Gewicht jedes Trägerankermodells.			
Spezifikation der Bauteile:				
Siehe Abbildung 2	Komponente	Material		
Ⓐ	Halteschiene	Aluminiumlegierung		
Ⓑ	Verankerungselementring	Legierter Stahl		
Ⓒ	Hakenenden	Aluminiumlegierung		
Ⓓ	Laschenverriegelungen	Legierter Stahl		
Ⓔ	Abnutzungsgummis	Nylon		

**1 Qualifizierte Person:** Eine Person mit einem anerkannten Diplom oder einem professionellen Abschluss und umfangreicher Erfahrung in der Absturzicherung. Diese Person muss sich in Absturzicherungs-Design, -Analyse, -Bewertung und -Spezifikation auskennen.

## 1.0 PRODUKTANWENDUNG

- 1.1 VERWENDUNGSZWECK:** Verankerungsanschlüsse wurden konzipiert, um Verankerungsanschlusspunkte für Absturzsicherungs<sup>-1</sup> oder Absturzrückhaltesysteme<sup>2</sup> zu bieten: Rückhalte-, Arbeitspositionierungs-, Personenseilfahrt-, Rettungssysteme usw.

**Nur Absturzsicherung:** Dieses Anschlaghilfsmittel dient als Verbindungselement für die Absturzsicherung. Befestigen Sie an diesem Anschlaghilfsmittel keine Hebeausrüstung.

- 1.2 NORMEN:** Das Anschlaghilfsmittel entspricht den nationalen oder regionalen Normen, die auf der Vorderseite dieses Handbuchs angegeben sind. Wenn dieses Produkt außerhalb des ursprünglichen Bestimmungslandes wiederverkauft wird, muss der Wiederverkäufer diese Anweisungen in der Sprache des Landes zur Verfügung stellen, in dem das Produkt verwendet werden wird.
- 1.3 ÜBERWACHUNG:** Die Verwendung dieser Ausrüstung muss durch einen Sachkundigen überwacht werden<sup>3</sup>.
- 1.4 TRAINING:** Die Ausrüstung muss von Personen, die in der richtigen Anwendung geschult sind, installiert und verwendet werden. Dieses Handbuch ist im Rahmen eines Trainingsprogramms für Mitarbeiter, wie es von CE gefordert wird, zu verwenden. Es unterliegt der Verantwortung der Benutzer und Installateure dieser Ausrüstung, sicherzustellen, dass sie mit diesen Anweisungen vertraut sind und bezüglich korrekter Pflege und Einsatzweise geschult wurden. Zudem müssen sie die Betriebsmerkmale, Anwendungseinschränkungen und die Folgen eines nicht ordnungsgemäßen Gebrauchs dieser Ausrüstung kennen.
- 1.5 RETTUNGSPLAN:** Beim Verwenden dieser Ausrüstung und dem Anschließen der Teilsysteme muss der Arbeitgeber über einen Rettungsplan und die Mittel zu dessen Durchführung verfügen. Außerdem muss er den Plan den Benutzern, den zuständigen Fachkräften<sup>4</sup> und den Rettungskräften<sup>5</sup> übermitteln. Ein ausgebildetes internes Rettungsteam wird empfohlen. Die Teammitglieder sind mit den nötigen Geräten und Techniken für eine erfolgreiche Rettung auszustatten. Ein regelmäßiges Training ist erforderlich, damit die Befähigung des Rettungsteams stets gewährleistet ist.
- 1.6 INSPEKTIONSHÄUFIGKEIT:** Das Anschlaghilfsmittel muss vom Anwender vor jeder Benutzung und zusätzlich mindestens jährlich von einem Sachkundigen, der nicht der Anwender ist, inspiziert werden.<sup>6</sup> Die Inspektionsaktivitäten werden im „Inspektions- und Wartungsprotokoll“ beschrieben. Tragen Sie die Ergebnisse jeder Inspektion durch einen Sachkundigen in das „Inspektions- und Wartungsprotokoll“ ein.
- 1.7 NACH EINEM STURZ:** Wenn das Anschlaghilfsmittel den Kräften eines abgefangenen Absturzes ausgesetzt war, muss dieses sofort aus dem Betrieb genommen und vernichtet werden.

## 2.0 SYSTEMVORAUSSETZUNGEN

- 2.1 VERANKERUNG:** Die Anforderungen an die Verankerung variieren mit der Absturzsicherung. Strukturen, an denen das Anschlaghilfsmittel angebracht oder an denen dieses befestigt ist, müssen die in Tabelle 1 definierten Verankerungsspezifikationen erfüllen.
- 2.2 PERSÖNLICHE SCHUTZAUSRÜSTUNG GEGEN ABSTURZ (PSAGA):** Abbildung 1 stellt die Anwendung dieses Anschlaghilfsmittels dar. Die mit diesem System verwendeten persönlichen Schutzausrüstungen gegen Abstieg (PSAGA) müssen geltende Absturzsicherungsnormen, -codes und -anforderungen erfüllen. Die PSAGA muss einen Ganzkörper-Auffanggurt umfassen und die Absturzbremskraft auf die folgenden Werte begrenzen:

	Maximale Bremskraft	Freier Fall:
PSAGA mit Verbindungsmittel mit Falldämpfer	6 kN (1.350 lb)	Sehen Sie die Anweisung(en), die mit dem Verbindungsmittel oder die SRD für Begrenzungen eines freien Falls mitgeliefert wird/werden.
PSAGA mit Selbsteinzugsvorrichtung (SRD Self Retracting Device)	6 kN (1.350 lb)	

- 2.3 FALLSTRECKE UND ARRETIERUNGSGESCHWINDIGKEIT DES HÖHENSICHERUNGSGERÄTS:** Eine freie Fallstrecke ist erforderlich, damit ein sicheres Arretieren eines Höhensicherungsgeräts gewährleistet ist. Eine ungehinderte Fallstrecke sollte stets gewährleistet sein. Bei der Arbeit auf beschränktem oder beengtem Raum erreicht der Körper möglicherweise keine ausreichende Geschwindigkeit, um im Falle eines Absturzes eine Arretierung des SRD auszulösen. Bei Arbeiten auf langsam verrutschendem Material, wie Sand oder Korn, wird unter Umständen keine ausreichend hohe Fallgeschwindigkeit erreicht, um eine Arretierung des SRD auszulösen.
- 2.4 GEFAHREN:** Die Verwendung dieser Ausrüstung in Bereichen mit Umweltgefahren kann zusätzliche Sicherheitsmaßnahmen erfordern, um die Verletzungsgefahr und Schäden an der Ausrüstung zu vermeiden. Zu den Gefahren zählen unter anderem: Hitze, Chemikalien, korrosive Umgebungen, Hochspannungsleitungen, explosive oder giftige Gase, bewegliche Maschinen, scharfe Kanten oder überhängiges Material, das herunterfallen und den Anwender oder das Absturzsicherungssystem treffen kann.

**1 Absturzsicherungssystem:** Eine Sammlung von Absturzsicherungsgeräten, die so konfiguriert sind, dass sie einen freien Fall stoppen.

**2 Absturzrückhaltesystem:** Eine Sammlung von Absturzsicherungsgeräten, die durch ihre Konfiguration verhindert, dass der Schwerpunkt der Person eine Absturzgefahr erreicht.

**3 Sachkundiger:** Eine Person, die in der Lage ist, bestehende und vorhersehbare Risiken in der Umgebung oder bei Arbeitsbedingungen zu erkennen, die für Mitarbeiter gesundheitsgefährdend, gefährlich oder risikoreich sind, und die befugt ist, sofort korrigierende Maßnahmen zu ergreifen, um diese Risiken und Gefährdungen zu beseitigen.

**4 Autorisierte Fachkraft:** Für Zwecke der Z359-Normen eine Person, die vom Arbeitgeber dazu bestimmt ist, Aufgaben an einem Ort auszuführen, an dem sie einer Absturzgefahr ausgesetzt ist.

**5 Rettungskraft:** Person oder Personen außer der verunfallten Person, die mithilfe technischer Rettungs- und Bergungsmittel eine Rettungs- bzw. Bergungsaktion vornehmen.

**6 Inspektionshäufigkeit:** Extreme Arbeitsbedingungen (raue Umweltbedingungen, andauernde Verwendung usw.) können eine häufigere Überprüfung durch einen Sachkundigen erforderlich machen.

- 2.5 FALLRAUM:** Abbildung 3 zeigt die Komponenten eines Absturzsicherungssystems. Es muss ein ausreichender Fallraum vorhanden sein, um einen Absturz zu bremsen, bevor der Benutzer auf den Boden oder andere Hindernisse auftrifft. Der Fallraum wird durch eine Reihe von Faktoren beeinflusst, darunter: Verankerungsstelle, (A) Länge des Verbindungsmittels, (B) Verzögerungsdistanz des Verbindungsmittels oder maximaler Bremsweg der SRD (C), Dehnung des Auffanggurts sowie Länge und Setzung der Auffangöse. Einzelheiten bezüglich der Berechnung des Fallraums entnehmen Sie bitte der Gebrauchsanweisung, die dem Absturzsicherungssystem beiliegt.
- 2.6 PENDELSTURZ:** Zu Pendelstürzen kommt es, wenn sich der Verankerungspunkt nicht direkt über dem Punkt befindet, an dem sich der Fall ereignet (siehe Abbildung 4). Die Kraft des Aufpralls auf ein Objekt bei einem Pendelsturz kann zu schweren Verletzungen oder zum Tod führen. Minimieren Sie Pendelstürze, indem Sie so nahe wie möglich am Verankerungspunkt arbeiten. Lassen Sie keinen Pendelsturz zu, wenn es dabei zu Verletzungen kommen könnte. Pendelstürze erfordern einen deutlich höheren Abstand, wenn ein Sicherungsseil mit automatischem Rückzug oder ein anderes Teilsystem mit variabler Länge verwendet wird.
- 2.7 KOMPATIBILITÄT DER KOMPONENTEN:** Die Ausrüstung von 3M ist nur zur Verwendung mit den von 3M freigegebenen Komponenten und Subsystemen ausgelegt. Ein Austausch durch nicht genehmigte Komponenten oder Teilsysteme kann die Kompatibilität der Ausrüstung aufs Spiel setzen und die Sicherheit und Zuverlässigkeit des kompletten Systems gefährden.
- 2.8 KOMPATIBILITÄT DER VERBINDUNGSELEMENTE:** Verbindungsmittel sind mit Verbindungselementen kompatibel, wenn sie in Größe und Form so konzipiert sind, dass sie zusammenarbeiten, ohne dass sich ihre Verschlussmechanismen versehentlich öffnen, unabhängig davon, wie sie ausgerichtet sind. Kontaktieren Sie 3M, wenn Sie Fragen zur Kompatibilität haben.
- Verbindungselemente müssen EN 362 entsprechen. Die Verbindungselemente müssen mit der Verankerung oder anderen Systemkomponenten kompatibel sein. Verwenden Sie keine Ausrüstung, die nicht kompatibel ist. Nicht kompatible Verbindungselemente können sich versehentlich lösen (siehe Abbildung 5). Die Verbindungselemente müssen in Größe, Form und Belastbarkeit kompatibel sein. Wenn das Verbindungselement, an das der Karabiner angeschlossen wird, zu klein ist oder eine unregelmäßige Form aufweist, kann es dazu kommen, dass das Verbindungselement Druck auf den Verschluss des Karabiners (A) ausübt. Dieser Druck kann dazu führen, dass sich der Verschluss öffnet (B), sodass sich der Karabiner vom Verbinderpunkt (C) löst.
- 2.9 ANSCHLAGEN:** Verwenden Sie mit dieser Ausrüstung nur Schnapphaken und Karabiner. Stellen Sie sicher, dass alle Verbindungen bezüglich Größe, Form und Stärke kompatibel sind. Verwenden Sie keine Ausrüstung, die nicht kompatibel ist. Vergewissern Sie sich, dass alle Verbindungselemente vollständig geschlossen und verriegelt sind.
- Verbindungselemente von 3M (Schnapphaken und Karabiner) dürfen nur wie in der Bedienungsanleitung des jeweiligen Produktes angegeben verwendet werden. Abbildung 6 zeigt Beispiele für falsche Verbindungen. Schnapphaken und Karabiner dürfen nicht wie folgt befestigt werden:
- An einer hinteren Auffangöse, an der ein anderes Verbindungselement befestigt ist.
  - Auf eine Weise, die den Verschluss belastet. Schnapphaken mit großer Maulöffnung sollten nicht an Auffangösen oder ähnlichen Objekten in Standardgröße angebracht werden, da der Verschluss sonst belastet wird, wenn sich der Haken oder die Auffangöse dreht, es sei denn, der Karabinerhaken verfügt über einen Verschluss, der einer Belastung von 16 kN (3.600 lbs) standhält. Überprüfen Sie die Markierung auf Ihrem Schnapphaken, um sicherzustellen, dass er die Voraussetzungen für die Anwendung erfüllt.
  - An einem falschen Rasthaken, wenn Teile des Schnapphakens oder Karabiners hervorstehen, die sich in der Verankerung verfangen können, und ohne dass visuell geprüft werden kann, ob der Verbinder voll in der Verankerung eingerastet ist.
  - Aneinander.
  - Direkt an einem Gurtband, Verbindungsmittel oder Tie Back Verbindungsmittel (außer es ist laut Anweisungen des Herstellers ausdrücklich erlaubt, die Verbindungselemente auf diese Weise anzuschließen).
  - An einem Objekt, das eine Größe und Form aufweist, die verhindern, dass der Karabinerhaken oder Karabiner verschlossen und verriegelt werden kann, oder dazu führen, dass sich der Haken löst.
  - Auf eine Weise, in der das Verbindungselement sich unter Last nicht richtig ausrichten kann.



### 3.0 INSTALLATION

Die Installation des DBI-SALA Trägerankers muss durch eine qualifizierte Person überwacht werden<sup>1</sup>. Eine hierfür qualifizierte Person<sup>2</sup> muss zertifizieren, dass die Installation den Kriterien für eine zertifizierte Verankerung entspricht oder in der Lage ist, den bei einem Absturz möglicherweise auftretenden Kräften standzuhalten.

- 3.1 PLANUNG:** Planen Sie Ihr Fallschutzsystem vor der Installation des Trägerankers. Berücksichtigen Sie alle Faktoren, die Ihre Sicherheit vor, während und nach einem Absturz beeinträchtigen könnten. Beachten Sie alle in Abschnitt 2 und Tabelle 1 beschriebenen Anforderungen, Einschränkungen und Spezifikationen.

**Endanschläge:** Endanschläge, die den Verankerungsfestigkeitsanforderungen von Tabelle 1 entsprechen, müssen an beiden Enden des Trägers vorhanden sein. Verläuft der Träger geneigt oder vertikal, muss der Trägeranker sich nahe dem unteren Endanschlag befinden, um zu verhindern, dass sich der Trägeranker im Falle eines Absturzes bewegt.

- 3.2 INSTALLATION DES TRÄGERANKERS:** Der Trägeranker kann an Trägern installiert werden, die die in Tabelle 1 angegebenen Verankerungsanforderungen erfüllen. Sehen Sie Abbildung 1 für die zulässige Trägerflanschbreite (A) und -dicke (B) für jedes Trägerankermodell. Der Trägeranker kann auf dem Träger oben (A), unten (B) oder an den Seiten (C oder D) montiert werden (sehen Sie Abbildung 7). Abbildung 8 zeigt eine Installation des Trägerankers. Installation des Trägerankers:

1. Drücken Sie die Laschenverriegelungsfreigabe an jedem Endhaken, stellen Sie die Endhaken so ein, dass diese über den Trägerflansch passen, wobei der Verbindungselementring über den Endhaken zentriert ist, und lösen Sie die Laschenverriegelungsfreigabe.
2. Positionieren Sie den Trägeranker auf dem Trägerflansch, wobei der Verbindungselementring auf dem Träger zentriert ist. Schieben Sie die Endhaken nach innen, bis diese fest auf dem Trägerflansch sitzen.
3. Schieben Sie, mit den Laschenverriegelungen in der verriegelten Position, die Endhaken ein wenig nach innen oder außen, um sicherzustellen, dass die Verschlussklinken in die Verzahnung der Schiene eingerastet sind.

**Abstand des Endhakens:** Der Gesamtabstand zwischen den Endhaken und dem Trägerflansch darf nicht mehr als 14,3 mm (9/16 Zoll) betragen. Sehen Sie Abbildung 1.

4. Kontrollieren Sie Ihre Installation, um sich zu vergewissern, dass der Trägeranker nicht an irgendeinem Punkt der geplanten Bewegung oder an den Trägerverbindungen oder -enden herausrutschen kann. Verbindungen zwischen den Trägerabschnitten müssen aneinander angrenzend sein, wobei nur ein maximaler Abstand von 12,7 mm (1/2 Zoll) vorhanden sein darf.

### 4.0 EINSATZ

- 4.1 VOR JEDEM EINSATZ:** Stellen Sie sicher, dass Ihr Arbeitsbereich und Ihre Persönliche Schutzausrüstung gegen Absturz (PSAgA) alle Kriterien erfüllt, die in Abschnitt 2 definiert sind, und dass ein formeller Rettungsplan vorhanden ist. Prüfen Sie den Trägeranker anhand der „Benutzer“-Inspektionspunkte, die im „Inspektions- und Wartungsprotokoll“ (Tabelle 2) definiert sind. Wenn bei der Inspektion Unsicherheiten oder Defekte festgestellt werden, verwenden Sie das System nicht. Nehmen Sie das System außer Betrieb und zerstören Sie es oder kontaktieren Sie 3M für einen Ersatz oder eine Reparatur.

- 4.2 ABSTURZSICHERUNGSVERBINDUNGEN:** Der Trägeranker wird mit einem Ganzkörper-Auffanggurt und einem Falldämpfer-Verbindungsmittel oder einer Selbsteinzugsvorrichtung (SRD) verwendet. Abbildung 9 zeigt eine Verbindung des Verbindungsmittels (A) oder der SRD (B) zwischen dem Auffanggurt und dem Trägeranker. Verbinden Sie das Verbindungsmittel oder die SRD zwischen der Auffangöse an dem Trägeranker und der hinteren Auffangöse am Auffanggurt, wie in den Anweisungen im Lieferumfang des Verbindungsmittels oder der SRD beschrieben.

### 5.0 INSPEKTION

- 5.1 INSPEKTIONS-HÄUFIGKEIT:** Der Trägeranker muss in den in Abschnitt 1 festgelegten Abständen geprüft werden. Die Inspektionsaktivitäten werden im „Inspektions- und Wartungsprotokoll“ (Tabelle 2) beschrieben. Inspizieren Sie alle anderen Bauteile des Absturzschutzsystems in den Zeitabständen und nach den Verfahren, die in den Herstelleranleitungen definiert sind.

Extreme Arbeitsbedingungen (raue Umweltbedingungen, andauernde Verwendung usw.) können eine häufigere Überprüfung erforderlich machen.

Trägeranker sind mit einem Funkfrequenz-Identifikations-Etikett (RFID) ausgestattet. Das RFID-Etikett kann in Verbindung mit einem tragbaren Lesegerät dazu verwendet werden, die Überprüfung und Bestandskontrolle zu erleichtern und Aufzeichnungen über Ihre Absturzschutzsausrüstung bereitzustellen.

- 5.2 DEFEKTE:** Falls bei der Inspektion ein Sicherheitsproblem oder ein Defekt festgestellt wird, nehmen Sie den Trägeranker unverzüglich außer Betrieb und kontaktieren Sie 3M, um eine Reparatur oder einen Austausch zu veranlassen. Versuchen Sie nicht, das Absturzschutzsystem zu reparieren.

**1 Sachkundiger:** Eine Person, die in der Lage ist, bestehende und vorhersehbare Risiken in der Umgebung oder bei Arbeitsbedingungen zu erkennen, die für Mitarbeiter gesundheitsgefährdend, gefährlich oder risikoreich sind, und die befugt ist, sofort korrigierende Maßnahmen zu ergreifen, um diese Risiken und Gefährdungen zu beseitigen.

**2 Qualifizierte Person:** Eine Person mit einem anerkannten Diplom oder einem professionellen Abschluss und umfangreicher Erfahrung in der Absturzschutzsicherung. Diese Person muss sich in Absturzschutzsicherungsgestaltung, -Analyse, -Bewertung und -Spezifikation auskennen.

**Nur autorisierte Reparaturen:** Nur 3M oder Dritte, die hierzu schriftlich autorisiert sind, dürfen Reparaturen an dieser Ausrüstung vornehmen.

**5.3 PRODUKT-LEBENSZYKLUS:** Die Haltbarkeit des Absturzsicherungssystems wird von den Arbeitsbedingungen und der Wartung bestimmt. Solange das Produkt die Prüfkriterien erfüllt, kann es in Betrieb bleiben.

## 6.0 WARTUNG, REPARATUR UND LAGERUNG

**6.1 REINIGUNG:** Reinigen Sie die Metallbauteile des Trägerankers regelmäßig mit einer weichen Bürste, warmem Wasser und einer milden Seifenlösung. Stellen Sie sicher, dass die Teile sorgfältig mit viel klarem Wasser gespült werden.

**6.2 ENTFERNEN UND ANBRINGEN VON ABNUTZUNGSGUMMIS:** Die Abnutzungsgummis sind die einzigen wartbaren Teile des Trägerankers. Abbildung 10 zeigt den Ersatz der Abnutzungsgummis. Falls bei der Inspektion gebrochene oder abgenutzte Gummis gefunden werden, müssen die folgenden Schritte zum Entfernen der alten und zum Anbringen der neuen Ersatzgummis ausgeführt werden:

1. Schieben Sie einen Schraubendreher mit flacher Klinge zwischen den oberen Teil des Kunststoff-Abnutzungsgummis und die Endklemme.
2. Führen Sie den Schraubendreher um die Vorderseite des Abnutzungsgummis, und hebeln Sie das Ende heraus. Schieben Sie einen Schraubendreher zwischen den unteren Teil des Kunststoff-Abnutzungsgummis und die Endklemme. Führen Sie den Schraubendreher um die Vorderseite des Abnutzungsgummis, und hebeln Sie das Ende heraus.
3. Hebeln Sie den unteren Teil des Abnutzungsgummis heraus, und entfernen Sie diesen von der Endklemme. Entsorgen Sie das alte Abnutzungsgummi.
4. Schieben Sie das neue Abnutzungsgummi in die Endklemme. Üben Sie Druck aus, um das neue Abnutzungsgummi an entsprechender Position einzurasten.

**6.3 WARTUNG:** Nur 3M oder Dritte, die hierzu von 3M schriftlich autorisiert sind, dürfen Reparaturen an dieser Ausrüstung vornehmen. Wenn der Trägeranker den Kräften eines Absturzes ausgesetzt war, muss dieser sofort aus dem Betrieb genommen, eindeutig mit „NICHT VERWENDEN“ gekennzeichnet und vernichtet werden. Falls bei der Inspektion ein Sicherheitsproblem oder ein Defekt festgestellt wird, nehmen Sie das System unverzüglich außer Betrieb und kontaktieren Sie 3M, um eine Reparatur oder einen Austausch zu veranlassen.

**6.4 LAGERUNG UND TRANSPORT:** Lagern Sie den Trägeranker und die entsprechende Absturzsicherungsausrüstung bei Nichtgebrauch in einer kühlen, trockenen, sauberen Umgebung, in der dieser vor direkter Sonneneinstrahlung geschützt ist. Dasselbe gilt für den Transport. Setzen Sie das Produkt keinen chemischen Dämpfen aus. Überprüfen Sie die Komponenten nach langer Lagerung gründlich.

## 7.0 ETIKETTEN

Abbildung 11 zeigt eine Installation des Trägerankers. Etikette müssen ersetzt werden, wenn sie nicht vollständig lesbar sind. Folgende Angaben sind auf jedem Etikett enthalten:

(A)	RFID-Tag
(B)	<p>Warnetikett:</p> <p>1) Kontrollieren des Trägerankers: 2) Darf nicht kundenseitig repariert werden. Dieses Produkt muss durch ein autorisiertes Servicecenter gewartet werden. 3) Temperaturbereich -40 °C - +60 °C. 4) Zulässige Installationsorte und Arbeitsbereiche. Darf nur an vertikalen und horizontalen Trägern mit Endanschlägen installiert werden. 5) Trägeranker an einem kühlen, trockenen, sauberen und vor direkter Sonneneinstrahlung geschützten Ort lagern. 6) Keine Etiketten von dem Trägeranker entfernen. 7a) Nicht bei Trägern ohne Endanschläge verwenden. 7b) Eine ordnungsgemäße Installation auf Trägern mit Endanschlägen ausführen. 8a) An Strukturen befestigen, die für 12 kN oder mehr zugelassen sind. 8b) Nicht an Strukturen verwenden, die mit weniger als 12 kN bewertet sind. 9) Nicht bei schrägen Trägern verwenden.</p>
(C)	<p>10) Produkthanweisungen lesen. 11) Maximale Tragfähigkeit 140 kg (310 lbs). 12) Kennnummer der notifizierten Stelle. 13) Monat und Jahr der Herstellung 14) Chargennummer 15) Modellnummer 16) Zulässige Installationsstellen und Arbeitsbereiche. An Strukturen befestigen, die für 12 kN oder mehr zugelassen sind. 17) Inspektionsprotokoll 18) Inspektionsdatum 19) Initialen des Inspektors 20) Modellnummer des Trägerankers, zulässige Flanschbreite und zulässige Trägerflanschdicke.</p>



**Tabelle 2 – Inspektions- und Wartungsprotokoll**

<b>Inspektionsdatum:</b>		<b>Kontrolliert von:</b>	
<b>Komponenten:</b>	<b>Inspektion:</b> (Siehe Abschnitt 1 für <i>Häufigkeit der Kontrollen</i> )	<b>Benutzer</b>	<b>Sachkundiger<sup>1</sup></b>
Trägeranker (Abbildung 2)	Kontrollieren Sie den Trägeranker auf Beschädigungen: Suchen Sie nach Rissen, Dellen oder Verformungen.	<input type="checkbox"/>	<input type="checkbox"/>
	Kontrollieren Sie das Stützrohr (A), den Verankerungselementring (B), Verankerungselementringbügel, die Hakenenden (C) und Laschenverriegelungen (D) auf Verbiegungen und Abnutzungen.	<input type="checkbox"/>	<input type="checkbox"/>
	Kontrollieren Sie auf fehlende Teile (Endnieten, mittlere Schraube usw.).	<input type="checkbox"/>	<input type="checkbox"/>
	Überprüfen Sie die gesamte Einheit auf Korrosion.	<input type="checkbox"/>	<input type="checkbox"/>
	Kontrollieren Sie die Abnutzungsgummis, um sicherzustellen, dass diese nicht so weit abgenutzt sind, dass die Hakenenden in direktem Kontakt mit dem Trägerflansch stehen. Ersetzen Sie abgenutzte oder gerissene Abnutzungsgummis. (Sehen Sie Entfernen und Anbringen von Abnutzungsgummis)	<input type="checkbox"/>	<input type="checkbox"/>
	Kontrollieren Sie die Verzahnung der Halteschiene (A) auf Abnutzung oder Schäden. Stellen Sie sicher, dass die Verschlussklinke automatisch vollständig in jedem Zahn einrastet, wenn die Laschenverriegelungen (D) freigegeben werden.	<input type="checkbox"/>	<input type="checkbox"/>
	Stellen Sie sicher, dass die Laschenverriegelungen (D) in deren Funktionsfähigkeiten nicht eingeschränkt sind, vollständig zurückfedern und automatisch in die Zähne der Halteschiene (A) einrasten.	<input type="checkbox"/>	<input type="checkbox"/>
Etiketten (Abbildung 11)	Überprüfen Sie, ob alle Etiketten vorhanden sowie sicher befestigt und lesbar sind (siehe „Etiketten“)	<input type="checkbox"/>	<input type="checkbox"/>
PSAgA und andere Ausrüstung	Eine zusätzliche persönliche Schutzausrüstung gegen Absturz (PSAgA)-Ausrüstung (Auffanggurt, HSG usw.), die mit dem Verankerungssystem verwendet wird, sollte nach den Anweisungen des Herstellers installiert und geprüft werden.	<input type="checkbox"/>	<input type="checkbox"/>

<b>Seriennummer(n):</b>	<b>Kaufdatum:</b>
<b>Modellnummer:</b>	<b>Datum des ersten Einsatzes:</b>
<b>Abhilfemaßnahme/Wartung:</b>	Genehmigt von:
	Datum:
<b>Abhilfemaßnahme/Wartung:</b>	Genehmigt von:
	Datum:
<b>Abhilfemaßnahme/Wartung:</b>	Genehmigt von:
	Datum:
<b>Abhilfemaßnahme/Wartung:</b>	Genehmigt von:
	Datum:
<b>Abhilfemaßnahme/Wartung:</b>	Genehmigt von:
	Datum:
<b>Abhilfemaßnahme/Wartung:</b>	Genehmigt von:
	Datum:
<b>Abhilfemaßnahme/Wartung:</b>	Genehmigt von:
	Datum:
<b>Abhilfemaßnahme/Wartung:</b>	Genehmigt von:
	Datum:
<b>Abhilfemaßnahme/Wartung:</b>	Genehmigt von:
	Datum:
<b>Abhilfemaßnahme/Wartung:</b>	Genehmigt von:
	Datum:

**1 Sachkundiger:** Eine Person, die in der Lage ist, bestehende und vorhersehbare Risiken in der Umgebung oder bei Arbeitsbedingungen zu erkennen, die für Mitarbeiter gesundheitsgefährdend, gefährlich oder risikoreich sind, und die befugt ist, sofort korrigierende Maßnahmen zu ergreifen, um diese Risiken und Gefährdungen zu beseitigen.

## INFORMACIÓN DE SEGURIDAD

Lea, comprenda y cumpla todo lo dispuesto en la información de seguridad contenida en estas instrucciones antes de utilizar este conector de anclaje. **SI NO LO HACE, PUEDE SUFRIR GRAVES LESIONES O LA MUERTE.**

Estas instrucciones deben entregarse al usuario de este equipo. Conserve las instrucciones para futuras consultas.

### Uso previsto:

Este conector de anclaje está pensado para ser utilizado como parte de un completo sistema de protección personal contra caídas.

El empleo en cualquier otra aplicación, entre otras, la manipulación de material, actividades relacionadas de recreo o deportivas, u otras actividades no descritas en las instrucciones del usuario, no está aprobado por 3M y podría provocar lesiones graves o la muerte.

Este dispositivo solo deben usarlo usuarios formados en su utilización en aplicaciones dentro del lugar de trabajo.



## ADVERTENCIA

Este conector de anclaje es parte de un sistema de protección personal contra caídas. Se espera que todos los usuarios se hayan formado completamente en la instalación y el uso seguros de su sistema de protección contra caídas. **El uso indebido de este dispositivo podría ocasionar lesiones graves o la muerte.** Para conseguir un grado adecuado de selección, uso, instalación, mantenimiento, inspección y reparación, consulte estas instrucciones del usuario y todas las recomendaciones del fabricante o contacte con su supervisor o con el servicio técnico de 3M.

- **Para reducir los riesgos asociados con trabajar con un conector de anclaje que, si no se evitan, podrían ocasionar lesiones de gravedad o la muerte:**
  - Inspeccione el dispositivo antes de cada uso, al menos, con una periodicidad anual, y después de que el sistema haya soportado una caída. Realice la inspección según las instrucciones del producto.
  - Si la inspección revela una situación poco segura o algún defecto, retire el dispositivo del servicio, repárelo o reemplácelo, según se indique en estas instrucciones.
  - Todo dispositivo que haya estado sometido a una fuerza de detención de caídas o de impacto deberá ser retirado inmediatamente del servicio y ser destruido.
  - El dispositivo solo podrá instalarse en los sustratos especificados o sobre las estructuras detalladas en las instrucciones del usuario. Las instalaciones y los usos no contemplados en las instrucciones deberán ser aprobados por 3M Fall Protection.
  - El sustrato o la estructura a la que se fije el conector de anclaje debe poder soportar las cargas estáticas especificadas para el anclaje en las orientaciones permitidas en las instrucciones del usuario.
  - Únicamente conecte otros subsistemas de protección contra caídas en el punto del conector de anclaje designado del dispositivo.
  - Antes de taladrar o ajustar, asegúrese de que no hay cables eléctricos, tuberías de gas u otros sistemas críticos integrados que puedan entrar en contacto con el taladro o el dispositivo.
  - Asegúrese de que los sistemas/subsistemas de protección contra caídas montados a partir de componentes hechos por distintos fabricantes son compatibles y cumplen los requisitos de las normas aplicables, incluyendo los ANSI Z359 u otros códigos, normas o requisitos de protección contra caídas aplicables. Consulte siempre con personal cualificado o competente antes de usar estos sistemas.
- **Para reducir los peligros asociados con el trabajo en altura que, si no se evitan, pueden provocar lesiones graves o la muerte:**
  - Asegúrese de que su salud y condición física le permiten resistir con seguridad todas las fuerzas asociadas con el trabajo en altura. Consulte con su médico si tiene alguna pregunta con respecto a su capacidad para utilizar este equipo.
  - Nunca exceda la capacidad de carga de su equipo de protección contra caídas.
  - Nunca exceda la distancia máxima de caída libre de su equipo de protección contra caídas.
  - No utilice ningún equipo de protección contra caídas que haya fallado antes de usarse o no haya pasado otras inspecciones programadas, o si tiene dudas sobre el uso o la idoneidad del equipo para su aplicación. Póngase en contacto con los servicios técnicos de 3M si tiene cualquier pregunta.
  - Algunas combinaciones de subsistemas y componentes pueden perjudicar el funcionamiento del equipo. Use solamente conectores compatibles. Consulte con 3M antes de emplear este equipo con componentes o subsistemas distintos de los descritos en las instrucciones del usuario.
  - Extrema la precaución cuando se encuentre alrededor de maquinaria en movimiento (p. ej., mecanismos de activación superiores de plataformas petrolíferas) o cuando existan riesgos eléctricos, temperaturas extremas, peligros químicos, gases explosivos o tóxicos, bordes afilados o materiales que se encuentren por encima de usted y que podrían caer sobre usted o sobre el equipo de protección contra caídas.
  - Use dispositivos para trabajos en caliente o arco eléctrico cuando trabaje en ambientes a altas temperaturas.
  - Evite superficies y objetos que puedan lesionar al usuario u ocasionar desperfectos al equipo.
  - Asegúrese de que haya una distancia de caída adecuada cuando trabaje en altura.
  - Nunca modifique o altere su equipo de protección contra caídas. Sólo 3M o las partes autorizadas por escrito por 3M tienen permitido reparar el equipo.
  - Antes de usar el equipo de protección contra caídas, asegúrese de que existe un plan de rescate que permita un rápido rescate si se produce un incidente de caída.
  - Si hubiese un incidente de caída, busque atención médica inmediatamente para el trabajador que se haya caído.
  - No utilice un cinturón corporal para las aplicaciones de detención de caídas. Use solamente un arnés de cuerpo completo.
  - Trabaje en un lugar situado lo más directamente posible por debajo del punto de anclaje para minimizar la posibilidad de caídas con balanceo.
  - Si se está formando con este dispositivo, se debe utilizar un sistema de protección contra caídas secundario de manera que no exponga al aprendiz a un riesgo de caída involuntaria.
  - Lleve siempre el equipo de protección individual apropiado cuando instale, use o inspeccione el dispositivo/sistema.

Antes de instalar y utilizar este equipo, registre la información de identificación del producto indicada en la etiqueta de identificación en el "Registro de inspección y mantenimiento" (Tabla 2) al final de este manual.

### DESCRIPCIÓN DEL PRODUCTO:

La Figura 1 ilustra el anclaje deslizante para vigas 3M™ DBI-SALA™. El anclaje deslizante para vigas es un conector de anclaje de un solo punto para un sistema de detención de caídas personal o un sistema de retención de caídas personal diseñado para conectarse a una viga.

La Figura 2 ilustra los componentes del anclaje deslizante para vigas. Consulte la Tabla 1 con las especificaciones de los componentes. El anclaje deslizante para vigas está compuesto por una barra de soporte con muescas (A) con un anillo de conector giratorio (B) y extremos de gancho ajustables (C) que se enganchan sobre cada borde de una brida de viga con cerraduras de lengüeta (D) que se acoplan a las muescas de la barra de soporte. El anclaje deslizante para vigas se desliza suavemente a lo largo de la viga en los protectores de desgaste (E). Una eslinga o dispositivo autorretráctil (SRD) se conecta entre el anillo conector giratorio en el anclaje deslizante para vigas y el elemento de fijación apropiado en el arnés de cuerpo completo del usuario.

**Tabla 1 – Especificaciones**

Especificaciones del sistema:		
<b>Capacidad:</b>	1 Persona con un peso combinado (ropa, herramientas, etc.) de no más de: 140 kg (310 lbs) para EN 795.	
<b>Resistencia del anclaje:</b>	La fuerza de anclaje necesaria depende de la aplicación: <b>Estructura del anclaje:</b> La estructura a la que se monta el conector de anclaje debe poder sostener la fuerza en las direcciones previstas de carga. Cada ubicación del punto de anclaje debe poder sostener los siguientes valores:	
	<b>EN 795</b>	12 kN (2698 lb)
<b>Temperatura de servicio</b>	-40 °C (-40 °F) Temperatura de servicio mínima	
<b>Resistencia de ruptura del conector de anclaje:</b>	22 kN (5000 libras) Resistencia de ruptura mínima	
<b>Dimensiones:</b>	Consulte la Figura 1 para conocer las dimensiones de cada modelo de anclaje deslizante para vigas.	
<b>Peso:</b>	Consulte la Figura 1 para conocer el peso de cada modelo de anclaje deslizante para vigas.	
Especificaciones de componentes:		
Referencia de la Figura 2	Componente	Materiales
(A)	Barra de soporte	Aleación de aluminio
(B)	Anillo conector	Aleación de acero
(C)	Extremos de los ganchos	Aleación de aluminio
(D)	Cerraduras de lengüeta	Aleación de acero
(E)	Protectores de desgaste	Nailon

**1 PERSONA CUALIFICADA:** Esta otra persona estará debidamente cualificada o tendrá certificación profesional y experiencia suficiente en sistemas de protección anticaídas. Esta persona deberá ser capaz de diseñar, analizar, evaluar y especificar el sistema de protección anticaídas.

## 1.0 APLICACIÓN DEL PRODUCTO

**1.1 PROPÓSITO:** Los conectores de anclaje están diseñados para proporcionar puntos de conexión de anclaje para sistemas de retención de caídas<sup>1</sup> o detención de caídas<sup>2</sup>: Retención, Posicionamiento de trabajo, Desplazamiento de personal, Rescate, etc.

**Solo protección anticaídas:** Este conector de anclaje está indicado para la sujeción de equipo de protección anticaídas. No conecte ningún equipo de elevación a este conector de anclaje.

**1.2 NORMAS:** Su conector de anclaje cumple con la(s) norma(s) naciona(les) o regional(es) identificada(s) en la portada de estas instrucciones. Si se revende este producto fuera del país de destino original, el revendedor debe proporcionar estas instrucciones en el idioma del país en donde se utilizará el producto.

**1.3 SUPERVISIÓN:** El uso de este equipo lo debe supervisar una persona competente<sup>3</sup>.

**1.4 FORMACIÓN:** Este equipo lo deben instalar y utilizar personas que hayan recibido formación sobre su correcta aplicación. Este manual se debe utilizar dentro de un programa de formación de personal tal y como exige la CE. Es responsabilidad de los usuarios e instaladores de este equipo familiarizarse con estas instrucciones, formarse en cuanto al cuidado y uso correcto del mismo, y conocer a fondo las características de funcionamiento, las limitaciones de uso y las consecuencias del uso incorrecto de este equipo.

**1.5 PLAN DE RESCATE:** Cuando utilice este equipo y los subsistemas de conexión, la empresa debe contar con un plan de rescate y los medios necesarios para implementarlo e informar a los usuarios, las personas autorizadas<sup>4</sup> y los responsables del rescate acerca del plan<sup>5</sup>. Se recomienda tener en el centro un equipo de rescate con formación. Se deben proporcionar a los miembros del equipo las técnicas y el equipo para llevar a cabo un rescate con éxito. Se debe proporcionar de forma periódica formación a los responsables del rescate para garantizar su competencia.

**1.6 FRECUENCIA DE INSPECCIÓN:** El usuario debe revisar el conector de anclaje antes de cada uso y, adicionalmente, debe revisarlo también una persona competente que no sea el usuario, en intervalos no superiores a un año.<sup>6</sup> Los procedimientos de inspección se describen en el "Registro de inspección y mantenimiento". Los resultados de la inspección de cada persona competente deben registrarse en copias del "Registro de inspección y mantenimiento".

**1.7 DESPUÉS DE UNA CAÍDA:** Si el conector de anclaje queda expuesto a las fuerzas de una caída, debe retirarse inmediatamente del servicio, marcarse claramente "NO USAR" y luego destruirse.

## 2.0 REQUISITOS DEL SISTEMA

**2.1 ANCLAJE:** Los requisitos de anclaje varían con la aplicación de protección contra caídas. La estructura sobre la que se coloca o instala el conector de anclaje debe cumplir las especificaciones de anclaje definidas en la Tabla 1.

**2.2 SISTEMA PERSONAL DE DETENCIÓN DE CAÍDAS:** La Figura 1 ilustra la aplicación de este conector de anclaje. Los sistemas personales de detención de caídas (PFAS) usados con este equipo deben cumplir los requisitos, códigos y estándares aplicables para protección anticaídas. El PFAS debe incorporar un arnés de cuerpo completo y limitar la fuerza de detención a los siguientes valores:

	Fuerza máxima de detención	Caída libre
PFAS con eslinga de absorción de impacto	6 kN (611,8 kg)	Consulte las instrucciones incluidas con su eslinga o SRD para las limitaciones de caída libre.
PFAS con dispositivo autorretráctil (SRD)	6 kN (611,8 kg)	

**2.3 TRAYECTORIA DE CAÍDA Y VELOCIDAD DE BLOQUEO DEL SRD:** Es necesario un trayecto sin obstáculos para garantizar un bloqueo correcto de un SRD. Se deben evitar las situaciones que no permitan un trayecto de caída sin obstrucciones. Trabajar en espacios confinados o estrechos puede hacer que el cuerpo no alcance suficiente velocidad para provocar el bloqueo del SRD en caso de producirse una caída. Es posible que al trabajar sobre materiales de desplazamiento lento, como arena o grano, no se alcance la velocidad suficiente para provocar el bloqueo del SRD.

**2.4 PELIGROS:** El uso de este equipo en zonas con peligros en el entorno puede requerir precauciones adicionales para evitar que se produzcan lesiones personales o daños al equipo. esos peligros son, entre otros: el calor, los agentes químicos, los ambientes corrosivos, líneas de alta tensión, gases explosivos o tóxicos, maquinaria en movimiento y bordes afilados, o bien materiales que puedan caer y golpear al usuario o al sistema de detención de caídas.

**2.5 DISTANCIA DE CAÍDA:** La figura 3 ilustra los componentes de un sistema de detención de caídas. Debe haber una distancia de caída suficiente para detener la caída antes de que el usuario llegue al suelo o se golpee con otro obstáculo. La distancia se ve afectada por una serie de factores, incluidos: Ubicación del anclaje, (A) longitud de la eslinga, (B) distancia de desaceleración de la eslinga o distancia de detención máxima del SRL, (C) estirado del arnés y fijación y longitud del conector/anilla. Consulte las instrucciones específicas sobre el cálculo de la distancia de caída incluidas con el subsistema de detención de caídas.

**1 Sistema de detención de caídas:** Una colección de Equipos de protección contra caídas configurados para detener una caída libre.

**2 Sistema de retención de caídas:** Una colección de Equipos de protección contra caídas configurados para evitar que el centro de gravedad de la persona alcance un riesgo de caída.

**3 Persona competente:** Una persona capaz de identificar peligros existentes y predecibles en los alrededores o condiciones de trabajo antihigiénicas, peligrosas o perjudiciales para los empleados, y que cuenta con autorización para tomar medidas correctivas rápidas para eliminarlos.

**4 Persona autorizada:** Para las finalidades de las normas Z359, una persona asignada por la empresa para realizar tareas en una ubicación donde la persona estará expuesta a riesgo de caída.

**5 Rescatador:** persona o personas, que no sean el sujeto que se pretende rescatar, que actúan para realizar un rescate asistido mediante un sistema de rescate.

**6 Frecuencia de inspección:** Las condiciones de trabajo extremas (entornos hostiles, uso prolongado, etc.) hacen que sea necesario aumentar la frecuencia de las inspecciones que realizan las personas competentes.

**2.6 CAÍDAS POR BALANCEO:** las caídas por balanceo se pueden producir cuando el punto de anclaje no está directamente por encima del punto donde se produce una caída (consulte la figura 4). La fuerza del golpe contra un objeto en una caída por balanceo puede causar lesiones graves, incluso la muerte. Trabaje en un lugar situado lo más directamente posible por debajo del punto de anclaje para minimizar la posibilidad de caídas con balanceo. No permita que ocurra una caída por balanceo si pudiera ser causa de lesiones. Las caídas por balanceo incrementarán considerablemente la distancia necesaria cuando se utiliza un dispositivo autorretráctil u otro subsistema de conexión de longitud variable.

**2.7 COMPATIBILIDAD DE COMPONENTES:** El equipo 3M está diseñado para su uso solo con componentes y subsistemas aprobados por 3M. Las sustituciones que se hagan con componentes o subsistemas no aprobados pueden poner en peligro la compatibilidad del equipo y afectar a la seguridad y fiabilidad de todo el sistema.

**2.8 COMPATIBILIDAD DE LOS CONECTORES:** Los conectores se consideran compatibles con los elementos de conexión cuando, sin importar cómo queden orientados, se han diseñado para trabajar en conjunto de manera que sus tamaños y formas no provoquen que sus mecanismos de apertura se abran inesperadamente. Póngase en contacto con 3M si tiene alguna duda sobre compatibilidad.

Los conectores deben cumplir con EN 362. Los conectores deben ser compatibles con el anclaje y los demás componentes del sistema. No utilice equipos que no sean compatibles. Los conectores no compatibles pueden desengancharse de manera accidental (consulte la Figura 5). Los conectores deben ser compatibles en tamaño, forma y resistencia. Si el elemento conector al que se acopla un mosquetón con cierre automático o un mosquetón es más pequeño de lo normal o tiene forma irregular, puede suceder que el elemento conector ejerza una fuerza sobre el mecanismo de apertura del mosquetón con cierre automático o el mosquetón (A). Esta fuerza puede hacer que el mecanismo de apertura se abra (B) y permitir que el mosquetón con cierre automático o el mosquetón se desenganchen del punto de conexión (C).

**2.9 HACER CONEXIONES:** Los mosquetones con cierre automático y mosquetones que haya que usar con este equipo deben ser de autobloqueo. Asegúrese de que todas las conexiones sean compatibles en tamaño, forma y resistencia. No utilice equipos que no sean compatibles. Asegúrese de que todos los conectores estén totalmente cerrados y bloqueados.

Los conectores 3M (mosquetones con cierre automático y mosquetones) están diseñados para usarse solo como se indica en las instrucciones del usuario del producto. Consulte la figura 6 para ver ejemplos de conexiones incorrectas. No conecte mosquetones con cierre automático y mosquetones:

- A. A una anilla en D que tenga otro conector acoplado.
- B. De una manera que suponga una carga sobre el mecanismo de apertura. Los mosquetones con cierre automático de abertura grande no deben conectarse a anillas D de tamaño estándar o a objetos similares, ya que podrían provocar una carga sobre el gancho si el mosquetón o la anilla D se torciera o girara, a menos que el mosquetón con cierre automático venga equipado con un gancho de 16 kN (1632 kg). Compruebe las marcas del mosquetón con cierre automático para verificar que es adecuado para su aplicación.
- C. En un acoplamiento en falso, las características que se proyectan desde el mosquetón con cierre automático o el mosquetón se enganchan al anclaje y, sin confirmación visual, parecen estar bien acoplados al punto de anclaje.
- D. Entre sí.
- E. Directamente con una cincha, eslinga de cuerda o de autoamarre (a menos que en las instrucciones del fabricante, tanto para la eslinga como para el conector, se permita tal conexión).
- F. A cualquier objeto con forma o dimensión tal que el mosquetón con cierre automático o mosquetón no se cierre ni se bloquee, o que pueda soltarse.
- G. De modo que el conector no quede correctamente alineado mientras está soportando carga.

### 3.0 INSTALACIÓN

La instalación del anclaje deslizante para vigas DBI-SALA debe someterse a supervisión a cargo de una persona competente<sup>1</sup>. La instalación deberá certificarla personal cualificado<sup>2</sup> para confirmar que cumple los criterios para un anclaje certificado o que es capaz de soportar las fuerzas potenciales a las que podría quedar expuesta durante una caída.

**3.1 PLANIFICACIÓN:** planifique su sistema de protección contra caídas antes de instalar el anclaje deslizante para vigas. Tenga en cuenta todos los factores que podrían afectar a su seguridad antes, durante y después de una caída. Considere todos los requisitos, limitaciones y especificaciones definidos en el Apartado 2 y en la Tabla 1.

**Topes de parada:** Los topes de parada, que cumplen los requisitos de resistencia de anclaje de la Tabla 1, deben estar presentes en ambos extremos de la viga. Si la viga está inclinada o es vertical, el anclaje deslizante para vigas debe estar al lado del tope de parada para evitar que el anclaje deslizante para vigas se mueva en una caída.

**3.2 INSTALACIÓN DEL ANCLAJE DESLIZANTE PARA VIGAS:** El anclaje deslizante para vigas se puede instalar en vigas que cumplan con los requisitos de anclaje especificados en la Tabla 1. Consulte la Figura 1 para conocer el Ancho de brida de viga (A) y el Espesor (B) permitidos para cada modelo de anclaje deslizante para vigas. El anclaje deslizante para vigas puede montarse en la parte superior (A), en la parte inferior (B) o lateral (C o D) en la viga (consulte la Figura 7). La Figura 8 ilustra la instalación del anclaje deslizante para vigas. Para instalar el anclaje deslizante para vigas:

1. Presione la liberación de cerradura de lengüeta en cada gancho de extremo, ajuste los ganchos de extremo para que quepan sobre la brida de viga con el anillo de conector centrado entre los ganchos de extremo, y luego suelte la liberación de bloqueo de lengüeta.
2. Coloque el anclaje deslizante para vigas en la brida de la viga con el anillo conector centrado en la viga. Deslice los ganchos de extremo hacia adentro hasta que queden apretados en la brida de la viga.
3. Con las cerraduras de lengüeta en la posición de bloqueo, mueva los ganchos de extremo hacia adentro o hacia afuera ligeramente para asegurarse de que los trinquetes de bloqueo estén completamente enganchados con los dientes de la barra.

**Hueco del gancho de extremo:** El espacio total entre los ganchos de extremo y la brida de viga no debe ser mayor que 14,3 mm (9/16 pulg.). Consulte la Figura 1.

4. Inspeccione su instalación para confirmar que el anclaje deslizante para vigas no pueda desprenderse de la viga en ningún punto a lo largo de la línea de movimiento prevista o en los extremos o juntas de la viga. Las juntas entre las secciones de la viga deben estar al ras con un espacio máximo de 12,7 mm (1/2 pulg.).

### 4.0 USO

**4.1 ANTES DE CADA USO:** cerciórese de que la zona de trabajo así como el sistema personal de detención de caídas (PFAS) cumplen todos los criterios definidos en el Apartado 2 y que existe un plan de rescate oficial previsto. Revise el anclaje deslizante para vigas conforme a los puntos de inspección de "usuario" definidos en el "registro de inspección y mantenimiento" (Tabla 2). No utilice el sistema si la inspección revela una condición no segura o defectuosa. Deje de usar el sistema y deséchelo, y póngase en contacto con 3M para cuestiones de reemplazo o reparación.

**4.2 CONECTORES DE DETENCIÓN DE CAÍDAS:** El anclaje deslizante para vigas se usa con un arnés de cuerpo entero y una eslinga con absorción de energía o un dispositivo autorretráctil (SRD). La Figura 9 ilustra la conexión de la eslinga (A) o SRD (B) entre el arnés y el anclaje deslizante para vigas. Conecte la eslinga o el SRD entre la anilla D del anclaje deslizante para vigas y la anilla D dorsal en el arnés, conforme a las instrucciones incluidas con la eslinga o el SR.

### 5.0 INSPECCIÓN

**5.1 FRECUENCIA DE INSPECCIÓN:** El anclaje deslizante para vigas se debe inspeccionar en los intervalos definidos en el apartado 1. Los procedimientos de inspección se describen en el "Registro de inspección y mantenimiento" (Tabla 2). Inspeccione todos los demás componentes del sistema de protección anticaídas según las frecuencias y procedimientos definidos en las instrucciones de sus respectivos fabricantes.

más condiciones extremas de Unas condiciones funcionamiento en el entorno uso prolongado etc pueden requerir que las inspecciones sean duras frecuentes ntes.

Los anclajes deslizantes para vigas están equipados con una etiqueta de identificación por radiofrecuencia (RFID). La etiqueta RFID puede usarse junto con el dispositivo de lectura portátil para simplificar la inspección y el control del inventario y para proporcionar registros para su equipo de protección contra caídas.

**5.2 DEFECTOS:** Si la inspección revela una condición poco segura o defectuosa, deje de usar el anclaje deslizante para vigas inmediatamente, y póngase en contacto con 3M Fall Protection para repararlo o sustituirlo. No intente reparar el sistema de detención de caídas.

**Solo reparaciones autorizadas:** Solo 3M o las partes autorizadas por escrito pueden reparar este equipo.

**5.3 VIDA ÚTIL DEL PRODUCTO:** La vida útil del sistema de detención de caídas depende de las condiciones de trabajo y mantenimiento. Siempre que el producto pase los criterios de inspección, puede seguir utilizándose.

**1 Persona competente:** Una persona capaz de identificar peligros existentes y predecibles en los alrededores o condiciones de trabajo antihigiénicas, peligrosas o perjudiciales para los empleados, y que cuenta con autorización para tomar medidas correctivas rápidas para eliminarlos.

**2 PERSONA CUALIFICADA:** Esta otra persona estará debidamente cualificada o tendrá certificación profesional y experiencia suficiente en sistemas de protección anticaídas. Esta persona deberá ser capaz de diseñar, analizar, evaluar y especificar el sistema de protección anticaídas.



## 6.0 MANTENIMIENTO, REPARACIÓN Y ALMACENAMIENTO

- 6.1 LIMPIEZA:** Limpie los componentes de metal del anclaje deslizante para vigas periódicamente con un cepillo suave, agua templada y una solución jabonosa suave. Asegúrese de enjuagar perfectamente las partes con una abundante agua limpia.
- 6.2 DESMONTAJE E INSTALACIÓN DEL PROTECTOR DE DESGASTE:** Los protectores de desgaste son el único componente que se puede reparar por el usuario del anclaje deslizante para vigas. La Figura 10 ilustra el reemplazo de los protectores de desgaste. Si la inspección revela protectores rotos o gastados, realice los siguientes pasos para quitar los protectores viejos e instalar los nuevos protectores de repuesto.
1. Inserte un destornillador de cabeza plana entre la parte superior del protector de desgaste de plástico y la abrazadera de extremo.
  2. Deslice el destornillador hacia la parte frontal del protector de desgaste y haga palanca hacia el extremo. Inserte el destornillador entre la parte inferior del protector de desgaste de plástico y la abrazadera de extremo. Deslice el destornillador hacia la parte frontal del protector de desgaste y haga palanca hacia el extremo.
  3. Saque la parte inferior del protector de desgaste y retírela de la abrazadera de extremo. Deseche el protector de desgaste anterior.
  4. Deslice el nuevo protector de desgaste en la abrazadera de extremo. Aplique presión para encajar el nuevo protector de desgaste en su lugar.
- 6.3 MANTENIMIENTO:** Solo 3M o las partes autorizadas por escrito por 3M pueden reparar este equipo. Si el anclaje deslizante para vigas ha estado sometido a fuerza de caída, debe retirarse inmediatamente del servicio, marcarse claramente "NO USAR" y luego destruirse. Si la inspección revela una condición poco segura o defectuosa, deje de usar el sistema y póngase en contacto con 3M Fall Protection para repararlo o sustituirlo.
- 6.4 ALMACENAMIENTO Y TRANSPORTE:** Cuando no esté en uso, o cuando sea necesario, guarde y transporte el anclaje deslizante para vigas y el equipo de protección anticaídas correspondiente en un entorno fresco, seco y limpio, alejado de la luz solar directa. Evite las zonas donde pueda haber vapores químicos. Inspeccione exhaustivamente los componentes después de un período prolongado de almacenamiento.

## 7.0 ETIQUETADO

La Figura 11 ilustra las etiquetas del anclaje deslizante para vigas. Si las etiquetas no son plenamente legibles, deben sustituirse. La información de las etiquetas es la siguiente:

Ⓐ	Etiqueta de RFID
Ⓑ	Etiqueta de advertencia: 1) Inspeccione el anclaje deslizante para vigas. 2) No lo repare. El mantenimiento y reparación de este producto debe realizarlo un centro de servicio autorizado. 3) Intervalo de temperatura -40 °C - + 60 °C. 4) Lugares de instalación e intervalos de trabajo aceptables. Instale solo en vigas verticales y horizontales con topes de parada. 5) Guarde los anclajes deslizantes para vigas en un lugar fresco, seco y limpio, sin exponerlo directamente a la luz solar. 6) No quite las etiquetas del anclaje deslizante para vigas. 7a) No usar en vigas sin topes de parada. 7b) Instalación correcta en vigas con topes de parada. 8a) Instalar en estructuras clasificadas para 12kN o más. 8b) No usar en estructuras clasificadas con menos de 12 kN. 9) No usar en vigas inclinadas.
Ⓒ	10) Lea las instrucciones del producto. 11) Capacidad máxima: 140 kg (310 lbs). 12) ID del organismo notificado. 13) Año y mes de fabricación. 14) Número de lote. 15) Número de modelo. 16) Lugares de instalación e intervalos de trabajo aceptables. Instalar en estructuras clasificadas para 12kN o más. 17) Registro de inspecciones. 18) Fecha de la inspección. 19) Iniciales del inspector. 20) Número de modelo de anclaje deslizante para vigas, anchos de bridas de vigas permitidas y espesores de bridas de vigas permitidas.

**Tabla 2: Registro de inspección y mantenimiento**

Fecha de la inspección:		Inspeccionado por:	
Componentes:	Inspección: (Véase la sección 1 para conocer la frecuencia de las inspecciones)	Usuario	Persona competente <sup>1</sup>
Anclaje deslizante para vigas (Figura 2)	Inspeccione el daño del anclaje deslizante para vigas: Busque fisuras, mellas o deformaciones.	<input type="checkbox"/>	<input type="checkbox"/>
	Inspeccione si hay doblez o desgaste en el brazo de soporte (A), el anillo del conector (B), el soporte del anillo del conector, los extremos del gancho (C) y las cerraduras de lengüeta (D).	<input type="checkbox"/>	<input type="checkbox"/>
	Inspeccione si faltan piezas (remaches, tornillos centrales, etc.).	<input type="checkbox"/>	<input type="checkbox"/>
	Inspeccione todo el equipo para comprobar que no haya corrosión.	<input type="checkbox"/>	<input type="checkbox"/>
	Inspeccione los protectores de desgaste para garantizar que no se hayan desgastado hasta tal punto en que los extremos en forma de gancho se encuentren en contacto directo con el ala de la viga. Reemplace los protectores de desgaste desgastados o agrietados. (véase Desmontaje e instalación del protector de desgaste)	<input type="checkbox"/>	<input type="checkbox"/>
	Inspeccione los dientes de la barra de soporte (A) para detectar desgaste o daños. Asegúrese de que el enganche de bloqueo se acoplará por completo a cada diente de forma automática después de la liberación de las cerraduras de lengüeta (D).	<input type="checkbox"/>	<input type="checkbox"/>
	Asegúrese de que las cerraduras de engüeta (D) funcionen libremente, que retrocedan por completo y se acoplen automáticamente con los dientes de la barra de soporte (A).	<input type="checkbox"/>	<input type="checkbox"/>
Etiquetas (Figura 11)	Verifique que estén todas las etiquetas de seguridad y que estén correctamente fijadas y sean legibles (consulte "Etiquetas").	<input type="checkbox"/>	<input type="checkbox"/>
PFAS y otros equipos	El equipo adicional (arnés, SRL, etc.) para el sistema personal de detención de caídas (PFAS) que se utilice con el sistema de anclaje debe instalarse e inspeccionarse conforme a las instrucciones del fabricante.	<input type="checkbox"/>	<input type="checkbox"/>

<b>Números de serie:</b>	<b>Fecha de compra:</b>
<b>Número de modelo:</b>	<b>Fecha del primer uso:</b>
<b>Acción correctora/Mantenimiento:</b>	Aprobado por:
	Fecha:
<b>Acción correctora/Mantenimiento:</b>	Aprobado por:
	Fecha:
<b>Acción correctora/Mantenimiento:</b>	Aprobado por:
	Fecha:
<b>Acción correctora/Mantenimiento:</b>	Aprobado por:
	Fecha:
<b>Acción correctora/Mantenimiento:</b>	Aprobado por:
	Fecha:
<b>Acción correctora/Mantenimiento:</b>	Aprobado por:
	Fecha:
<b>Acción correctora/Mantenimiento:</b>	Aprobado por:
	Fecha:
<b>Acción correctora/Mantenimiento:</b>	Aprobado por:
	Fecha:
<b>Acción correctora/Mantenimiento:</b>	Aprobado por:
	Fecha:
<b>Acción correctora/Mantenimiento:</b>	Aprobado por:
	Fecha:
<b>Acción correctora/Mantenimiento:</b>	Aprobado por:
	Fecha:

<sup>1</sup> **Persona competente:** Una persona capaz de identificar peligros existentes y predecibles en los alrededores o condiciones de trabajo antihigiénicas, peligrosas o perjudiciales para los empleados, y que cuenta con autorización para tomar medidas correctivas rápidas para eliminarlos.



# TURVALLISUUSTIEDOT

**Kaikki näissä ohjeissa olevat turvallisuustiedot tulee lukea sekä ymmärtää, ja niitä tulee noudattaa ennen tämän ankkurikiinnikkeen käyttöä. EDELLÄ MAINITUN LAIMINLYÖNTI VOI JOHTAA VAKAAN LOUKKAANTUMISEEN TAI KUOLEMAAN.**

**Nämä ohjeet tulee antaa näiden varusteiden käyttäjälle. Säilytä nämä ohjeet myöhempää tarvetta varten.**

## Käyttötarkoitus:

Tämä ankkurikiinnike on tarkoitettu käytettäväksi osana kokonaista henkilönsuojaimiin kuuluvaa putoamisenestojärjestelmää.

Käyttö muihin tarkoituksiin, kuten materiaalien käsittelyyn, virkistys- tai urheilutoimintaan tai muuhun sellaiseen toimintaan, joita ei käyttöohjeessa kuvata, ei ole 3M:n hyväksymää ja saattaa johtaa vakavaan loukkaantumiseen tai kuolemaan.

Tätä laitetta voivat käyttää ainoastaan koulutetut käyttäjät työskentelytarkoituksiin.

## VAROITUS

Tämä ankkurikiinnike on osa henkilönsuojaimiin kuuluvaa putoamisenestojärjestelmää. Kaikkien käyttäjien odotetaan olevan täysin koulutettuja omien henkilökohtaisten putoamisenestojärjestelmiensä turvallisen asentamisen ja käytön suhteen. **Tämän laitteen väärinkäyttö saattaa johtaa vakavaan loukkaantumiseen tai kuolemaan.** Tietoja asianmukaisesta valinnasta, käytöstä, asennuksesta, ylläpidosta ja huollosta saat tutkimalla näitä käyttöohjeita ja kaikkia valmistajan suosituksia, kysymällä esimieheltäsi tai ottamalla yhteyttä 3M:n tekniseen palveluun.

- **Vähentääksesi ankkurikiinnikkeiden kanssa työskentelyyn liittyviä riskejä, jotka mahdollisesti voivat aiheuttaa vakavan loukkaantumisen tai kuoleman:**
  - Kaikki järjestelmän komponentit tulee tarkastaa ennen jokaista käyttökertaa, vähintään kerran vuodessa ja jokaisen putoamistapauksen jälkeen. Suorita tarkastus käyttöohjeiden mukaisesti.
  - Jos valtuutetussa tarkastuksessa ilmenee vaarallinen tai viallinen tila, poista laite käytöstä ja korjaa tai vaihda se käyttöohjeiden mukaisesti.
  - Kaikki laitteet, joita on käytetty putoamisen pysäyttämiseen tai joihin on kohdistunut putoamiseneston iskuvoima, tulee välittömästi poistaa käytöstä ja hävittää.
  - Laite tulee asentaa ainoastaan niille alustoille tai rakenteille, joille se on tarkoitettu ja jotka on mainittu käyttöohjeissa. Muu kuin ohjeen kuvaama asennus tai käyttö tulee hyväksyttäväksi 3M Fall Protectionilla.
  - Sen alustan tai rakenteen, johon ankkurointiliitin kiinnitetään, tulee kannattaa käyttöohjeessa ilmoitetuissa sallituissa suunnissa ankkurille määritetyt staattiset kuormat.
  - Kytke putoamiseneston alijärjestelmät ainoastaan laitteen niille määrättyyn ankkurointikiinnityskohtaan.
  - Varmista ennen poraamista tai kiinnittämistä, ettei poran tai laitteen kanssa pääse kosketuksiin sähköjohtoja, kaasujohtoja tai muita tärkeitä sisäisiä järjestelmiä.
  - Varmista, että muiden valmistajien komponenteista kootut putoamisenestojärjestelmät/alijärjestelmät ovat yhteensopivia ja täyttävät asianomaisten standardien vaatimukset, mukaan lukien ANSI Z359, tai muut sovellettavat putoamisenestokoodit, -standardit tai -vaatimukset. Ennen näiden järjestelmien käyttöä tulee aina kääntyä pätevän tai pätevidyn henkilön puoleen.
- **Vähentääksesi korkealla työskentelyyn liittyviä riskejä, jotka mahdollisesti voivat aiheuttaa vakavan loukkaantumisen tai kuoleman:**
  - Varmista, että terveydentilasi ja fyysinen kuntosi on tarpeeksi hyvä, jotta pystyt kestäämään kaikki korkealla työskentelyyn liittyvät voimat. Keskustele lääkärisi kanssa, mikäli sinulla on kysyttävää näiden laitteiden käyttöön liittyvistä valmiuksistasi.
  - Älä koskaan ylitä putoamisenestolaitteiden sallittua kapasiteettia.
  - Älä koskaan ylitä putoamisenestolaitteiden vapaan pudotuksen enimmäisetäisyyttä.
  - Älä käytä putoamisenestolaitteita, jotka eivät läpäise ennen käyttöä tehtäviä tai muita suunniteltuja tarkastuksia tai jos olet huolissasi laitteiden käytöstä tai sopivuudesta käyttötarkoitukseen. Jos sinulla on kysyttävää, ota yhteyttä 3M:n tekniseen palveluun.
  - Jotkut alajärjestelmä- ja osayhdistelmät saattavat häiritä tämän laitteen toimintaa. Käytä vain yhteensopivia liitäntöjä. Ota yhteyttä 3M:ään ennen tämän laitteen käyttöä yhdessä sellaisten osien tai alajärjestelmien kanssa, joita ei kuvata tässä käyttöohjeessa.
  - Ota käyttöön ylimääräiset varotoimenpiteet, kun työskentelet liikkuvien laitteiden (esim. öljynporaustornien koneistot), sähkövaarojen, korkeiden lämpötilojen, kemiallisten vaarojen, räjähtävien tai myrkyllisten kaasujen tai terävien reunojen läheisyydessä tai yläpuolellasi sijaitsevien materiaalien lähellä, jotka voivat pudota päällesi tai putoamisenestolaitteen päälle.
  - Käytä valokaari- tai kuumatyölaitteita, kun työskentelet erittäin kuumissa ympäristöissä.
  - Vältä pintoja ja esineitä, jotka voivat vahingoittaa käyttäjää tai laitteita.
  - Varmista, että korkealla työskennellessä käytössä on riittävä putoamiskorkeus.
  - Älä koskaan muokkaa tai muuta putoamisenestolaitetta. Vain 3M tai sen kirjallisesti valtuuttamat tahot saavat tehdä korjauksia tähän laitteeseen.
  - Ennen putoamisenestolaitteiden käyttöä varmista, että käytössä on pelastussuunnitelma, jonka avulla voidaan toteuttaa nopea pelastus putoamistapaturman tapahtuessa.
  - Jos putoamistapaturma tapahtuu, hae välittömästi lääkinällistä apua pudonneelle työntekijälle.
  - Älä käytä varalovyyötä putoamisenestosovelluksissa. Käytä ainoastaan kokovartalovaljaita.
  - Minimoi heilahtavan putoamisen mahdollisuus työskentelemällä niin suoraan ankkurointipisteen alla kuin mahdollista.
  - Mikäli laitteella harjoitellaan, on käytettävä toissijaista putoamisenestojärjestelmää tavalla, joka ei altista koulutettavaa henkilöä tahattomalle putoamiselle.
  - Käytä aina asianmukaisia henkilösuojaimia kun asennat, käytät tai tarkastat laitetta/järjestelmää.

Merkitse ennen tämän tuotteen asennusta ja käyttöä tuotteen tunnistustiedot sen tunnusmerkinnästä tämän käyttöoppaan takana olevaan tarkastus- ja kunnossapitolokiin (taulukko 2).

## TUOTEKUVAUS:

Kuvassa 1 on 3M™ DBI-SALA™ -liukupalkkiankkuri. Liukupalkkiankkuri on yksipisteankkurointikiinnike putoamisenestojärjestelmään tai varmistusjärjestelmään. Se on suunniteltu kiinnitettäväksi palkkiin.

Kuvassa 2 on liukupalkkiankkurin osat. Katso osaspesifikaatiot taulukosta 1. Liukupalkkiankkuri koostuu pykälöidystä tukitangosta (A), jossa on nivelletty liitinrenas (B) ja säädettävät päätykoukut (C), jotka kiinnittyvät palkin laipan yli tukitangon pykäliin kiinnittyvin salpalukoin (D). Liukupalkkiankkuri liukuu palkilla pehmeästi kuluvien pehmusteiden päällä (E). Turvaköysi tai itsekelautuva laite kiinnitetään liukupalkkiankkurin nivelletyn liitinrenkaan ja käyttäjän kokovartalovaljaiden asianmukaisen kiinnityselementin väliin.

**Taulukko 1 – Tekniset tiedot**

Järjestelmän tekniset tiedot:		
<b>Kapasiteetti:</b>	1 henkilö, jonka kokonaispaino (vaatteet, työkalut jne.) ei ylitä: 140 kg standardin EN 795 mukaan.	
<b>Tuen vahvuus:</b>	Tarvittava ankkuroinnin vahvuus riippuu käytöstä. <b>Kiinnityspisteen rakenne:</b> Ankkurointikiinnikkeen kiinnityskohtana toimivan rakenteen tulee kestää voimaa oletetuissa kuormitus suunnissa. Kunkin ankkurointipisteen tulee kestää seuraavat arvot:	
	<b>EN 795</b>	12 kN
<b>Käyttölämpötila</b>	-40 °C Alin käyttölämpötila	
<b>Ankkurointikiinnikkeen murtolujuus:</b>	22 kN Murtolujuus vähintään	
<b>Mitat:</b>	Katso kuvasta 1 kunkin liukupalkkiankkurimallin mitat.	
<b>Paino:</b>	Katso kuvasta 1 kunkin liukupalkkiankkurimallin paino.	
Osaspesifikaatiot:		
Kuva 2, viite	Osa	Materiaalit:
Ⓐ	Tukitanko	Alumiiniseos
Ⓑ	Liitinrenas	Seosteräs
Ⓒ	Päätykoukut	Alumiiniseos
Ⓓ	Salpalukot	Seosteräs
Ⓔ	Kuluvat pehmusteet	Nailon

## 1.0 TUOTTEEN KÄYTTÖKOHDTE

**1.1 TARKOITUS:** Ankkurointikiinnikkeet on suunniteltu antamaan ankkurointikiinnityskohdan putoamisenesto<sup>-1</sup> ja varmistus<sup>2</sup>järjestelmille: Varmistus, työasemointi, henkilönsiirto, pelastus jne.

**Vain putoamissuojaukseen:** Tämä ankkurointikiinnike on tarkoitettu putoamissuojainten kiinnittämiseen. Älä kiinnitä tähän ankkurointikiinnikkeeseen nostolaitteita.

- 1.2 STANDARDIT:** Ankkurointikiinnike täyttää ne maan ja alueen standardit, jotka on merkitty näiden ohjeiden etukanteen. Jos tätä tuotetta jälleenmyydään alkuperäisen kohdemaan ulkopuolella, jälleenmyyjän on toimitettava nämä ohjeet tuotetta käyttävän maan omalla kielellä.
- 1.3 VALVONTA:** Tämän laitteen käyttö tulee tapahtua pätevän henkilön valvonnassa<sup>3</sup>.
- 1.4 KOULUTUS:** Näiden varusteiden asentajien ja käyttäjien tulee olla koulutettuja oikeanlaista käyttöä varten. Tätä käyttöohjetta tulee käyttää osana CE-vaatimusten mukaista työntekijöiden koulutusohjelmaa. Varusteen käyttäjien ja asentajien vastuulla on perehtyä näihin ohjeisiin, hankkia koulutusta varusteen asianmukaisissa käyttö- ja huoltotavoissa sekä tuntea varusteen käyttöominaisuudet, käytön rajoitukset ja vääränlaisen käytön aiheuttamat seuraukset.
- 1.5 PELASTUSSUUNNITELMA:** Työnantajalla on laitetta ja siihen liitettyjä lisäjärjestelmiä käytettäessä oltava pelastussuunnitelma ja valmiudet sekä suunnitelman toteuttamiseksi että siitä tiedottamiseksi laitteen käyttäjille, valtuutetuille henkilöille<sup>4</sup> ja pelastushenkilöstölle<sup>5</sup>. Koulutettua, paikan päällä olevaa pelastushenkilöstöä suositellaan. Pelastushenkilöstön jäsenillä tulisi olla hallussaan onnistuneeseen pelastamiseen tarvittavat laitteet ja tekniikka. Pelastushenkilöstön riittävä määrä tulee varmistaa antamalla koulutusta säännöllisin väliajoin.
- 1.6 TARKASTUSTEN TIHEYS:** Käyttäjän tulee tarkastaa ankkurointikiinnike ennen jokaista käyttökertaa. Tämän lisäksi jonkun toisen pätevän henkilön (muu kuin käyttäjä itse) tulee tarkastaa se vähintään vuoden välein.<sup>6</sup> Tarkastustoimet on kuvattu kohdassa "Tarkastus- ja kunnossapitoloki". Kaikkien pätevän henkilön suorittamien tarkastusten tulokset tulee tallentaa tämän käyttöoppaan lopusta löytyvään "Tarkastus- ja kunnossapitolokiin".
- 1.7 PUTOAMISEN JÄLKEEN:** Mikäli ankkurointikiinnikkeeseen kohdistuu putoamisen estämisestä aiheutunut voima, se tulee poistaa käytöstä välittömästi, merkitä selkeästi "ÄLÄ KÄYTÄ" ja sitten hävittää.

## 2.0 JÄRJESTELMÄVAATIMUKSET

- 2.1 KIINNITYS:** Kiinnitysvaatimukset vaihtelevat käytettävän putoamissuojaimen mukaan. Rakenteen, johon ankkurointikiinnike sijoitetaan tai kiinnitetään tulee vastata taulukossa 1 esitettyjä kiinnitysvaatimuksia.
- 2.2 PUTOAMISSUOJAINJÄRJESTELMÄ:** Kuva 1 näyttää tämän ankkurointikiinnikkeen käytön. Järjestelmän kanssa käytettävien putoamisen pysäyttävien järjestelmien tulee olla sovellettavien putoamissuojaimia koskevien standardien, lakien ja vaatimusten mukainen. Putoamisen pysäyttävän järjestelmän tulee sisältää kokovartalovaljaat, ja pysäytysvoima tulee rajoittaa seuraaviin arvoihin:

	Suurin sallittu pysäytysvoima	Vapaa pudotus
Iskunvaimenninköydellä varustettu putoamissuojainjärjestelmä	6 kN	Katso turvaköyden tai itsekelaautuvan laitteen ohjeista vapaan pudotuksen rajoitukset.
Itsekelaautuvalla laitteella varustettu putoamissuojainjärjestelmä	6 kN	

- 2.3 PUTOAMISREITTI JA ITSEKELAUTUVAN LAITTEEN LUKITTUMISNOPEUS:** Itsekelautuva laite vaatii lukkiutuakseen esteettömän väylän. Vältä tilanteita, joissa esteetön putoaminen ei ole mahdollista. Työskentely ahtaissa tai kapeissa tiloissa saattaa estää kehoa saavuttamasta riittävää putoamisnopeutta itsekelaautuvan laitteen lukittumiselle putoamistilanteessa. Hiekan tai viljan kaltaisten hitaasti liikkuvien materiaalien päällä työskentely ei välttämättä mahdollista riittävää nopeutta itsekelaautuvan laitteen lukittumiseksi.
- 2.4 VAARAT:** Näiden varusteiden käyttö vaarallisissa ympäristöissä voi vaatia ylimääräisiä turvajärjestelyjä, jotta estetään käyttäjän vammautuminen ja varusteiden vahingoittuminen. Vaaratekijöitä voivat olla muun muassa kuumuus, kemikaalit, syövyttävät ympäristöt, korkeajännitelinjat, räjähtävät tai myrkylliset kaasut, liikkuvat koneet, terävät reunat tai korkealla olevat, mahdollisesti putoavat ja käyttäjään tai putoamissuojainjärjestelmään osuvat materiaalit.
- 2.5 VAPAA PUTOAMISKORKEUS:** Kuvassa 3 on esitetty putoamisenestojärjestelmän osat. Käyttäjän alapuolella tulee olla riittävästi tyhjää tilaa, jotta putoaminen pysähtyisi, ennen kuin käyttäjä osuu maahan tai muuhun esteeseen. Tyhjän tilan kokoon vaikuttavat monet tekijät, kuten Kiinnityspaikka, (A) taljaköyden pituus, (B) taljaköyden vauhdin hidastusmatka tai itsekelaautuvan taljaköyden suurin pysähtymismatka, (C) valjaiden venyminen ja D-renkaan tai liittimen pituus ja liikkeen pysähtymismatka. Katso putoamistilan laskentaa koskevat määräykset putoamiseneston lisäjärjestelmän ohjeista.

**1 Putoamisenestojärjestelmä:** Putoamissuojainmallisto vapaan pudotuksen pysäyttämiseen.

**2 Varmistusjärjestelmä:** Putoamissuojainmallisto, joka ehkäisee työntekijän painopisteen menettämistä ja putoamisvaaran syntymistä.

**3 Pätevä henkilö:** Henkilö, joka pystyy tunnistamaan olemassa olevat ja ennustettavat vaaratekijät ympäristössä tai työolosuhteissa, jotka ovat vaarallisia, epähygieenisia tai vaarallisia työntekijöille, ja jolla on valtuudet ryhtyä toimiin niiden poistamiseksi.

**4 Valtuutettu henkilö:** Z359-standardin mukaisesti työnantajan määräämä henkilö, joka suorittaa tehtäviä sellaisessa paikassa, jossa henkilöt altistuvat putoamisvaaralle.

**5 Pelastaja:** Muu kuin pelastettava henkilö tai pelastettavat henkilöt, jotka avustavat pelastustyössä käyttäen pelastusjärjestelmää.

**6 Tarkastusväli:** Äärimmäiset työolosuhteet (vaativat ympäristöt, pitkäaikainen käyttö jne.) voivat vaatia tarkastusten suorittamista pätevän henkilön toimesta useammin.

- 2.6 HEILAHDUSPUTOAMISET:** Putoaminen tapahtuu heilahtamalla, jos ankkurointipiste ei ole suoraan putoamiskohdan yläpuolella (katso kuva 4). Iskeytyminen esteeseen heilahtavassa putoamisessa voi aiheuttaa vakavan vamman tai kuoleman. Minimoi heilahtavan putoamisen mahdollisuus työskentelemällä niin suoraan ankkurointipisteen alla kuin mahdollista. Älä salli heilahtavaa putoamista, jos se voi aiheuttaa vamman. Heilahtavat putoamiset lisäävät huomattavasti tarvittavaa liikkumavaraa, kun käytetään itsestään kelautuvaa laitetta tai muuta vaihtelevan mittaista kiinnitysjärjestelmää.
- 2.7 OSIEN YHTEENSOPIVUUS:** 3M-laitteet on tarkoitettu käytettäväksi 3M:n hyväksymien osien ja alajärjestelmien kanssa. Osien vaihtaminen ja korvaaminen muihin kuin hyväksytyihin osiin ja alajärjestelmiin voi vaarantaa laitteiston yhteensopivuuden sekä vaikuttaa koko järjestelmän turvallisuuteen ja luotettavuuteen.
- 2.8 LIITTIMIEN YHTEENSOPIVUUS:** Liittimiä pidetään yhteensopivina liitettävien osien kanssa, kun ne on suunniteltu toimimaan yhdessä siten, että niiden koko ja muoto eivät aiheuta lukkomekanismien tahatonta aukeamista riippumatta niiden asennosta. Ota yhteyttä 3M:ään, jos sinulla on kysyttävää yhteensopivuudesta.
- Liittimien tulee noudattaa EN 362 -standardia. Liittimien tulee olla yhteensopivia ankkuroinnin ja muiden järjestelmän osien kanssa. Älä käytä yhteensopimattomia varusteita. Ei-yhteensopivat liittimet voivat irrota vahingossa (katso kuva 5). Liittimien on oltava kooltaan, muodoltaan ja vahvuudeltaan yhteensopivia. Jos osa, johon jousihaka tai karbiinihaka kiinnitetään, on liian pieni tai epäsäännöllisen muotoinen, on mahdollista, että kiinnitetty osa kohdistaa voimaa jousihaan tai karbiinihaan lukitusosaan (A). Tämä voima saattaa aiheuttaa kidan avautumisen (B) ja päästää jousihaan tai karbiinihaan irtoamaan kiinnityspisteestä (C).
- 2.9 KYTKEMINEN:** Näiden varusteiden kanssa käytettävien jousihakojen ja karbiinihakojen tulee olla itselukittuvia. Varmista, että kaikki liittimet ovat yhteensopivia kooltaan, muodoltaan ja lujuudeltaan. Älä käytä yhteensopimattomia varusteita. Varmista, että kaikki liittimet ovat täysin suljettuja ja lukittuja.
- 3M:n liittimet (jousihaat ja karbiinit) on suunniteltu käytettäväksi vain kyseisten tuotteiden käyttöohjeissa kuvatulla tavalla. Katso kuvasta 6 esimerkkejä vääristä liittämisestä. Jousihakoja tai karabiineja ei saa kiinnittää:
- A. D-renkaaseen, johon on kiinnitetty toinen liitin.
  - B. siten, että lukitusosaan kohdistuu kuorma. Isoleukaisia jousihakoja ei tule kiinnittää vakiokoon D-renkasiin tai vastaaviin osiin, jotka aiheuttavat kidan kuormittumista, jos haka tai D-rengas kääntyy tai pyörii, ellei jousihaassa ole 16 kN:n (1 633 kg) kita. Tarkista jousihaassa oleva merkintä varmistaaksesi, että se sopii käyttötarkoitukseesi.
  - C. virheellisesti siten, että säppihaan tai karabiinin ulospäin työntyvät osat tarttuvat ankkuriin, ja joka näyttää täysin kiinnitettyltä ankkuripisteeseen, jollei sitä tarkasteta silmämääräisesti.
  - D. toisiinsa.
  - E. suoraan punokseen tai köyteen tai ympärusköyteen (ellei sekä köyden että liittimen valmistajan ohjeissa nimenomaan sallita tällaista liitosta)
  - F. mihin tahansa esineeseen, joka on muodoltaan tai kooltaan sellainen, että säppihaka tai karabiini ei sulkeudu ja lukitu tai että haka voi tippua pois.
  - G. siten, että liitin ei kuormattuna pysty asettumaan oikein.

### 3.0 ASENNUS

*Pätevän henkilön<sup>1</sup> tulee valvoa DBI-SALA-liukupalkkiankkurin asennusta. Pätevän henkilön<sup>2</sup> tulee sertifioida asennus sertifioidun ankkuroinnin kriteerit täyttäväksi tai että asennus kestää putoamisen aikana järjestelmään kohdistuvan voiman.*

- 3.1 SUUNNITTELU:** Suunnittele putoamissuojajärjestelmä ennen liukupalkkiankkurin asentamista. Ota huomioon kaikki tekijät, jotka voivat vaikuttaa turvallisuuteen ennen putoamista, sen aikana ja sen jälkeen. Ota huomioon kaikki osioissa 2 ja taulukossa 1 luetellut vaatimukset, rajoitukset ja tekniset tiedot.

***Päätöspäätymiset:** Palkin kummassakin päässä tulee olla taulukossa 1 esitetyn ankkuroinnin vahvuuden vaatimusten mukaiset päätöspäätymiset. Jos palkki on kalteva tai pystysuuntainen, liukupalkkiankkurin tulee olla alemman päätöspäätymisen vieressä, jotta liukupalkkiankkuri ei liiku putoamistapauksessa.*

- 3.2 LIUKUPALKKIANKKURIN ASENNUS:** Liukupalkkiankkuri voidaan asentaa taulukossa 1 esitettyjen kiinnitysvaatimusten mukaisiin palkkeihin. Katso kuvasta 1 palkin laipan sallittu leveys (A) ja paksuus (B) kunkin liukupalkkiankkurimallin osalta. Liukupalkkiankkuri voidaan kiinnittää ylös (A), alas (B) tai palkin sivulle (C tai D), katso kuva 7. Kuva 8 esittää liukupalkkiankkurin asennuksen. Liukupalkkiankkurin asennus:

1. Paina salpalukon vapautus kustakin päätöspäätymisestä, säädä päätökoukut siten, että ne sopivat palkin laipan yli, pidä liitinrenkas keskellä päätökoukkujen välissä ja vapauta sitten salpalukon vapautus.
2. Aseta liukupalkkiankkuri palkin laipalle liitinrenkaan ollessa palkin keskellä. Liu'uta päätökoukkuja sisäänpäin, kunnes ne ovat tiukasti palkin laipalla.
3. Salpalukkojen ollessa lukitusasennossa siirrä päätökoukkuja hieman sisäänpäin tai ulospäin varmistaaksesi, että lukitusosalvat ovat täysin kiinnittyneet tangon hampaisiin.

***Päätökoukkujen väli:** Päätökoukkujen ja palkin laipan välinen etäisyys ei saa ylittää 14,3 mm. Katso kuva 1.*

4. Tarkista asennus ja varmista, ettei liukupalkkiankkuri voi irrota palkista missään kohdassa liikerataa, palkin nivelten kohdista eikä päistä. Palkkiosoiden välisten nivelten tulee olla samalla tasolla 12,7 mm:n enimmäisvälin kanssa.

### 4.0 KÄYTTÖ

- 4.1 ENNEN JOKAISTA KÄYTTÖKERTAA:** Varmista että työskentelyalue ja putoamisenestojärjestelmä täyttävät kaikki osioissa 2 esitetyt vaatimukset, ja että käytössä on pelastussuunnitelma. Tarkasta liukupalkkiankkuri "käyttäjän" tarkastus- ja kunnossapitolokissa (taulukko 2) lueteltujen tarkastuspisteiden mukaisesti. Jos järjestelmän kunto määritetään tarkastuksessa turvallisuudelle vaaralliseksi tai vialliseksi, älä käytä sitä. Poista järjestelmä käytöstä, hävitä se ja ota yhteyttä 3M:ään korvaavan tuotteen tai korjauksen järjestämiseksi.
- 4.2 PUTOAMISENESTOKIINNITYKSET:** Liukupalkkiankkuria käytetään kokovartalovaljaiden ja nykäystä vaimentavan köyden tai itsekelautuvan laitteen kanssa. Kuvassa 9 esitetään turvaköyden (A) tai itsekelautuvan laitteen (B) sekä valjaiden ja liukupalkkiankkurin välinen kiinnitys. Kiinnitä turvaköysi tai itsekelautuva laite liukupalkkiankkurin D-renkaaseen ja valjaiden selkäpuolen D-renkaaseen turvaköyden tai itsekelautuvan laitteen ohjeiden mukaisesti.

### 5.0 TARKASTUS

- 5.1 TARKASTUSTEN TIHEYS:** Liukupalkkiankkuri tulee tarkastaa kohdassa 1 määritettyjen tarkastusvälien mukaisesti. Tarkastustoimet on kuvattu kohdassa "Tarkastus- ja kunnossapitoloki" (taulukko 2). Tarkasta kaikki muut putoamisenestojärjestelmän osat valmistajan ohjeiden mukaisten väliaikojen ja käytäntöjen mukaan.

*Äärimmäiset työolosuhteet (vaativat ympäristöt, pitkäaikainen käyttö jne.) voivat vaatia tarkastusten suorittamista useammin.*

*Liukupalkkiankkureissa on radiotaajuustunnistusmerkintä (RFID). RFID-tarraa voidaan käyttää yhdessä käsikäyttöisen lukulaitteen kanssa yksinkertaistamaan tarkastusta ja varastokirjanpitoa sekä tukemaan putoamisenestolaitteita koskevaa kirjanpitoa.*

- 5.2 VIAT:** Mikäli tarkastuksessa ilmenee vaarallinen tai viallinen kohta, poista liukupalkkiankkuri käytöstä välittömästi ja ota yhteyttä 3M:ään korvaavan osan tai korjauksen järjestämiseksi. Älä yritä korjata putoamisenestojärjestelmää itse.

***Vain valtuutetut huollot:** Vain 3M tai sen kirjallisesti valtuuttamat tahot saavat tehdä korjauksia tähän laitteeseen.*

- 5.3 TUOTTEEN KÄYTTÖIKÄ:** Putoamisenestojärjestelmän toiminnallinen ikä määräytyy käyttöolosuhteiden ja huollon mukaan. Tuotetta voidaan käyttää niin kauan kuin se läpäisee tarkastuskriteerit.

**1 Pätevä henkilö:** Henkilö, joka pystyy tunnistamaan olemassa olevat ja ennustettavat vaaratekijät ympäristössä tai työolosuhteissa, jotka ovat vaarallisia, epähygieenisia tai vaarallisia työntekijöille, ja jolla on valtuudet ryhtyä toimiin niiden poistamiseksi.

**2 Pätevä henkilö:** Henkilö, jolla on tutkinto tai ammatillinen sertifikaatti sekä kattava kokemus putoamissuojauksesta. Henkilön tulee pystyä suunnittelemaan, analysoimaan, arvioimaan ja määrittelemään putoamissuojauksen.

## 6.0 HUOLTO, KUNNOSSAPITO JA SÄILYTYS

**6.1 PUHDISTUS:** Puhdista liukupalkkiankkurin metalliosat säännöllisesti pehmeällä harjalla, lämpimällä vedellä ja miedolla saippualliuoksella. Varmista, että osat huuhdellaan huolellisesti puhtaalla vedellä.

**6.2 KULUVIEN PEHMUSTEIDEN POISTO JA ASENNUS:** Kuluvat pehmusteet ovat liukupalkkiankkurin ainut osa, jonka käyttäjä voi itse huoltaa. Kuvassa 10 esitetään kuluvien pehmusteiden vaihtaminen. Mikäli tarkastuksessa ilmenee, että pehmusteet ovat halkeilleet tai kuluneet, toimi seuraavien vaiheiden mukaan vanhojen pehmusteiden poistamiseksi ja uusien pehmusteiden asentamiseksi.

1. Aseta talttapäinen ruuvimeisseli muovisen pehmusteen yläpään ja päätypidikkeen väliin.
2. Liu'uta ruuvimeisseli pehmusteen ympäri eteen ja kierrä pääty irti. Aseta ruuvimeisseli muovisen pehmusteen alaosaan ja päätypidikkeen väliin. Liu'uta ruuvimeisseli pehmusteen ympäri eteen ja kierrä pääty irti.
3. Kierrä pehmusteen alaosa irti ja irrota se päätypidikkeestä. Hävitä vanha pehmuste.
4. Liu'uta uusi pehmuste päätypidikkeeseen. Käytä voimaa napsauttaaksesi uuden pehmusteen paikalleen.

**6.3 HUOLTO:** Vain 3M tai sen kirjallisesti valtuuttamat tahot saavat tehdä korjauksia tähän laitteeseen. Mikäli liukupalkkiankkuriin kohdistuu putoamisen estämisen aiheutunut voima, se tulee poistaa käytöstä välittömästi, merkitä selkeästi "ÄLÄ KÄYTÄ" ja sitten hävittää. Mikäli tarkastuksessa ilmenee vaarallisia tai viallisia kohtia, poista järjestelmä käytöstä ja ota yhteyttä 3M:ään korvaavan osan tai korjauksen järjestämiseksi.

**6.4 SÄILYTYS JA KULJETUS:** Kun liukupalkkiankkuri ei ole käytössä, säilytä sitä ja siihen liittyviä laitteita viileässä, kuivassa ja puhtaassa ympäristössä poissa suorasta auringonvalosta. Vältä alueita, joilla saattaa esiintyä kemiallisia höyryjä. Tarkasta osat huolellisesti pitkän säilytysajan jälkeen.

## 7.0 MERKINNÄT

Kuva 11 esittää liukupalkkiankkurin merkinnät. Merkinnät tulee uusaa, jos ne eivät ole täysin luettavissa. Kaikissa merkinnöissä on seuraavat tiedot:

Ⓐ	RFID-merkintä
Ⓑ	Varoitusetiketti: 1) Tarkasta liukupalkkiankkuri. 2) Älä korjaa. Vain valtuutettu huolto saa huoltaa tätä tuotetta. 3) Käyttölämpötila -40 °C - +60 °C. 4) Hyväksytyt asennuspaikat ja työskentelyalueet. Asenna vain pystysuuntaisiin ja vaakasuuntaisiin palkkeihin, joissa on päätyypysäyttimet. 5) Säilytä liukupalkkiankkureita viileässä, kuivassa ja puhtaassa ympäristössä poissa suorasta auringonvalosta. 6) Älä irrota liukupalkkiankkurin merkintöjä. 7a) Älä käytä palkeissa, joissa ei ole päätyypysäyttimiä. 7b) Hyväksytyt asennus vain palkkeihin, joissa on päätyypysäyttimet. 8a) Asenna rakenteisiin, jotka on luokiteltu vähintään 12 kN. 8b) Ei saa asentaa rakenteisiin, joiden luokitus on alle 12 kN. 9) Älä käytä vinoissa palkeissa.
Ⓒ	10) Lue tuotteen ohjeet. 11) Enimmäiskapasiteetti 140 kg. 12) Ilmoitetun tarkastuslaitoksen tunnus 13) Valmistusvuosi ja -kuukausi 14) Eränumero 15) Malli nro 16) Hyväksytyt asennuspaikat ja työskentelyalueet. Asenna rakenteisiin, jotka on luokiteltu vähintään 12 kN. 17) Tarkastusloki 18) Tarkastuspäivä 19) Tarkastajan nimikirjaimet 20) Liukupalkkiankkurin mallinumero, sallitut palkin laipan leveydet ja sallitut palkin laipan paksuudet.

## Taulukko 2 – Tarkastus- ja kunnossapitoloki

Tarkastuspäivä:		Tarkastanut:	
Komponentit:	Tarkastus: <i>(Katso tarkastusten tiheys osiosta 1)</i>	Käyttäjä	Pätevä henkilö <sup>1</sup>
Liukupalkkiankkuri (kuva 2)	Tarkasta liukupalkkiankkuri vikojen varalta: Katso, onko siinä murtumia, koloja tai vääristymiä.	<input type="checkbox"/>	<input type="checkbox"/>
	Tarkasta ovatko tukiputki (A), liitinrenas (B), liitinrenkaan kannatin, koukun päät (C) ja salpalukot (D) vääntyneet tai kuluneet.	<input type="checkbox"/>	<input type="checkbox"/>
	Tarkasta puuttuuko osia (päätyniitit, keskiruuvit jne.)	<input type="checkbox"/>	<input type="checkbox"/>
	Tarkasta koko laite syöpymisen varalta.	<input type="checkbox"/>	<input type="checkbox"/>
	Tarkasta kuluvat pehmusteet ja varmista, etteivät ne ole kuluneet siten, että koukulliset päät koskettavat suoraan palkin laippaan. Vaihda kuluneet tai halkeilleet pehmusteet. (katso Kuluvien pehmusteiden poisto ja asennus)	<input type="checkbox"/>	<input type="checkbox"/>
	Tarkasta tukitangon (A) hampaat kulumien ja vaurioiden varalta. Varmista, että lukitussalvat kiinnittyvät kunnolla ja automaattisesti kuhunkin hampaaseen salpalukkojen (D) vapautuksen yhteydessä.	<input type="checkbox"/>	<input type="checkbox"/>
	Varmista, että salpalukot (D) toimivat vapaasti, vetäytyvät kokonaan takaisin ja kiinnittyvät automaattisesti tukitangon (A) hampaisiin.	<input type="checkbox"/>	<input type="checkbox"/>
Merkinnät (kuva 11)	Varmista että kaikki merkintätarrat ovat näkyvillä, hyvin kiinni ja luettavissa (katso "Merkinnät").	<input type="checkbox"/>	<input type="checkbox"/>
Putoamisenestojärjestelmät ja muut laitteet	Kiinnitysjärjestelmän kanssa käytettävät ylimääräiset putoamisenestojärjestelmien laitteet (valjaat, itsekelautuvat laitteet jne.) tulee asentaa ja tarkastaa valmistajan ohjeiden mukaan.	<input type="checkbox"/>	<input type="checkbox"/>
<b>Sarjanumero(t):</b>		<b>Ostopäivämäärä:</b>	
<b>Mallinumero:</b>		<b>Ensimmäisen käyttökerran päivämäärä:</b>	
<b>Korjaava toimi/kunnossapito:</b>		Hyväksyjä:	
		Päivämäärä:	
<b>Korjaava toimi/kunnossapito:</b>		Hyväksyjä:	
		Päivämäärä:	
<b>Korjaava toimi/kunnossapito:</b>		Hyväksyjä:	
		Päivämäärä:	
<b>Korjaava toimi/kunnossapito:</b>		Hyväksyjä:	
		Päivämäärä:	
<b>Korjaava toimi/kunnossapito:</b>		Hyväksyjä:	
		Päivämäärä:	
<b>Korjaava toimi/kunnossapito:</b>		Hyväksyjä:	
		Päivämäärä:	
<b>Korjaava toimi/kunnossapito:</b>		Hyväksyjä:	
		Päivämäärä:	
<b>Korjaava toimi/kunnossapito:</b>		Hyväksyjä:	
		Päivämäärä:	
<b>Korjaava toimi/kunnossapito:</b>		Hyväksyjä:	
		Päivämäärä:	
<b>Korjaava toimi/kunnossapito:</b>		Hyväksyjä:	
		Päivämäärä:	

<sup>1</sup> **Pätevä henkilö:** Henkilö, joka pystyy tunnistamaan olemassa olevat ja ennustettavat vaaratekijät ympäristössä tai työolosuhteissa, jotka ovat vaarallisia, epähygieenisiä tai vaarallisia työntekijöille, ja jolla on valtuudet ryhtyä toimiin niiden poistamiseksi.







Avant d'installer et d'utiliser cet équipement, enregistrer les informations d'identification produit indiquées sur l'étiquette d'identification dans le Journal d'inspection et d'entretien (Tableau 2) figurant au dos du présent manuel.

## DESCRIPTION DU PRODUIT :

La Figure 1 illustre l'ancrage de poutre coulissante 3M™ DBI-SALA™. L'ancrage de poutre coulissante est un connecteur d'ancrage à un seul point pour un dispositif antichute personnel ou un dispositif personnel de retenue conçu pour être fixé à une poutre.

La Figure 2 illustre les composants de l'ancrage de poutre coulissante. Les spécifications des composants figurent dans le Tableau 1. L'ancrage de poutre coulissante comprend un tube de support à encoche (A) avec un anneau de connecteur pivotant (B) et des extrémités de connecteur ajustables (C) qui se fixent à chaque bord de l'aile de la poutre à l'aide des dispositifs de blocage de la languette (D) qui s'engagent dans les encoches situées sur le tube de support. L'ancrage de poutre coulissante glisse en douceur le long de la poutre sur les gaines d'usure (E). Une longe ou un dispositif de sécurité autorétractable (Self-Retracting Device, SRD) est connecté entre l'anneau de connecteur pivotant situé sur l'ancrage de poutre coulissante et l'élément de fixation approprié situé sur le harnais intégral de l'utilisateur.

**Tableau 1 – Spécifications**

Spécifications du système :		
<b>Capacité :</b>	1 personne au poids combiné (vêtements, outils, etc.) de : 140 kg (310 lb) maximum conformément à la norme EN 795.	
<b>Force d'ancrage :</b>	La force d'ancrage requise dépend de l'application :  <b>Structure d'ancrage :</b> la structure à laquelle le connecteur d'ancrage est fixé doit pouvoir supporter une force dans la/les direction(s) de chargement prévue(s). Chaque emplacement de point d'ancrage doit pouvoir supporter les valeurs suivantes :	
	<b>EN 795</b>	12 kN (2 698 lb)
<b>Température de service</b>	-40 °C (-40 °F) Température de service minimale	
<b>Résistance à la rupture du connecteur d'ancrage :</b>	22 kN (5 000 lb) Résistance à la rupture minimale	
<b>Dimensions :</b>	Consultez la Figure 1 pour connaître les dimensions de chaque modèle d'ancrage de poutre coulissante.	
<b>Poids :</b>	Consultez la Figure 1 pour connaître le poids de chaque modèle d'ancrage de poutre coulissante.	
Spécifications des composants :		
Figure 2 Référence	Composant	Matériaux
(A)	Barre de soutien	Alliage d'aluminium
(B)	Anneau de connecteur	Alliage d'acier
(C)	Extrémités de connecteur	Alliage d'aluminium
(D)	Dispositifs de blocage de la languette	Alliage d'acier
(E)	Plaques d'usure	Nylon

**1 Personne qualifiée :** Un individu qui possède un diplôme reconnu ou un certificat professionnel et qui bénéficie d'une vaste expérience dans la protection contre les chutes. Cet individu doit être capable de maîtriser la conception, l'analyse, l'évaluation et les spécifications en matière de protection contre les chutes.

## 1.0 APPLICATION PRODUIT

- 1.1 OBJECTIF :** les connecteurs d'ancrage sont conçus pour fournir des points de connexion d'ancrage pour les systèmes antichute<sup>1</sup> ou les dispositifs de retenue<sup>2</sup> : dispositif de retenue, maintien en position de travail, harnais personnel, sauvetage, etc.

**Protection contre les chutes uniquement :** ce connecteur d'ancrage sert à la connexion des équipements antichute. Ne connectez pas des équipements de levage à ce connecteur d'ancrage.

- 1.2 NORMES :** votre connecteur d'ancrage est conforme aux normes nationales ou régionales présentées sur la page de couverture de ces instructions. Si ce produit est revendu en dehors du pays de destination d'origine, le revendeur doit fournir ces instructions dans la langue du pays où il sera utilisé.
- 1.3 SUPERVISION :** l'utilisation de cet équipement doit être supervisée par une personne compétente<sup>3</sup>.
- 1.4 FORMATION :** cet équipement doit être installé et utilisé par des personnes formées à cet effet. Ce manuel doit être utilisé dans le cadre du programme de formation des employés, tel que requis par les normes CE. Il relève de la responsabilité des utilisateurs et des installateurs de cet équipement de s'assurer qu'ils se sont familiarisés avec ces instructions, qu'ils ont été formés à l'entretien et à l'utilisation corrects du matériel et qu'ils ont connaissance des caractéristiques de fonctionnement, des limites d'application et des conséquences d'une mauvaise utilisation.
- 1.5 PLAN DE SAUVETAGE :** avant d'utiliser cet équipement et de connecter le(s) sous-système(s), l'employeur devra disposer d'un plan de sauvetage et de moyens disponibles permettant sa mise en œuvre et le communiquer aux utilisateurs, aux personnes agréées<sup>4</sup> et aux sauveteurs<sup>5</sup>. Il est recommandé de mettre en place une équipe, adéquatement formée, de sauvetage sur site. Il conviendra de mettre à la disposition des membres de l'équipe l'équipement et les moyens techniques nécessaires à la bonne exécution d'une opération de sauvetage. La formation devra être dispensée sur une base régulière afin de garantir le niveau de compétence des sauveteurs.
- 1.6 FRÉQUENCE D'INSPECTION :** le connecteur d'ancrage doit être inspecté par l'utilisateur avant chaque utilisation et, par ailleurs, par une personne compétente autre que l'utilisateur à des intervalles inférieurs à un an.<sup>6</sup> Les procédures d'inspection sont décrites dans le « *Journal d'inspection et d'entretien* ». Les résultats de chaque inspection effectuée par une personne compétente doivent être enregistrés dans des exemplaires du « *Journal d'inspection et d'entretien* ».
- 1.7 APRÈS UNE CHUTE :** si le connecteur d'ancrage est soumis aux forces d'un arrêt de chute, il devra immédiatement être mis hors service, être clairement libellé « NE PAS UTILISER » et être détruit.

## 2.0 CARACTÉRISTIQUES DU SYSTÈME

- 2.1 ANCRAGE :** les exigences en matière d'ancrage varient en fonction de l'utilisation du dispositif antichute. La structure sur laquelle le connecteur d'ancrage est posé ou installé doit satisfaire aux spécifications d'ancrage reprises dans le Tableau 1.
- 2.1 ÉQUIPEMENT DE PROTECTION INDIVIDUELLE (EPI) ANTICHUTE :** la Figure 1 illustre l'application de ce connecteur d'ancrage. Les équipements de protection individuelle (EPI) antichute utilisés avec le système doivent être conformes aux normes, codes et réglementations applicables en matière de protection contre les chutes. L'équipement de protection individuelle (EPI) antichute doit intégrer un harnais intégral et limiter la force d'arrêt aux valeurs suivantes :

	Force d'arrêt maximale	Chute libre
Équipement de protection individuelle (EPI) antichute avec longe antichute	6 kN (1350 lb)	Vous trouverez les limites de chute libre dans les instructions fournies avec votre longe ou votre dispositif antichute à rappel automatique.
Équipement de protection individuelle (EPI) antichute avec dispositif antichute à rappel automatique (Self Retracting Device, SRD)	6 kN (1350 lb)	

- 2.3 CHEMIN DE CHUTE ET VITESSE DE BLOCAGE DU DISPOSITIF DE SÉCURITÉ AUTORÉTRACTABLE :** un environnement dégagé est indispensable pour assurer un verrouillage correct du dispositif de sécurité autorétractable. Les situations qui ne permettent pas un chemin de chute dégagé doivent être évitées. Travailler dans des espaces confinés ou restreints ne permet pas toujours au corps d'atteindre une vitesse suffisante pour que le SRD se verrouille en cas de chute. Travailler sur des matériaux légèrement instables, comme le sable ou le gravier, risque également de ne pas permettre une vitesse suffisante pour occasionner le verrouillage du dispositif de sécurité autorétractable.
- 2.4 RISQUES :** l'utilisation de cet équipement dans des zones à risque environnemental peut nécessiter des précautions supplémentaires pour éviter tout risque de blessures corporelles de l'utilisateur ou de dommages matériels. Ces risques comprennent, sans s'y limiter : chaleur, produits chimiques, environnements corrosifs, lignes à haute tension, gaz explosifs ou toxiques, engins en mouvement, arêtes vives ou matériaux situés plus haut pouvant tomber et toucher l'utilisateur ou le dispositif antichute individuel.

**1 Dispositif antichute :** un ensemble de dispositifs antichute configurés pour retenir une chute libre.

**2 Dispositif de retenue :** un ensemble de dispositifs antichute configurés pour empêcher le centre de gravité d'une personne d'atteindre le point de risque de chute.

**3 Personne compétente :** personne capable d'identifier des dangers existants et prévisibles dans les milieux de travail, ou des conditions de travail non hygiéniques ou dangereuses pour les ouvriers, et ayant l'autorisation de prendre des mesures correctives rapides pour les éliminer.

**4 Personne agréée :** aux fins des normes Z359, une personne désignée par un employeur afin d'exécuter des missions sur un site où une personne sera exposée à un risque de chute.

**5 Sauveteur :** personne(s) autre(s) que la personne secourue, chargée(s) d'effectuer un sauvetage au moyen d'un équipement de sauvetage.

**6 Fréquence d'inspection :** des conditions de travail extrêmes (environnement hostile, utilisation prolongée, etc.) peuvent nécessiter des inspections plus fréquentes par une personne compétente.

- 2.5 DISTANCE D'ARRÊT :** la figure 3 illustre les principaux composants d'un dispositif antichute. Prévoir une distance d'arrêt suffisante pour arrêter une chute avant que l'utilisateur ne touche le sol ou un autre obstacle. La distance d'arrêt est affectée par plusieurs facteurs, dont : emplacement de l'ancrage, (A) longueur de la longe, (B) distance de décélération de la longe ou distance d'arrêt maximum du SRD, (C) capacité d'étirement du harnais et longueur et emplacement du D d'accrochage/du connecteur. Consultez les instructions fournies avec votre sous-dispositif antichute pour plus de détails concernant le calcul de la distance d'arrêt en cas de chute.
- 2.6 CHUTES AVEC EFFET PENDULAIRE :** les chutes avec effet pendulaire se produisent lorsque le point d'ancrage ne se trouve pas directement au-dessus du point de chute (voir la Figure 4). La force de la collision avec un objet lors d'une chute avec effet pendulaire peut occasionner des blessures graves voire la mort. Réduisez le risque d'effets pendulaires en travaillant autant que possible directement sous le point d'ancrage. Évitez les chutes avec effet pendulaire si des risques de blessure existent. Les chutes avec effet pendulaire augmentent fortement les distances d'arrêt nécessaires lorsqu'un dispositif de rappel automatique ou un autre sous-système de raccordement de longueur variable est utilisé.
- 2.7 COMPATIBILITÉ DES COMPOSANTS :** l'équipement 3M est destiné à être utilisé uniquement avec des composants et des sous-systèmes agréés 3M. La substitution ou le remplacement de pièces par des composants ou des sous-composants non approuvés peut compromettre la compatibilité de l'équipement et affecter la sécurité et la fiabilité de l'ensemble du système.
- 2.8 COMPATIBILITÉ DU CONNECTEUR :** les connecteurs sont considérés comme compatibles avec les éléments de raccordement lorsqu'ils ont été conçus de sorte que ni leur taille ni leur forme ne provoquent l'ouverture spontanée de leur mécanisme d'ouverture, quelle que soit leur orientation. Pour toute question concernant la compatibilité, veuillez contacter 3M.

Les connecteurs doivent être conformes à la norme EN 362. Les connecteurs doivent être compatibles avec l'ancrage ou tout autre composant du dispositif. Ne pas utiliser un équipement non compatible. Les connecteurs non compatibles peuvent se désengager accidentellement (voir figure 5). Les connecteurs doivent être compatibles par leur taille, leur forme et leur résistance. Si l'élément de raccordement est doté d'un mousqueton trop petit ou de forme irrégulière, il se peut que l'élément de raccordement applique une force sur le mécanisme d'ouverture du mousqueton (A). Cette force pourrait entraîner l'ouverture du mécanisme (B) et provoquer le détachement du mousqueton de son point de raccordement (C).

- 2.9 RACCORDEMENT :** les mousquetons utilisés avec cet équipement doivent être autobloquants. Vérifier que toutes les connexions sont compatibles en taille, en forme et en résistance. Ne pas utiliser un équipement non compatible. Vérifier que tous les connecteurs sont bien fermés et verrouillés.

Les connecteurs 3M (mousquetons) sont destinés à être utilisés uniquement selon les instructions de chacun des produits. La figure 6 montre quelques exemples de raccords inappropriés. Ne pas raccorder les mousquetons :

- A. à un D d'accrochage auquel un autre connecteur est attaché ;
- B. d'une manière qui provoquerait une charge sur l'ouverture. Les crochets à ressort à grande ouverture ne doivent pas être raccordés à des D d'accrochage de taille standard ou à des objets similaires qui provoqueraient une charge sur l'ouverture si le connecteur ou le D d'accrochage venait à tourner, sauf si le mousqueton est équipé d'une ouverture de 16 kN (3 600 lb). Vérifiez le marquage sur votre mousqueton afin de vous assurer qu'il convient à votre application ;
- C. Dans une configuration défectueuse où des éléments dépassant du mousqueton s'accrochent à l'ancrage et où on pourrait penser, sans confirmation visuelle, que la fixation au point d'ancrage est correcte ;
- D. l'un à l'autre ;
- E. directement à des sangles, à une longe ou à un point d'ancrage (à moins que les instructions du fabricant pour la longe et le connecteur n'autorisent spécifiquement ce type de raccordement) ;
- F. à un objet ayant une forme ou une dimension empêchant la fermeture et le verrouillage du mousqueton, ou risquant de provoquer un désengagement ;
- G. d'une manière qui ne permet pas le bon alignement du connecteur lorsqu'il est sous charge.

### 3.0 INSTALLATION

L'installation de l'ancrage de poutre coulissante DBI-SALA doit être supervisée par une personne compétente<sup>1</sup>. L'installation doit être approuvée par une personne qualifiée<sup>2</sup> comme étant conforme aux critères correspondant à un ancrage certifié ou capable de supporter les forces potentielles qui pourraient survenir durant une chute.

**3.1 PRÉPARATION :** préparez votre système de protection contre les chutes avant d'installer l'ancrage de poutre coulissante. Prenez en compte tous les facteurs qui pourraient affecter la sécurité avant, pendant et après une chute. Prenez en considération toutes les exigences, spécifications et limites définies dans la Section 2 et le Tableau 1.

**Butées :** les butées, qui répondent aux exigences de résistance de l'ancrage du Tableau 1, doivent être présentes aux deux extrémités de la poutre. Si la poutre est inclinée ou verticale, l'ancrage de poutre coulissante doit être à côté de la butée inférieure pour éviter le déplacement de l'ancrage de poutre coulissante lors d'une chute.

**3.2 INSTALLATION DE L'ANCRAGE DE POUTRE COULISSANTE :** l'ancrage de poutre coulissante peut être installée sur des poutres conformes aux exigences en matière d'ancrage spécifiées dans le Tableau 1. Consultez la Figure 1 pour connaître la largeur (A) et l'épaisseur (B) de l'aile de poutre pour chaque modèle d'ancrage de poutre coulissante. L'ancrage de poutre coulissante peut être monté sur le haut (A), sur le bas (B) ou sur le côté (C ou D) de la poutre (voir la Figure 7). La Figure 8 illustre l'installation de l'ancrage de poutre coulissante. Installation de l'ancrage de poutre coulissante :

1. Appuyez sur le dispositif de déverrouillage de la languette situé sur chaque connecteur d'extrémité, ajustez les connecteurs d'extrémité afin qu'ils s'adaptent sur l'aile de la poutre avec l'anneau du connecteur centré entre les connecteurs d'extrémité, puis relâchez le dispositif de déverrouillage de la languette.
2. Positionnez l'ancrage de poutre coulissante sur l'aile de la poutre avec l'anneau de connecteur centré sur la poutre. Faites glisser les connecteurs d'extrémité vers l'intérieur jusqu'à ce qu'ils soient serrés sur l'aile de la poutre.
3. Lorsque les dispositifs de blocage de la languette sont en position verrouillée, déplacez légèrement les connecteurs d'extrémité vers l'intérieur ou vers l'extérieur pour vous assurer que les cliquets de verrouillage sont complètement engagés dans les dents de la barre.

**Espace entre les connecteurs d'extrémité :** l'espace total entre les connecteurs d'extrémité et l'aile de la poutre ne doit pas être supérieur à 14,3 mm (9/16 po). Se reporter à la figure 1.

4. Inspectez l'installation pour confirmer que l'ancrage de poutre coulissante ne peut se dégager de la poutre en aucun point de la course prévue ni aux joints et aux extrémités de la poutre. Les joints entre les sections de poutre doivent être de niveau avec un espace maximum de 12,7 mm (1/2 po).

### 4.0 UTILISATION

**4.1 AVANT CHAQUE UTILISATION :** vérifier que la zone de travail et l'équipement de protection individuelle (EPI) antichute répondent à tous les critères définis dans la Section 2 et qu'un plan de sauvetage officiel est en place. Inspectez l'ancrage de poutre coulissante conformément aux consignes d'inspection « Utilisateur » figurant dans le « Journal d'inspection et d'entretien » (Tableau 2). Ne pas utiliser le système si l'inspection révèle une condition dangereuse ou défectueuse. Retirer le système du service et le détruire, ou contacter 3M pour effectuer une réparation ou un remplacement.

**4.2 CONNEXIONS ANTICHUTE :** l'ancrage de poutre coulissante est utilisé avec un harnais intégral et une longe amortissante ou un antichute à rappel automatique (Self-Retracting Device, SRD). La Figure 9 illustre la connexion de la longe (A) ou du SRD (B) entre le harnais et l'ancrage de poutre coulissante. Connectez la longe ou le SRD entre le D d'accrochage sur l'ancrage de poutre coulissante et le D d'accrochage dorsal à l'arrière sur le harnais, comme indiqué sur les instructions incluses avec la longe ou le SRD.

### 5.0 INSPECTION

**5.1 FRÉQUENCE D'INSPECTION :** l'ancrage de poutre coulissante doit être inspecté aux intervalles définis à la Section 1. Les procédures d'inspection sont décrites dans le « Journal d'inspection et d'entretien » (Tableau 2). Inspecter tous les autres composants du Système de protection antichute conformément aux fréquences et procédures figurant dans les instructions du fabricant.

des conditions de travail extrêmes (environnement hostile, utilisation prolongée, etc.) peuvent nécessiter des inspections plus fréquentes.

Les ancrages de poutre coulissante sont équipés d'une plaque d'identification par radiofréquence (RFID). Utilisée avec un lecteur portable, la plaque d'identification RFID permet de simplifier l'inspection et le contrôle des stocks et de conserver les informations concernant votre équipement de protection antichute.

**5.2 DÉFECTUOSITÉS :** si l'inspection révèle un état dangereux ou défectueux, retirez immédiatement du service l'ancrage de poutre coulissante et contactez 3M pour effectuer un remplacement ou une réparation. Ne pas essayer de réparer le dispositif antichute.

**Les réparations sont effectuées par les réparateurs agréés uniquement :** seul 3M ou les parties agréées par écrit peuvent réparer cet équipement.

**1 Personne compétente :** personne capable d'identifier des dangers existants et prévisibles dans les milieux de travail, ou des conditions de travail non hygiéniques ou dangereuses pour les ouvriers, et ayant l'autorisation de prendre des mesures correctives rapides pour les éliminer.

**2 Personne qualifiée :** un individu qui possède un diplôme reconnu ou un certificat professionnel et qui bénéficie d'une vaste expérience dans la protection contre les chutes. Cet individu doit être capable de maîtriser la conception, l'analyse, l'évaluation et les spécifications en matière de protection contre les chutes.

**5.3 DURÉE DE VIE DU PRODUIT :** la durée de vie fonctionnelle du dispositif antichute est déterminée par les conditions de travail et l'entretien. Le produit peut rester en service tant qu'il répond aux critères d'inspection.

## 6.0 ENTRETIEN, RÉVISION, STOCKAGE

**6.1 NETTOYAGE :** nettoyez régulièrement les composants métalliques de l'ancrage de poutre coulissante avec une brosse douce, de l'eau tiède et une solution légèrement savonneuse. Veillez à rincer les pièces abondamment avec de l'eau propre.

**6.2 RETRAIT ET INSTALLATION DES GAINES D'USURE :** les gaines d'usure sont les seuls composants de l'ancrage de poutre coulissante pouvant être réparés par l'utilisateur. La Figure 10 illustre le remplacement des gaines d'usure. Si l'inspection révèle l'existence de gaines fissurées ou usées, suivez les étapes suivantes pour retirer les anciennes gaines et les gaines de rechange.

1. Insérez un tournevis à tête plate entre la partie supérieure de la gaine d'usure en plastique et la pince d'extrémité.
2. Faites glisser le tournevis autour de la partie avant de la gaine d'usure et enlevez l'extrémité. Insérez le tournevis entre la partie inférieure de la gaine d'usure en plastique et la pince d'extrémité. Faites glisser le tournevis autour de la partie avant de la gaine d'usure et enlevez l'extrémité.
3. Enlevez la partie inférieure de la gaine d'usure et retirez-la de la pince d'extrémité. Mettez l'ancienne gaine d'usure au rebut.
4. Faites glisser la nouvelle gaine d'usure dans la pince d'extrémité. Appliquez de la pression pour enclencher la nouvelle gaine d'usure.

**6.3 ENTRETIEN :** seul 3M ou les parties agréées par écrit par 3M peuvent réparer cet équipement. Si l'ancrage de poutre coulissante est soumis aux forces d'un arrêt de chute, il devra immédiatement être mis hors service, être clairement libellé « NE PAS UTILISER » et être détruit. Si l'inspection révèle un état dangereux ou défectueux, retirez immédiatement du service le système et contactez 3M pour effectuer un remplacement ou une réparation.

**6.4 STOCKAGE ET TRANSPORT :** lorsque l'ancrage de poutre coulissante n'est pas utilisé, rangez-le et transportez-le avec ses accessoires de protection antichute dans un endroit frais, sec et propre, à l'abri des rayons du soleil. Évitez les endroits pouvant contenir des vapeurs chimiques. Inspectez soigneusement les pièces après une période de stockage prolongée.

## 7.0 ÉTIQUETTES

La Figure 11 illustre les étiquettes situées sur l'ancrage de poutre coulissante. Les étiquettes doivent être remplacées si elles ne sont pas parfaitement lisibles. Les informations présentes sur chaque étiquette sont les suivantes :

(A)	Plaque d'identification RFID
(B)	Étiquette d'avertissement : 1) Inspectez l'ancrage de poutre coulissante. 2) N'effectuez pas de réparation. Ce produit doit être entretenu par un centre de réparation agréé. 3) Plage de températures -40 °C à +60 °C. 4) Emplacements d'installation et plages de fonctionnement acceptables. Installez le dispositif uniquement sur des poutres horizontales et verticales munies de butées. 5) Entrez les ancrages de poutre coulissantes dans un endroit frais, sec et propre, à l'abri de la lumière directe du soleil. 6) Ne retirez pas les étiquettes de l'ancrage de poutre coulissante. 7a) Ne les utilisez pas sur les poutres sans butée. 7b) Corrigez l'installation sur les poutres munies de butées. 8a) Installez le dispositif sur des structures conçues pour une charge de 12 kN ou plus. 8b) Ne l'utilisez pas sur des structures qui sont conçues pour des charges inférieures à 12 kN. 9) Ne l'utilisez pas sur des poutres inclinées.
(C)	10) Lisez les instructions d'utilisation du produit. 11) Capacité maximale 140 kg (310 lb). 12) ID de l'organisme notifié. 13) Année et mois de fabrication. 14) Numéro de lot. 15) Numéro de modèle. 16) Emplacements d'installation et plages de fonctionnement acceptables. Installez le dispositif sur des structures conçues pour une charge de 12 kN ou plus. 17) Relevé d'inspection. 18) Date d'inspection. 19) Initiales de l'inspecteur. 20) Numéro de modèle de l'ancrage de poutre coulissante, largeurs et épaisseurs autorisées de l'aile de la poutre.

**Tableau 2 – Journal d'inspection et d'entretien**

<b>Date d'inspection :</b>		<b>Inspection par :</b>	
<b>Composants :</b>	<b>Inspection :</b> (voir la Section 1 pour la <i>Fréquence des inspections</i> )	<b>Utilisateur</b>	<b>Personne compétente<sup>1</sup></b>
Ancrage de poutre coulissante (Figure 2)	Inspectez l'ancrage de poutre coulissante pour détecter des dommages : vérifier s'il présente des craquelures, des traces de choc ou d'autres déformations.	<input type="checkbox"/>	<input type="checkbox"/>
	Recherchez les endroits tordus ou usés sur le tube de support (A), l'anneau de connecteur (B), le support de l'anneau de connecteur, les extrémités de connecteur (C) et les dispositifs de blocage de la languette (D).	<input type="checkbox"/>	<input type="checkbox"/>
	Recherchez les pièces manquantes (rivets d'extrémité, vis centrale, etc.).	<input type="checkbox"/>	<input type="checkbox"/>
	Inspectez toute l'unité pour détecter des traces de corrosion.	<input type="checkbox"/>	<input type="checkbox"/>
	Inspectez les gaines d'usure pour vous assurer que celles-ci ne sont pas usées au point que les extrémités des crochets entrent en contact direct avec l'aile de la poutre. Remplacez les gaines d'usure usées ou fissurées. (Consultez Retrait et installation des gaines d'usure)	<input type="checkbox"/>	<input type="checkbox"/>
	Vérifiez l'intégrité et l'état d'usure des dents du tube de support (A). Vérifiez que le cliquet de verrouillage s'insère automatiquement et complètement au déverrouillage des dispositifs de blocage de la languette (D).	<input type="checkbox"/>	<input type="checkbox"/>
	Assurez-vous que les dispositifs de blocage de la languette (D) fonctionnent librement, reviennent en position entièrement et s'engagent automatiquement dans les dents du tube de support (A).	<input type="checkbox"/>	<input type="checkbox"/>
Étiquettes (Figure 11)	Vérifiez que toutes les étiquettes sont présentes, correctement fixées et lisibles (voir « <i>Étiquettes</i> »)	<input type="checkbox"/>	<input type="checkbox"/>
PFAS et autre matériel	Tout équipement de protection individuelle (EPI) antichute supplémentaire (Personal Fall Arrest System, PFAS) (harnais, antichute à rappel automatique, etc.) utilisé avec le système d'ancrage doit être installé et inspecté conformément aux instructions du fabricant.	<input type="checkbox"/>	<input type="checkbox"/>

<b>Numéro(s) de série :</b>	<b>Date d'achat :</b>
<b>Numéro de modèle :</b>	<b>Date de la première utilisation :</b>
<b>Mesures correctives/entretien :</b>	Approuvé par :
	Date :
<b>Mesures correctives/entretien :</b>	Approuvé par :
	Date :
<b>Mesures correctives/entretien :</b>	Approuvé par :
	Date :
<b>Mesures correctives/entretien :</b>	Approuvé par :
	Date :
<b>Mesures correctives/entretien :</b>	Approuvé par :
	Date :
<b>Mesures correctives/entretien :</b>	Approuvé par :
	Date :
<b>Mesures correctives/entretien :</b>	Approuvé par :
	Date :
<b>Mesures correctives/entretien :</b>	Approuvé par :
	Date :
<b>Mesures correctives/entretien :</b>	Approuvé par :
	Date :
<b>Mesures correctives/entretien :</b>	Approuvé par :
	Date :
<b>Mesures correctives/entretien :</b>	Approuvé par :
	Date :

**1** *Personne compétente* : personne capable d'identifier des dangers existants et prévisibles dans les milieux de travail, ou des conditions de travail non hygiéniques ou dangereuses pour les ouvriers, et ayant l'autorisation de prendre des mesures correctives rapides pour les éliminer.



## INFORMAZIONI SULLA SICUREZZA

**Leggere, comprendere e seguire tutte le informazioni sulla sicurezza contenute nelle presenti istruzioni prima di utilizzare questo connettore d'ancoraggio. IL MANCATO RISPETTO DELLE ISTRUZIONI PUÒ CAUSARE GRAVI LESIONI PERSONALI O MORTE.**

**Fornire le presenti istruzioni all'utente dell'attrezzatura. Conservare queste istruzioni come riferimento in futuro.**

### Uso previsto:

Questo connettore d'ancoraggio deve essere utilizzato come parte di un sistema di protezione anticaduta personale completo.

L'utilizzo per qualsiasi altra applicazione incluse, ma non solo, manipolazione di materiale, attività correlate ricreative o sportive oppure altre attività non descritte nelle istruzioni per l'utente, non è approvato da 3M e può causare gravi lesioni personali o morte.

Il presente dispositivo deve essere utilizzato esclusivamente da utenti addestrati nelle applicazioni relative all'ambito di lavoro.



## AVVERTENZA

Questo connettore d'ancoraggio fa parte di un sistema di protezione anticaduta personale. Si prevede, pertanto, che tutti gli utenti siano completamente addestrati all'installazione e al funzionamento sicuri del loro sistema di protezione anticaduta personale. **L'uso improprio del presente dispositivo può comportare gravi lesioni personali o morte.** Per le modalità corrette di selezione, funzionamento, installazione, manutenzione e assistenza, consultare le presenti istruzioni per l'utente e tutte le raccomandazioni fornite dal produttore; altrimenti rivolgersi al proprio supervisore o contattare l'assistenza tecnica di 3M.

- **Per ridurre i rischi associati all'utilizzo di un connettore d'ancoraggio che, se non evitati, potrebbero causare gravi lesioni o morte:**
  - Ispezionare il dispositivo prima di ogni uso, almeno una volta all'anno, e dopo qualsiasi evento di caduta. Le ispezioni devono essere eseguite conformemente a quanto indicato nelle istruzioni per l'utente.
  - Se, a seguito dell'ispezione, viene individuata una condizione di non sicurezza o difetto, dismettere il dispositivo e ripararlo o sostituirlo secondo le istruzioni per l'utente.
  - Ogni dispositivo che è stato sottoposto all'arresto caduta o a una forza d'impatto deve essere immediatamente messo fuori servizio e distrutto.
  - Il dispositivo deve essere installato esclusivamente nei substrati specificati o sulle strutture indicate nelle Istruzioni per l'utente. Installazioni e usi che fuoriescono dall'ambito di queste istruzioni devono essere approvati da 3M Fall Protection.
  - Il substrato o la struttura a cui è attaccato il connettore d'ancoraggio deve essere in grado di sostenere i carichi statici specificati per l'ancoraggio con gli orientamenti consentiti nelle istruzioni per l'utente.
  - Collegare altri sottosistemi di protezione anticaduta solo al punto di collegamento dell'ancoraggio designato sul dispositivo.
  - Prima di eseguire una perforazione o un fissaggio, assicurarsi che non ci siano linee elettriche, del gas o altri sistemi incorporati critici con cui il trapano o il dispositivo possa venire in contatto.
  - Assicurarsi che i sistemi/sottosistemi di protezione anticaduta assemblati con componenti realizzati da produttori diversi siano compatibili e soddisfino i requisiti degli standard applicabili, inclusi ANSI Z359 o altri codici, standard o requisiti relativi alla protezione anticaduta pertinenti. Consultare sempre una persona competente o qualificata prima di utilizzare questi sistemi.
- **Per ridurre i rischi associati al lavoro in altezza che, se non evitati, potrebbero causare gravi lesioni personali o morte:**
  - Assicurarsi che le proprie condizioni fisiche e di salute permettano una resistenza in completa sicurezza a tutte le forze associate al lavoro in altezza. Consultare il proprio medico in caso di domande relative alla propria capacità d'uso di questa attrezzatura.
  - Non superare mai la capacità consentita della propria attrezzatura di protezione anticaduta.
  - Non superare mai la distanza massima di caduta libera della propria attrezzatura di protezione anticaduta.
  - Non utilizzare mai un'attrezzatura di protezione anticaduta che non abbia superato l'ispezione prima dell'uso o altri controlli programmati oppure in caso di dubbi sull'uso o sull'idoneità dell'attrezzatura in merito all'applicazione. Per eventuali domande, contattare l'assistenza tecnica di 3M.
  - Alcune combinazioni di sottosistemi e componenti potrebbero compromettere il funzionamento di questa attrezzatura. Utilizzare solo collegamenti compatibili. Consultare 3M prima di utilizzare questa attrezzatura in combinazione con componenti o sottosistemi diversi da quelli descritti nelle presenti istruzioni per l'utente.
  - Prestare particolare attenzione in presenza di macchinari in movimento (ad es., il top drive delle torri di perforazione), rischi di carattere elettrico, temperature estreme, rischi di carattere chimico, gas esplosivi o tossici, bordi taglienti oppure al di sotto di materiali sospesi che potrebbero cadere sull'utente o sulla sua attrezzatura di protezione anticaduta.
  - Utilizzare dispositivi Arc Flash o Hot Works quando si lavora in ambienti che presentano temperature elevate.
  - Evitare superfici e oggetti che possano danneggiare l'utente o l'attrezzatura.
  - Durante il lavoro in altezza assicurarsi che ci sia un tirante d'aria di caduta adeguato.
  - Non modificare o alterare mai la propria attrezzatura di protezione anticaduta. Solo 3M o centri con autorizzazione scritta di 3M possono procedere alla riparazione dell'attrezzatura.
  - Prima di utilizzare l'attrezzatura di protezione anticaduta, assicurarsi che esista un piano di salvataggio che permetta un salvataggio immediato nel caso in cui si verifichi un incidente.
  - In caso di incidente, fare in modo che il lavoratore caduto sia sottoposto immediatamente alle cure di un medico.
  - Non utilizzare una cintura in vita per applicazioni di arresto caduta. Utilizzare esclusivamente un'imbracatura integrale.
  - Ridurre al minimo le cadute con pendolo lavorando il più possibile direttamente sotto il punto di ancoraggio.
  - Durante la formazione con questo dispositivo, deve essere utilizzato un sistema di protezione anticaduta secondario in modo da non esporre l'utente a un pericolo di caduta involontario.
  - Quando si installa, utilizza o ispeziona il dispositivo/sistema, indossare sempre i dispositivi di protezione individuale idonei.



Prima di installare e utilizzare l'attrezzatura, registrare le informazioni di identificazione del prodotto dall'etichetta identificativa nel Registro di ispezione (tabella 2) e manutenzione che si trova sul retro del presente manuale.

### DESCRIZIONE ARTICOLO:

La figura 1 illustra il dispositivo di ancoraggio scorrevole 3M™ DBI-SALA™. Il dispositivo di ancoraggio scorrevole è un connettore d'ancoraggio per un sistema d'arresto caduta personale o un sistema di trattenuta progettato per essere fissato a una trave.

La figura 2 illustra i componenti del dispositivo di ancoraggio scorrevole. Vedere la Tabella 1 per le specifiche dei componenti. Il dispositivo di ancoraggio scorrevole è composto da una barra di supporto (A) con un anello connettore rotante (B) ed estremità a gancio (C) che agganciano i due bordi della flangia di una trave con blocchi linguette (D) che innescano le tacche della barra di supporto. Il dispositivo di ancoraggio scorrevole scivola uniformemente lungo la trave sulle piastre di usura (E). Un connettore o dispositivo autoretrattile (SRD) è connesso tra l'anello connettore rotante sul dispositivo di ancoraggio scorrevole e l'elemento di aggancio sull'imbracatura full body dell'utente.

**Tabella 1 - Specifiche**

Specifiche del sistema:				
<b>Capacità:</b>	1 persona con peso totale (compresi indumenti, utensili, ecc.) non superiore a: 140 kg (310 libbre) per EN 795.			
<b>Forza dell'ancoraggio:</b>	La forza di ancoraggio richiesta dipende dall'applicazione: <b>Struttura di ancoraggio:</b> la struttura su cui viene montato il connettore d'ancoraggio deve essere in grado di sostenere forza nella/e direzione/i di carico prevista/e. Tutte le posizioni dei punti di ancoraggio devono essere in grado di sostenere i seguenti valori: <table border="1"><tr><td><b>EN 795</b></td><td>12 kN</td></tr></table>		<b>EN 795</b>	12 kN
<b>EN 795</b>	12 kN			
<b>Temperatura di manutenzione</b>	-40°C (-40°F) Temperatura di manutenzione minima			
<b>Resistenza alla rottura del connettore d'ancoraggio:</b>	22 kN (5000 libbre) Forza di frenata minima			
<b>Dimensioni:</b>	Vedere la figura 1 per le dimensioni di ogni modello di dispositivo di ancoraggio scorrevole.			
<b>Peso:</b>	Vedere la figura 1 per il peso di ogni modello di dispositivo di ancoraggio scorrevole.			
Specifiche dei componenti:				
Figura di riferimento 2	Componente	Materiali		
(A)	Barra di supporto	Lega di alluminio		
(B)	Anello connettore	Lega di acciaio		
(C)	Estremità ganci	Lega di alluminio		
(D)	Blocchi linguette	Lega di acciaio		
(E)	Piastre di usura	Nylon		

**1 Persona qualificata:** persona con un diploma o un certificato professionale riconosciuto e un'esperienza approfondita nel campo della protezione anticaduta. Questa persona deve essere in grado di progettare, analizzare, valutare e specificare i dati della protezione anticaduta.

## 1.0 APPLICAZIONE DELL'ARTICOLO

- 1.1 FINALITÀ:** I connettori di ancoraggio sono progettati per fornire punti di collegamento di ancoraggio per i sistemi di arresto caduta<sup>1</sup> o di trattenuta<sup>2</sup>: trattenuta, posizionamento sul lavoro, trasporto del personale, salvataggio, ecc.

**Solo protezione anticaduta:** questo connettore d'ancoraggio è per il collegamento dell'attrezzatura di protezione anticaduta. Non collegare dispositivi di sollevamento a questo connettore d'ancoraggio.

- 1.2 STANDARD:** il connettore d'ancoraggio è conforme agli standard nazionali o regionali segnalati nella copertina di queste istruzioni. Se il prodotto viene rivenduto al di fuori del Paese di destinazione originario, il rivenditore dovrà fornire le presenti istruzioni nella lingua del Paese in cui dovrà essere utilizzato il prodotto.
- 1.3 SUPERVISIONE:** L'utilizzo dell'attrezzatura deve essere supervisionato da una persona competente<sup>3</sup>.
- 1.4 FORMAZIONE:** l'attrezzatura deve essere installata e utilizzata da personale qualificato. Il presente manuale deve essere utilizzato nell'ambito di un programma di formazione dei dipendenti, come richiesto dalla CE. È responsabilità dell'utente e dell'installatore dell'attrezzatura assicurarsi di avere dimestichezza con queste istruzioni e di conoscere correttamente le procedure di uso e manutenzione, di essere consapevoli delle caratteristiche di funzionamento, dei limiti di applicazione e delle conseguenze di un uso improprio.
- 1.5 PIANO DI SALVATAGGIO:** durante l'utilizzo della presente attrezzatura e dei sottosistemi di connessione, il responsabile deve disporre di un piano di salvataggio, nonché dei mezzi per implementarlo e comunicarlo a utenti, persone autorizzate<sup>4</sup> e soccorritori<sup>5</sup>. Si consiglia la presenza di una squadra di soccorso addestrata in loco. I membri della squadra devono conoscere le tecniche e disporre delle attrezzature necessarie per un soccorso efficace. La formazione deve essere fornita periodicamente per garantire la competenza dei soccorritori.
- 1.6 FREQUENZA DELLE ISPEZIONI:** il connettore d'ancoraggio deve essere ispezionato dall'utente prima di ciascun utilizzo e da una persona competente diversa dall'utente, almeno una volta l'anno.<sup>6</sup> Le procedure d'ispezione sono descritte nel "Registro di ispezione e manutenzione". I risultati di ciascuna ispezione della persona competente devono essere registrati in copie del "Registro di ispezione e manutenzione".
- 1.7 DOPO UNA CADUTA:** se il connettore d'ancoraggio è stato soggetto alle forze di arresto di una caduta, deve essere rimosso immediatamente dal servizio, contrassegnato con "NON USARE" e distrutto.

## 2.0 REQUISITI DI SISTEMA

- 2.1 ANCORAGGIO:** i requisiti di ancoraggio variano in base all'applicazione della protezione anticaduta. struttura su cui è collocato o montato il connettore d'ancoraggio che deve rispondere alle specificazioni di ancoraggio definite nella Tabella 1.
- 2.2 SISTEMA DI PROTEZIONE ANTICADUTA:** La Figura 1 mostra l'applicazione del connettore di ancoraggio. I sistemi protezione anticaduta utilizzati con questo sistema devono soddisfare gli standard, i codici e i requisiti applicabili di protezione anticaduta. Il sistema di protezione anticaduta deve essere dotato di imbracatura integrale e limitare la forza di arresto ai valori seguenti:

	Forza di arresto massima	Caduta libera
<b>Sistema di protezione anticaduta con cordino assorbitore di energia</b>	6 kN (1350 libbre)	Fare riferimento alle istruzioni incluse con cordino o SRD per le limitazioni di caduta libera.
<b>Sistemi di protezione anticaduta con dispositivo autoretrattile (SRD)</b>	6 kN (1350 libbre)	

- 2.3 TRAIETTORIA DI CADUTA E VELOCITÀ DI BLOCCAGGIO DEL DISPOSITIVO ANTICADUTA RETRATTILE:** è necessaria una traiettoria sgombra per garantire l'efficacia dell'arresto di un dispositivo autoretrattile (Self-Retracting Device, SRD). Evitare situazioni che non consentano una traiettoria di caduta libera. Lavorare in spazi stretti o bloccati potrebbe impedire il raggiungimento della velocità di arresto adeguata dell'SRD in caso di caduta. Lavorare su materiali a lento spostamento, come sabbia o sementi, potrebbe impedire il raggiungimento della velocità di arresto adeguata per bloccare l'SRD.
- 2.4 PERICOLI:** l'utilizzo dell'attrezzatura in aree con rischi ambientali può richiedere ulteriori precauzioni per prevenire lesioni all'utente o danneggiamenti all'attrezzatura. Tra i rischi possono esservi i seguenti (pur non essendo limitati a questi): calore, sostanze chimiche, ambienti corrosivi, linee ad alta tensione, gas tossici o esplosivi, macchinari in movimento, bordi taglienti o la presenza di materiali al di sopra dell'utente che possono cadere ed entrare in contatto con l'utente o con il sistema d'arresto caduta.
- 2.5 TIRANTE D'ARIA DI CADUTA:** la Figura 3 illustra i componenti di un sistema d'arresto caduta. Deve essere presente un tirante d'aria di caduta sufficiente per arrestare una caduta prima che l'operatore tocchi il terreno o altri impedimenti.

**1 Sistema d'arresto caduta:** un insieme di attrezzature di protezione anticaduta configurate per fermare una caduta libera.

**2 Sistema di trattenuta:** un insieme di attrezzature di protezione anticaduta configurate per evitare che il centro di gravità di una persona raggiunga un punto di pericolo di caduta.

**3 Persona competente:** persona in grado di individuare i rischi esistenti e prevedibili nell'ambiente circostante o condizioni di lavoro malsane, rischiose e pericolose per i dipendenti, autorizzata a prendere immediati provvedimenti per porvi rimedio.

**4 Persona autorizzata:** ai sensi delle norme Z359, una persona incaricata dal datore di lavoro di svolgere delle mansioni in un luogo in cui la persona sarà esposta a pericolo di caduta.

**5 Soccorritore:** persona o persone diverse dal soggetto a rischio che agiscono per compiere un salvataggio assistito tramite il funzionamento del sistema di salvataggio.

**6 Frequenza delle ispezioni:** condizioni di lavoro estreme (ambienti proibitivi, uso prolungato e così via) possono richiedere un incremento nella frequenza delle ispezioni da parte della persona competente.

Il tirante d'aria è influenzato da numerosi fattori tra cui: (A) posizionamento dell'ancoraggio, (B) lunghezza del cordino, (C) distanza di decelerazione del cordino o distanza massima di arresto dell'SRD, (D) cedimento dell'imbracatura e anello a D/lunghezza del connettore e assestamento. Fare riferimento al manuale fornito con il sottosistema d'arresto caduta per le specifiche relative al calcolo del tirante d'aria di caduta.

- 2.6 CADUTE CON PENDOLO:** le cadute con pendolo si verificano quando il punto di ancoraggio non è esattamente al di sopra del punto in cui si verifica la caduta (vedere la Figura 4). Durante una caduta con pendolo, la forza d'urto contro un oggetto può causare gravi lesioni o decesso. Ridurre al minimo le cadute con pendolo lavorando il più possibile direttamente sotto il punto di ancoraggio. Per evitare lesioni, prevenire le cadute con pendolo. In caso di uso di un dispositivo anticaduta retrattile o di altri sottosistemi di connessione a lunghezza variabile, le cadute con pendolo necessitano di un tirante d'aria significativamente maggiore.
- 2.7 COMPATIBILITÀ DEI COMPONENTI:** l'attrezzatura 3M è progettata solo per l'utilizzo con componenti e sottosistemi approvati da 3M. Eventuali sostituzioni con componenti o sottosistemi non approvati potrebbero compromettere la compatibilità delle apparecchiature e la sicurezza, nonché l'affidabilità di tutto il sistema.
- 2.8 COMPATIBILITÀ DEI CONNETTORI:** i connettori sono considerati compatibili con gli elementi di collegamento quando sono progettati per essere utilizzati in modo che le rispettive forme e dimensioni non causino l'apertura involontaria dei meccanismi di chiusura, indipendentemente dal modo in cui si orientano. In caso di dubbi sulla compatibilità, contattare 3M.

I connettori devono essere conformi allo standard EN 362. I connettori devono essere compatibili con l'ancoraggio o altri componenti del sistema. Non utilizzare attrezzature non compatibili. I connettori non compatibili potrebbero sganciarsi involontariamente (vedere la Figura 5). I connettori devono essere compatibili per dimensioni, forma e potenza. Se l'elemento di collegamento a cui è agganciato un connettore a scatto o un moschettone ha una forma irregolare o le dimensioni sono inferiori a quanto necessario, l'elemento di collegamento potrebbe applicare una forza al dispositivo di chiusura del connettore a scatto o del moschettone (A). Tale forza potrebbe indurre l'apertura del dispositivo di chiusura (B) e, di conseguenza, il connettore a scatto o il moschettone potrebbe sganciarsi dal punto di collegamento (C).

- 2.9 REALIZZAZIONE DEI COLLEGAMENTI:** i connettori a scatto e i moschettoni utilizzati con questa attrezzatura devono disporre di un meccanismo di autobloccaggio. Accertarsi che i connettori siano di dimensioni, forma e resistenza compatibili. Non utilizzare attrezzature non compatibili. Accertarsi che tutti i connettori siano completamente chiusi e bloccati.

I connettori 3M (ganci a scatto e moschettoni) sono progettati solo per l'utilizzo specificato nelle istruzioni per l'utente di ciascun prodotto. Vedere la Figura 6 per esempi di collegamenti non appropriati. Non collegare i connettori a scatto e i moschettoni come descritto:

- A. A un anello a D a cui è collegato un altro connettore.
- B. In modo tale da indurre un carico sul dispositivo di chiusura. Non collegare ganci a scatto con ampia distanza tra gli anelli a D di dimensioni standard oppure oggetti simili in modo da indurre un carico sul dispositivo di chiusura in caso di torsione o rotazione del gancio o dell'anello a D, a meno che il gancio a scatto non sia dotato di dispositivo di chiusura da 16 kN (3600 libbre). Controllare la marcatura sul proprio connettore a scatto per verificarne l'idoneità per l'applicazione prevista.
- C. In un falso aggancio, dove le caratteristiche che sporgono dal connettore a scatto o dal moschettone si agganciano all'ancoraggio e senza conferma visiva che attesti il completo aggancio al punto di ancoraggio.
- D. Uno all'altro.
- E. Direttamente al nastro, al cordino di sicurezza o al collegamento diretto, a meno che le istruzioni del produttore relative al cordino di sicurezza e al connettore non consentano specificatamente tale collegamento.
- F. A qualsiasi oggetto di forma o dimensione tale da impedire la chiusura e il blocco del connettore a scatto o del moschettone o di causare il lancio.
- G. In un modo che non consente al connettore di allinearsi correttamente quando sotto carica.

### 3.0 INSTALLAZIONE

*L'installazione del dispositivo di ancoraggio scorrevole per trave DBI-SALA deve essere supervisionata da una persona qualificata<sup>1</sup>. Una persona qualificata<sup>2</sup> deve certificare che l'installazione soddisfa i criteri per un ancoraggio certificato o è in grado di sostenere le potenziali forze che potrebbero verificarsi durante una caduta.*

- 3.1 PIANIFICAZIONE:** Pianificare il proprio sistema di protezione anticaduta prima di installare il dispositivo di ancoraggio scorrevole. Considerare tutti i fattori che possono influire sulla propria sicurezza prima, durante e dopo una caduta. Prendere in considerazione tutti i requisiti, le limitazioni e le specifiche definiti nella Sezione 2 e nella Tabella 1.

**Arresti finali:** *A entrambe le estremità della trave devono essere presenti degli arresti finali conformi ai requisiti di Forza di ancoraggio indicati nella tabella 1. Se la trave è verticale o in pendenza, il dispositivo di ancoraggio scorrevole deve trovarsi vicino all'arresto finale inferiore per evitare che durante una caduta il dispositivo di ancoraggio scorrevole si muova.*

- 3.2 INSTALLAZIONE DEL DISPOSITIVO DI ANCORAGGIO SCORREVOLE:** Il dispositivo di ancoraggio scorrevole può essere installato su travi che soddisfano i requisiti di ancoraggio specificati nella Tabella 1. Vedere l'ampiezza della flangia della trave consentita (A) e lo spessore (B) di ogni modello di dispositivo di ancoraggio scorrevole alla figura 1. Il dispositivo di ancoraggio scorrevole può essere montato in alto (A), in basso (B) o di lato (C o D) sulla trave (vedere figura 7). La figura 8 illustra l'installazione del dispositivo di ancoraggio scorrevole. Per installare il dispositivo di ancoraggio scorrevole:

1. Premere il rilascio del blocco delle linguette di ogni connettore all'estremità, regolare i connettori in modo che siano posizionati al di sopra della flangia della trave con l'anello connettore centrato tra i connettori alle estremità e poi rilasciare il rilascio del blocco delle etichette.
2. Posizionare il dispositivo di ancoraggio scorrevole sulla flangia della trave con l'anello connettore centrato sulla trave. Far scorrere i connettori alle estremità verso l'interno finché non sono fissati sulla flangia della trave.
3. Con le linguette di blocco in posizione di blocco, spostare i connettori alle estremità leggermente verso l'interno o l'esterno per assicurarsi che i denti di arresto innestino completamente i denti della barra.

**Spazio tra i connettori alle estremità:** *Lo spazio totale tra i connettori alle estremità e la flangia della trave non deve essere superiore a 14,3 mm. Vedere Figura 1.*

4. Ispezionare l'installazione per confermare che l'ancoraggio scorrevole per trave non possa uscire dalla trave in nessun punto lungo la traiettoria di movimento prevista o in corrispondenza dei giunti o delle estremità della trave. I giunti tra le sezioni della trave devono essere allineati con uno spazio massimo di 12,7 mm (1/2 pollice).

### 4.0 USO

- 4.1 PRIMA DI OGNI USO:** verificare che la propria area di lavoro e il sistema di protezione anticaduta soddisfino tutti i criteri definiti nella Sezione 2 e che sia messo in atto un piano formale di salvataggio. Ispezionare il dispositivo di ancoraggio scorrevole in base ai punti di ispezione "utente" indicati nel "Registro di ispezione e manutenzione" (Tabella 2). Non utilizzare il sistema se l'ispezione rivela una condizione pericolosa o difettosa. Ritirare il sistema dal servizio e distruggerlo o contattare 3M per un'eventuale riparazione o sostituzione.

- 4.2 COLLEGAMENTI DI ARRESTO CADUTA:** il dispositivo di ancoraggio scorrevole è utilizzato con un'imbracatura integrale e cordino dissipatore di energia o con il dispositivo autoretrattile (Self-Retracting Device, SRD). La figura 9 illustra la connessione del cordino (A) o SRD (B) tra l'imbracatura e il dispositivo di ancoraggio scorrevole. Collegare il cordino o l'SRD tra l'anello a D sul dispositivo di ancoraggio scorrevole e l'anello dorsale a D sul retro dell'imbracatura seguendo le indicazioni riportate nelle istruzioni fornite con il cordino o l'SRD.

### 5.0 ISPEZIONE

- 5.1 FREQUENZA DELLE ISPEZIONI:** il dispositivo di ancoraggio scorrevole deve essere sottoposto a ispezione agli intervalli definiti nella Sezione 1. Le procedure d'ispezione sono descritte nel "Registro di ispezione e manutenzione" (Tabella 2). Ispezionare tutti gli altri componenti del sistema di protezione anticaduta seguendo la frequenza e le procedure indicate nelle istruzioni del produttore.

*Condizioni di lavoro estreme (ambienti proibitivi, uso prolungato ecc.) possono richiedere un incremento nella frequenza dei controlli.*

*I dispositivi di ancoraggio scorrevole sono dotati di una targhetta di identificazione a radiofrequenza (Radio Frequency Identification, RFID). La targhetta RFID può essere usata in combinazione con un dispositivo manuale di lettura sia per semplificare l'ispezione e il controllo dell'inventario, sia per fornire informazioni sull'attrezzatura anticaduta.*

- 5.2 DIFETTI:** qualora l'ispezione riveli una condizione pericolosa o difettosa, rimuovere immediatamente il dispositivo di ancoraggio scorrevole dal servizio e contattare 3M per un'eventuale sostituzione o riparazione. Non cercare di riparare il sistema d'arresto caduta.

**1 Persona competente:** persona in grado di individuare i rischi esistenti e prevedibili nell'ambiente circostante o condizioni di lavoro malsane, rischiose e pericolose per i dipendenti, autorizzata a prendere immediati provvedimenti per porvi rimedio.

**2 Persona qualificata:** persona con un diploma o un certificato professionale riconosciuto e un'esperienza approfondita nel campo della protezione anticaduta. Questa persona deve essere in grado di progettare, analizzare, valutare e specificare i dati della protezione anticaduta.

**Solo riparazioni autorizzate:** SOLO 3M o centri con autorizzazione scritta possono procedere alla riparazione di questa attrezzatura.

**5.3 VITA DEL PRODOTTO:** la durata operativa del sistema d'arresto caduta dipende dalle condizioni di lavoro e dalla manutenzione. L'articolo può rimanere in servizio finché è in grado di soddisfare i criteri di ispezione.

## **6.0 MANUTENZIONE, ASSISTENZA E STOCCAGGIO**

**6.1 PULIZIA:** pulire regolarmente i componenti metallici del dispositivo di ancoraggio scorrevole con una spazzola morbida, acqua calda e un detergente neutro. Accertarsi che le parti siano completamente risciacquate con acqua pulita.

**6.2 RIMOZIONE E INSTALLAZIONE DELLE PIASTRE DI USURA:** Le piastre di usura sono l'unico componente del dispositivo di ancoraggio scorrevole che può essere sottoposto a manutenzione da un utente. La figura 10 illustra la sostituzione delle piastre di usura. Se l'ispezione rivela piastre crepate o usurate, seguire i seguenti passaggi per rimuovere le vecchie piastre e installare le nuove piastre sostitutive.

1. Inserire un cacciavite a testa piana tra la parte superiore della piastra di usura in plastica e il morsetto all'estremità.
2. Far scivolare il cacciavite nella parte frontale della piastra di usura ed estrarre l'estremità. Inserire il cacciavite tra la parte superiore della piastra di usura in plastica e il morsetto all'estremità. Far scivolare il cacciavite nella parte frontale della piastra di usura ed estrarre l'estremità.
3. Estrarre la parte inferiore della piastra di usura e rimuoverla dal morsetto all'estremità. Smaltire la vecchia piastra di usura.
4. Inserire la nuova piastra di estremità nel morsetto all'estremità. Applicare pressione per inserirla nella posizione corretta.

**6.3 MANUTENZIONE SOLO 3M O CENTRI CON AUTORIZZAZIONE SCRITTA DA PARTE DI 3M POSSONO PROCEDERE ALLA RIPARAZIONE DI QUESTA ATTREZZATURA. SE IL DISPOSITIVO DI ANCORAGGIO SCORREVOLE HA SUBITO UNA CADUTA,** dev'essere rimosso immediatamente dal servizio, contrassegnato chiaramente con "NON USARE" e poi distrutto. **QUALORA L'ISPEZIONE RIVELI CONDIZIONI PERICOLOSE O IRREGOLARI, RIMUOVERE IL SISTEMA DAL SERVIZIO E CONTATTARE 3M PER UN'EVENTUALE SOSTITUZIONE O RIPARAZIONE.**

**6.4 CONSERVAZIONE E TRASPORTO:** quando non viene utilizzato, conservare e trasportare il dispositivo di ancoraggio scorrevole e la relativa attrezzatura di protezione anticaduta in un ambiente fresco, asciutto e pulito, lontano da luce solare diretta. Evitare zone con vapori chimici. Dopo un lungo periodo di inutilizzo, ispezionare attentamente i componenti.

## **7.0 ETICHETTE**

La figura 11 illustra le etichette sul dispositivo di ancoraggio scorrevole. Sostituire le etichette se non sono completamente leggibili. Su ogni etichetta sono presenti le informazioni seguenti:

A	Etichetta RFID
B	Etichetta di avvertenza: 1) Ispezionare il dispositivo di ancoraggio scorrevole. 2) Non riparare. Questo prodotto deve essere sottoposto a manutenzione presso un centro manutenzioni autorizzato. 3) Intervallo di temperatura -40°C - +60°C. 4) Sedi di installazione e gamme di lavoro accettabili. Installare solo su travi verticali e orizzontali con arresti terminali. 5) Conservare i dispositivi di ancoraggio scorrevole in un ambiente fresco, asciutto e pulito, lontano dalla luce diretta del sole. 6) Non rimuovere le etichette dal dispositivo di ancoraggio scorrevole. 7a) Non usare su travi senza arresti terminali. 7b) Installazione corretta su travi con arresti terminali. 8a) Installare su strutture classificate 12kN o superiori. 8b) Non usare su strutture classificate meno di 12 kN. 9) Non usare su travi inclinate.
C	10) Leggere le istruzioni dell'articolo. 11) Capacità massima 140 kg (310 libbre). 12) ID ente notificato. 13) Mese e anno di produzione. 14) Numero di lotto. 15) Numero di modello. 16) Sedi di installazione e gamme di lavoro accettabili. Installare su strutture classificate 12kN o superiori. 17) Registro di ispezione. 18) Data di ispezione. 19) Iniziali dell'ispettore. 20) Numero del modello del dispositivo di ancoraggio scorrevole, larghezze della flangia della trave consentite e spessori della flangia della trave consentiti.

**Tabella 2 - Registro di ispezione e manutenzione**

<b>Data di ispezione:</b>		<b>Controllato da:</b>	
<b>Componenti:</b>	<b>Ispezione:</b> (vedere la Sezione 1 per la <i>Frequenza delle ispezioni</i> )	<b>Utente</b>	<b>Persona competente<sup>1</sup></b>
Dispositivo di ancoraggio scorrevole (Figura 2)	Ispezionare il danno al dispositivo di ancoraggio scorrevole: verificare incrinature, ammaccature o deformazioni.	<input type="checkbox"/>	<input type="checkbox"/>
	Ispezionare tubo di supporto (A), anello connettore (B), supporto dell'anello correttore, estremità dei ganci (C) e blocchi delle linguette (D) in cerca di curvature o usura.	<input type="checkbox"/>	<input type="checkbox"/>
	Ispezionare in cerca di parti mancanti (rivetti alle estremità, viti centrali etc.).	<input type="checkbox"/>	<input type="checkbox"/>
	Verificare che l'intera unità non presenti corrosioni.	<input type="checkbox"/>	<input type="checkbox"/>
	Ispezionare le piastre d'usura per verificare che non siano usurate al punto che le estremità del gancio sono a diretto contatto con la flangia della trave. Sostituire le piastre d'usura usurate o crepate. (Consultare la sezione Rimozione e installazione delle piastre d'usura)	<input type="checkbox"/>	<input type="checkbox"/>
	Ispezionare i denti della barra di supporto (A) in cerca di usura o danneggiamento. Assicurarsi che i denti di arresto innestino perfettamente e automaticamente ogni dente all'atto del rilascio dei blocchi delle linguette (D).	<input type="checkbox"/>	<input type="checkbox"/>
	Assicurarsi che i blocchi delle linguette (D) funzionino liberamente, tornino di scatto interamente in posizione e si innestino automaticamente con i denti della barra di supporto (A).	<input type="checkbox"/>	<input type="checkbox"/>
Etichette (Figura 11)	Verificare che tutte le etichette siano presenti, saldamente attaccate e leggibili (vedere la sezione "Etichette").	<input type="checkbox"/>	<input type="checkbox"/>
Sistemi di protezione anticaduta e altra attrezzatura	Le apparecchiature aggiuntive del sistema di protezione anticaduta (imbracatura, dispositivo anticaduta retrattile, ecc.) utilizzate insieme al sistema di ancoraggio devono essere installate e ispezionate conformemente alle istruzioni del produttore.	<input type="checkbox"/>	<input type="checkbox"/>

<b>Numeri di serie:</b>	<b>Data di acquisto:</b>
<b>Numero modello:</b>	<b>Data del primo utilizzo:</b>
<b>Azione correttiva/manutenzione:</b>	Approvato da:
	Data:
<b>Azione correttiva/manutenzione:</b>	Approvato da:
	Data:
<b>Azione correttiva/manutenzione:</b>	Approvato da:
	Data:
<b>Azione correttiva/manutenzione:</b>	Approvato da:
	Data:
<b>Azione correttiva/manutenzione:</b>	Approvato da:
	Data:
<b>Azione correttiva/manutenzione:</b>	Approvato da:
	Data:
<b>Azione correttiva/manutenzione:</b>	Approvato da:
	Data:
<b>Azione correttiva/manutenzione:</b>	Approvato da:
	Data:
<b>Azione correttiva/manutenzione:</b>	Approvato da:
	Data:
<b>Azione correttiva/manutenzione:</b>	Approvato da:
	Data:

<sup>1</sup> **Persona competente:** persona in grado di individuare i rischi esistenti e prevedibili nell'ambiente circostante o condizioni di lavoro malsane, rischiose e pericolose per i dipendenti, autorizzata a prendere immediati provvedimenti per porvi rimedio.



Lees alle veiligheidsinformatie in deze instructies voordat u deze verankeringsconnector gebruikt. Vergewis u ervan dat u alle informatie en instructies hebt begrepen en volg deze op. **NALATIGHEID KAN ERNSTIG LETSEL OF DE DOOD TOT GEVOLG HEBBEN.**

Deze instructies dienen aan de gebruiker van deze apparatuur verstrekt te worden. Bewaar deze instructies zodat u ze later kunt raadplegen.

## Beoogd gebruik:

Deze verankeringsconnector is bedoeld voor gebruik als onderdeel van een volledig persoonlijk valbeveiligingssysteem.

Gebruik in andere toepassingen, inclusief (maar niet beperkt tot) materiaalbehandeling, vrijetijdsactiviteiten, sporten of andere activiteiten die niet in de gebruiksinstructies omschreven staan, wordt niet goedgekeurd door 3M en kan leiden tot een ongeval met ernstig letsel of de dood tot gevolg.

Dit apparaat mag uitsluitend worden gebruikt door opgeleide gebruikers voor toepassing op de werkplaats.

## WAARSCHUWING

Deze verankeringsconnector maakt deel uit van een persoonlijk valbeveiligingssysteem. Er wordt verwacht dat alle gebruikers volledig zijn opgeleid voor een veilige installatie en veilig gebruik van hun persoonlijke valbeveiligingssysteem. **Misbruik van dit apparaat kan leiden tot ernstig letsel of een dodelijk ongeval.** Raadpleeg voor het correct selecteren, installeren, bedienen, onderhouden en verzorgen deze gebruiksaanwijzing, inclusief alle aanbevelingen van de fabrikant, of raadpleegt u uw leidinggevende of neemt u contact op met 3M Technical Services.

- **Doe het volgende om de risico's die gepaard gaan met het werken met een verankeringsconnector te beperken. Dit nalaten kan leiden tot ernstig letsel of een dodelijk ongeval:**
  - Inspecteer voorafgaand aan elk gebruik alle onderdelen van het systeem, minstens één keer per jaar en na elke valgebeurtenis. Voer de inspectie uit conform de gebruiksinstructies.
  - Als uit inspectie een defect of onveilige werking blijkt, stelt u het apparaat onmiddellijk buiten gebruik en zorgt u voor reparatie of vervanging volgens de gebruiksinstructies.
  - Elk apparaat dat eerder werd onderworpen aan valstop- of botskrachten, moet onmiddellijk buiten gebruik worden gesteld en vernietigd.
  - Het apparaat mag alleen worden geïnstalleerd in de substraten of op de structuren die zijn vermeld in de gebruikersinstructies. Installaties en vormen van gebruik die buiten het bereik van de instructies vallen, moeten schriftelijk door 3M Fall Protection worden goedgekeurd.
  - Het substraat of de structuur waarop de verankeringsconnector is bevestigd/gepositioneerd, moet de statische belastingen die zijn opgegeven voor de verankeringsconnector kunnen ondersteunen in de oriëntaties die volgens de gebruiksinstructies zijn toegestaan.
  - Sluit andere valbeveiligingssubsystemen uitsluitend aan op het aangewezen verankeringsverbindingpunt van het apparaat.
  - Zorg er bij het boren van gaten voor montage of installatie van het systeem voor dat er geen elektrische kabels, gasleidingen of andere kritische materialen of apparatuur door de boor kunnen worden geraakt.
  - Zorg ervoor dat valbeveiligingssystemen/-subsystemen samengesteld uit onderdelen van verschillende fabrikanten compatibel zijn en aan de geldende normen voldoen, waaronder ANSI Z359 of andere geldende voorschriften, normen of vereisten op het gebied van valbescherming. Raadpleeg altijd een deskundige en/of een gekwalificeerd persoon voordat u deze systemen gebruikt.
- **Doe het volgende om de risico's te beperken die gepaard gaan met het werken op hoogte, waarbij nalatigheid kan leiden tot een ongeval met ernstig letsel of de dood tot gevolg:**
  - Vergewist u zich ervan dat u met uw gezondheid en lichamelijke conditie veilig bestand bent tegen alle krachten die kunnen optreden bij het werken op hoogte. Raadpleeg uw arts als u twijfelt of u in staat bent om deze uitrusting te gebruiken.
  - Overschrijd nooit de toelaatbare capaciteit van uw valbeveiligingsuitrusting.
  - Overschrijd nooit de maximale vrijevalafstand van uw valbeveiligingsuitrusting.
  - Gebruik nooit valbeveiligingsuitrusting die een gebrek vertoont bij de inspectie vóór het gebruik of andere periodieke inspecties, of als u onzeker bent over het gebruik of de geschiktheid van de uitrusting voor uw toepassing. Neem voor al uw vragen contact op met 3M Technical Services.
  - Sommige combinaties van subsystemen en componenten kunnen de werking van deze uitrusting verstoren. Gebruik uitsluitend koppelingen die onderling geschikt zijn. Raadpleeg 3M voordat u deze apparatuur gebruikt in combinatie met andere componenten of subsystemen dan die welke in de gebruiksinstructies beschreven staan.
  - Wees extra voorzichtig bij het werken in de buurt van bewegende machines (bijv. top drive van boorplatform), op plaatsen met elektrische gevaren, extreme temperaturen, chemische gevaren, explosieve of giftige gassen, scherpe randen, of onder voorwerpen boven het hoofd die op u of uw valbeveiligingsuitrusting kunnen vallen.
  - Gebruik bij werken in een hete omgeving of met hitteapparatuur beschermingsmiddelen tegen risico's op een vlamboog en brandgevaar.
  - Vermijd oppervlakken en voorwerpen die de gebruiker of de uitrusting kunnen beschadigen.
  - Vergewist u zich ervan dat er voldoende vrije val is bij het werken op hoogte.
  - Wijzig of verander uw valbeveiligingsuitrusting nooit. Alleen 3M, of partijen die door 3M schriftelijk bevoegd worden gesteld, mogen de uitrusting repareren.
  - Zorg, voordat de valbeveiligingsuitrusting in gebruik wordt genomen, dat er een reddingsplan aanwezig is waarmee in geval van een ongeval snel hulp kan worden geboden.
  - Laat na een val de betreffende persoon onmiddellijk door een arts onderzoeken.
  - Gebruik geen lichaamsgordel voor valstop-toepassingen. Gebruik uitsluitend een volledig lichaamsharnas.
  - Minimaliseer zwenkvallen door zo recht mogelijk onder het ankerpunt te werken.
  - Bij training met dit apparaat moet een tweede valbeveiligingssysteem worden gebruikt, om elk risico te vermijden dat de gebruiker-in-training per ongeluk aan valgevaar wordt blootgesteld.
  - Draag altijd geschikte persoonlijke beschermingsmiddelen bij het installeren, gebruiken of inspecteren van het apparaat/systeem.



☑ *Noteer, voorafgaand aan het gebruik of de installatie van deze apparatuur, de productidentificatiegegevens van het ID-label in het Logboek voor inspectie en onderhoud (Tabel 2) achter in deze handleiding.*

**PRODUCTBESCHRIJVING:**

Afbeelding 1 illustreert de 3M™ DBI-SALA™ valstop voor de glijstang. De valstop voor de glijstang is een verankeringsconnector met één punt voor een persoonlijk valstopsysteem of persoonlijk systeem voor valbeperking dat is ontworpen om aan een stang te worden bevestigd.

Afbeelding 2 illustreert de componenten van de valstop voor de glijstang. Zie Tabel 1 voor de componentspecificaties. De valstop voor de glijstang bestaat uit een gekerfde steunbalk (A) met een draaibare connectoring (B) en verstelbare haakuiteinden (C) die over elke rand van een balkflens haken met tabsloten (D) die op de steunbalk in de inkepingen op de rand grijpen. De valstop voor de glijstang schuift op slijtplaten (E) soepel langs de stang. Een draagriem of zelf-intrekkend apparaat (SRD) is verbonden tussen de draaibare verbindingsring op de valstop voor de glijstang en het juiste bevestigingselement op het volledige lichaamsharnas van de gebruiker.

**Tabel 1 – Specificaties**

Systeemspecificaties:		
<b>Capaciteit :</b>	1 persoon met een gecombineerd gewicht (kleding, gereedschap, enz.) van niet meer dan: 140 kg voor EN 795.	
<b>Verankeringssterkte:</b>	De vereiste verankeringssterkte is afhankelijk van de toepassing. <b>Verankeringsstructuur:</b> De constructie waarop de valstopverbinding gemonteerd is, moet in de verwachte beweegrichting(en) in staat zijn om kracht te behouden. Elke locatie van een verankeringspunt moet in staat zijn de volgende waarden te behouden:	
	<b>EN 795</b>	12 kN
<b>Gebruikstemperatuur</b>	-40°C Minimale gebruikstemperatuur	
<b>Breekkracht van de valstopverbinding:</b>	22 kN Minimale breeksterkte	
<b>Afmetingen:</b>	Zie Afbeelding 1 voor de afmetingen van elk model valstop voor de glijstang.	
<b>Gewicht:</b>	Zie Afbeelding 1 voor het gewicht van elk model valstop voor de glijstang.	
Componentspecificaties:		
Referentie in Afbeelding 2	Onderdeel	Materialen
Ⓐ	Steunbalk	Aluminiumlegering
Ⓑ	Connectoring	Gelegeerd staal
Ⓒ	Haakeinden	Aluminiumlegering
Ⓓ	Tabsloten	Gelegeerd staal
Ⓔ	Slijtplaten	Nylon

**1 Gekwalificeerd persoon:** Een persoon met een erkende graad of een professioneel certificaat en uitgebreide ervaring op het gebied van valbeveiliging. Deze persoon moet in staat zijn tot het ontwerpen, analyseren, evalueren en specificeren van producten op het gebied van valbeveiliging.

## 1.0 TOEPASSING VAN HET PRODUCT

- 1.1 DOEL:** Verankeringsconnectors zijn ontworpen om bevestigingspunten voor de verankeringspunten te bieden voor valstop<sup>-1</sup> of valbeperking<sup>2</sup>systemen: Beperking, Werkpositionering, Personeelbewegingen, Redding, enz.

**Alleen valbescherming:** Deze verankeringsconnector dient voor het verbinden van valbeveiligingsapparatuur. Verbind geen hijsapparatuur aan deze verankeringsconnector.

- 1.2 NORMEN:** Uw verankeringsconnector voldoet aan de nationale of regionale norm(en) die staan vermeld op de omslag van deze instructies. Als dit product opnieuw verkocht wordt buiten het oorspronkelijke land van bestemming, dient de wederverkoper deze instructies te leveren in de taal van het land waarin het product gebruikt zal worden.
- 1.3 TOEZICHT:** Het gebruik van deze apparatuur moet plaatsvinden onder toezicht van een deskundige<sup>3</sup>.
- 1.4 TRAINING:** Deze apparatuur moet geïnstalleerd en gebruikt worden door personen die getraind zijn in de juiste toepassing van deze apparatuur. Deze handleiding moet gebruikt worden als onderdeel van een trainingsprogramma voor medewerkers zoals vereist wordt door CE. Het is de verantwoordelijkheid van de gebruikers en installateurs van deze apparatuur om zich ervan te verzekeren dat ze deze instructies kennen, getraind zijn in het juiste gebruik en de verzorging van de apparatuur, en zich bewust zijn van de gebruikskennmerken, toepassingsbeperkingen en de gevolgen van enig onjuist gebruik van deze apparatuur.
- 1.5 REDDINGSPLAN:** Wanneer deze apparatuur en verbindende subsystemen worden gebruikt, dient de werkgever te beschikken over een reddingsplan en de middelen binnen bereik te hebben om het reddingsplan te implementeren en te communiceren naar gebruikers, bevoegde personen<sup>4</sup> en reddingswerkers<sup>5</sup>. Het wordt aanbevolen dat een getraind reddingsteam ter plekke aanwezig is. Teamleden moeten de apparatuur en technieken aangeleverd krijgen om een succesvolle reddingsactie te verrichten. Er moet op periodieke basis training gegeven worden om ervoor te zorgen dat de kennis van de redders actueel blijft.
- 1.6 REGELMAAT VAN INSPECTIES:** Iedere gebruiker dient de verankeringsconnector voorafgaand aan gebruik te inspecteren. Eventueel kan het apparaat ook worden beoordeeld door een andere deskundige dan de gebruiker. Er mag niet meer dan een jaar tussen de inspecties liggen.<sup>6</sup> De inspectieprocedures zijn beschreven in het "Logboek voor inspectie en onderhoud". De resultaten van elke inspectie door een deskundige moeten worden genoteerd op kopieën van het "Inspectie- en onderhoudslogboek".
- 1.7 NA EEN VAL:** Als de verankeringsconnector wordt blootgesteld aan de krachten om een val te stoppen, moet deze onmiddellijk buiten gebruik worden genomen, duidelijk gemarkeerd met "NIET GEBRUIKEN" en vervolgens worden vernietigd.

## 2.0 SYSTEEMVEREISTEN

- 2.1 VERANKERING:** Verankeringsvereisten variëren afhankelijk van de toepassing van de valbeveiliging. Constructie waarop de verankeringsconnector wordt geplaatst of gemonteerd, moet voldoen aan de verankeringspecificaties die in Tabel 1 staan.
- 2.2 PERSOONLIJK VALSTOPSYSTEEM:** Figuur 1 illustreert de toepassing van deze verankeringsconnector. Persoonlijke systemen voor valbescherming (PFAS) die worden gebruikt in combinatie met het systeem moeten voldoen aan de geldende normen, codes en vereisten voor valbescherming. De PFAS moet zijn voorzien van een volledig lichaamsharnas en de valstopkracht beperken tot de volgende waarden:

	Maximale valstopkracht	Vrije val
PFAS met schokdempende lijnen	6 kN (1.350 lb)	Raadpleeg de instructie(s) bij uw lijn of SRD voor beperkingen van de vrije val.
PFAS met automatisch blokkerend valstopsysteem (SRD)	6 kN (1.350 lb)	

- 2.3 VALPAD EN BLOKKEERSNELHEID VAN VALSTOPAPPARAAT:** Om positieve vergrendeling van een valstopapparaat te garanderen, is een vrij valpad nodig. Situaties waarin geen vrij valpad is, dienen vermeden te worden. Wanneer er gewerkt wordt in besloten of nauwe ruimten, is het mogelijk dat het lichaam tijdens een val niet voldoende snelheid kan bereiken om de vergrendeling van het valstopapparaat bij een val te activeren. Wanneer er gewerkt wordt op zich langzaam verplaatsende materialen, zoals zand of korrelig materiaal, wordt er wellicht onvoldoende snelheid gemaakt om de vergrendeling van het valstopapparaat te activeren.
- 2.4 GEVAREN:** Gebruik van deze apparatuur in gebieden met gevaren voor het milieu kunnen aanvullende voorzorgsmaatregelen vereisen om de mogelijkheid van letsel voor de gebruiker of beschadiging aan de apparatuur te voorkomen. Gevaren kunnen bestaan uit, maar zijn niet beperkt tot: hitte, bijtende chemicaliën, corrosieve omgevingen, hoogspanningsleidingen, explosieve of giftige gassen, bewegende machines, scherpe randen en bovenhoofds materiaal dat kan vallen en de gebruiker of het persoonlijke valstopsysteem kan raken.

**1 Valstopsysteem:** Een verzameling valbeveiligingsapparatuur die is geconfigureerd om een val te stoppen.

**2 Valbeperkingssysteem:** Een verzameling valbeveiligingsapparatuur die is geconfigureerd om te voorkomen dat het zwaartepunt van de persoon een valgevaar bereikt.

**3 Deskundige:** Een persoon die in staat is om bestaande en voorspelbare gevaren in de werkomgeving of -omstandigheden te identificeren die onhygiënisch, gevaarlijk of riskant zijn voor werknemers, en die bevoegd is om direct corrigerende acties te ondernemen om deze te elimineren.

**4 Bevoegd persoon:** Ten behoeve van de Z359-normen, een persoon die door de werkgever aangewezen is om werk uit te voeren op een locatie waar de persoon blootgesteld wordt aan een valgevaar.

**5 Redder:** Een andere persoon of andere personen dan de te redden persoon, die optreedt of optreden om een geassisteerde redding uit te voeren door middel van een reddingssysteem.

**6 Regelmaat van inspectie:** Extreme werkomstandigheden (moeilijke omgevingen, langdurig gebruik, enz.) kunnen vereisen dat de frequentie van inspecties door deskundigen wordt opgevoerd.

- 2.5 VRIJE VALRUIMTE:** Afbeelding 3 toont de onderdelen van een valstopsysteem. Er moet voldoende valspeling (Fall Clearance - FC) zijn om een val op te vangen voordat een gebruiker in aanraking komt met de grond of enig ander obstakel. Valspeling wordt beïnvloed door meerdere factoren, waaronder: Locatie van verankering, (A) Draagriemlengte, (B) Draagriem-afremafstand of SRD-maximale afstelafstand, (C) Harnas Stretch- en D-ring / connectorlengte en afwikkeling. Raadpleeg de instructies van uw valstopsystemen voor specifieke informatie over het berekenen van de valspeling.
- 2.6 ZWENKVALLLEN:** Zwenkvallen ontstaan wanneer het verankeringspunt niet recht boven het punt ligt waar de val optreedt (zie afbeelding 4). De kracht waarmee tegen een voorwerp wordt gestoten bij scheef vallen, kan ernstig letsel of de dood veroorzaken. Minimaliseer zwenkvallen door zo recht mogelijk onder het ankerpunt te werken. Vermijd scheef vallen als er letsel kan ontstaan. Zwenkvallen verhogen de vereiste valspeling aanzienlijk als er een zelfintrekbaar apparaat of ander verbonden subsysteem met variabele lengte gebruikt wordt.
- 2.7 COMPATIBILITEIT VAN ONDERDELEN:** 3M-apparatuur is ontworpen voor gebruik met alleen door 3M goedgekeurde onderdelen en subsystemen. Substituties of vervangingen door niet-goedgekeurde onderdelen of subsystemen kunnen de compatibiliteit van apparatuur in gevaar brengen en kunnen de veiligheid en betrouwbaarheid van het volledige systeem beïnvloeden.
- 2.8 COMPATIBILITEIT VAN CONNECTOREN:** Connectors worden als compatibel met verbindende elementen beschouwd wanneer deze zijn ontwikkeld om op een dusdanige manier samen te werken dat de maten en vormen, ongeacht hun oriëntatie, geen onbedoeld opengaan van snappermechanismen veroorzaken. Neem contact op met 3M als u vragen hebt over compatibiliteit.
- Connectoren moeten voldoen aan EN 362. Connectors moeten compatibel zijn met de verankering of andere systeemcomponenten. Gebruik geen apparatuur die niet compatibel is. Verbindingen die niet compatibel zijn, kunnen onbedoeld losraken (zie Afbeelding 5). Connectors moeten compatibel zijn qua grootte, vorm en sterkte. Als het verbindingselement waaraan de karabijnhaak (als op de afbeeldingen) of karabiner bevestigd wordt, te klein of onregelmatig van vorm is, kan er een situatie optreden waarbij het verbindingselement kracht uitoefent op de opening van de karabijnhaak of karabiner (A). Door deze kracht kan de opening (B) opengaan, waardoor de karabijnhaak of karabiner kan losraken van het verbindingspunt (C).
- 2.9 VERBINDINGEN MAKEN:** Er mogen alleen zelfvergrendelende karabijnhaken en karabiners met deze apparatuur gebruikt worden. Zorg ervoor dat de verbindingen qua grootte, vorm en sterkte bij elkaar passen. Gebruik geen apparatuur die niet compatibel is. Controleer of alle verbindingen volledig gesloten en vergrendeld zijn.
- 3M-connectors (musketonhaken en karabiners) zijn ontworpen om alleen gebruikt te worden zoals in de gebruikersinstructies van elk product vermeld staat. Zie Afbeelding 6 voor onjuiste verbindingen. Verbind karabijnhaken of karabiners niet:
- Aan een D-ring waaraan al een andere verbinding bevestigd is.
  - Op een manier waardoor er een belasting op de gate komt te staan. Karabijnhaken met een grote halsopening mogen niet worden verbonden met standaardformaat D-ringen of vergelijkbare voorwerpen. Dit resulteert in een belasting van de snapper als de haak of D-ring (rond)draait, tenzij de karabijnhaak voorzien is van een snapper die geschikt is voor 16 kN. Controleer de markering op uw musketonhaak en ga na of deze geschikt is voor uw toepassing.
  - Bij een onjuiste aankoppeling, waarbij onderdelen die uitsteken buiten de nok van de karabijnhaak of karabiner op de D-ring haken en zonder visuele bevestiging volledig aangekoppeld lijken te zijn aan het verankeringspunt.
  - Aan elkaar.
  - Direct aan singelband of touwlijn of tie-back (tenzij de instructies van de fabrikant een dergelijke verbinding voor zowel de lijn als de connector specifiek toestaan).
  - Aan elk object dat een zodanige vorm of dimensie heeft dat de karabijnhaak of karabiner niet dicht en op slot kan gaan, of daar waar uitrollen kan optreden.
  - Op een manier die de connector onder belasting geen correcte positie laat innemen.

### 3.0 INSTALLATIE

De installatie van het anker voor de DBI-SALA-glijstang moet worden gecontroleerd door een bevoegde persoon<sup>1</sup>. De installatie dient te worden gecertificeerd door een gekwalificeerde persoon<sup>2</sup> die aangeeft dat voldaan wordt aan de criteria voor een Gecertificeerde Verankering, of dat het systeem in staat is om de potentiële krachten die teweeg zouden kunnen worden gebracht tijdens een val op te vangen.

**3.1 PLANNING:** Plan uw valbeveiligingssysteem voordat u de valstop voor de glijstang plaatst. Let op alle zaken die uw veiligheid kunnen beïnvloeden vóór, gedurende en na afloop van een val. Neem alle eisen, beperkingen en specificaties die in Sectie 2 en Tabel 1 zijn gedefinieerd in beschouwing.

**Eindstops:** Eindstops, die voldoen aan de vereisten voor valstopkracht van tabel 1, moeten aan beide uiteinden van de stang aanwezig zijn. Als de stang schuin of verticaal staat, moet de valstop van de glijstang zich naast de onderste eindstop bevinden, om te voorkomen dat de valstop van de glijstang tijdens een val beweegt.

**3.2 DE VALSTOP VOOR DE GLIJSTANG AANBRENGEN DE VALSTOP VOOR DE GLIJSTANG KAN WORDEN GEÏNSTALLEERD OP STANGEN DIE VOLDOEN AAN DE VERANKERINGSVEREISTEN IN TABEL 1. ZIE AFBEELDING 1 VOOR DE TOELAATBARE BREEDTE VAN DE STANGFLENS (A) EN DIKTE (B) VOOR ELK MODEL VALSTOP VOOR DE GLIJSTANG. DE VALSTOP VOOR DE GLIJSTANG KAN WORDEN GEMONTEERD OP DE BOVENKANT (A), AAN DE ONDERKANT (B) OF AAN DE ZIJKANT (C OF D) OP DE STANG (ZIE AFBEELDING 7). AFBEELDING 8 ILLUSTREREET DE INSTALLATIE VAN DE VALSTOP VOOR DE GLIJSTANG. DOE HET VOLGENDE OM DE VALSTOP VOOR DE GLIJSTANG TE INSTALLEREN:**

1. Druk op elke eindhaak op de tabvergrendeling, pas de eindhaken aan zodat ze over de stangflens passen met de connectoring gecentreerd tussen de eindhaken en laat vervolgens de tabvergrendeling los.
2. Plaats de valstop voor de glijstang op de stangflens met de connectoring in het midden op de stang. Schuif de eindhaken naar binnen tot ze vast op de stangflens liggen.
3. Verplaats de eindhaken met de tabvergrendeling in vergrendelde positie enigszins naar binnen of naar buiten om te zorgen dat de vergrendelpallen volledig in contact zijn met de staaftanden.

**Speling van de eindhaak:** De totale speling tussen de eindhaken en de stangflens mag niet groter zijn dan 14,3 mm. Zie Afbeelding 1.

4. Inspecteer uw installatie om te controleren of de valstop van de glijstang op geen enkel punt langs de beoogde bewegingsbaan of aan de verbindingen of uiteinden van de stang kan komen. Verbindingen tussen stangdelen moeten gelijk zijn met een maximale tussenruimte van 12,7 mm.

### 4.0 GEBRUIK

**4.1 VOORAFGAAND AAN ELK GEBRUIK:** Zorg ervoor dat uw werkgebied en persoonlijk systeem voor valbescherming (PFAS) voldoet aan alle criteria zoals gedefinieerd in Sectie 2 en dat er een formeel reddingsplan aanwezig is. Inspecteer de valstop voor de glijstang volgens de inspectiepunten van de 'gebruiker' die gedefinieerd staan in het 'inspectie- en onderhoudslogboek' (Tabel 2). Gebruik het systeem niet indien inspectie een onveilige of defecte conditie aantoonst. Stel het systeem buiten gebruik en vernietig het, of neem contact op met 3M aangaande de vervanging of reparatie van het systeem.

**4.2 VALSTOPVERBINDINGEN:** De valstop voor de glijstang wordt gebruikt met een volledig lichaamsharnas en energieabsorberende draagriem of Self-Retracting Device (SRD - zelfoprollend apparaat). Afbeelding 9 illustreert de verbinding van de draagriem (A) of SRD (B) tussen het harnas en de valstop voor de glijstang. Verbind de draagriem of SRD tussen de D-ring op de valstop voor de glijstang en de D-ring aan de achterkant op het harnas, zoals aangegeven in de instructies bij de draagriem of SRD.

### 5.0 INSPECTIE

**5.1 INSPECTIEFREQUENTIE:** De valstop voor de glijstang moet worden geïnspecteerd op intervallen die Hoofdstuk 1 vermeld staan. De inspectieprocedures zijn beschreven in het "Logboek voor inspectie en onderhoud" (tabel 2). Inspecteer alle overige onderdelen van het valstopstelsel volgens de frequenties en procedures zoals beschreven in betreffende instructies van de fabrikant.

Extreme werkomstandigheden (ruige omgeving, langdurig gebruik, enz.) kunnen een verhoogde frequentie van inspecties vereisen.

Valstoppen voor glijstangen zijn voorzien van een Radio Frequentie Identificatie (RFID)-tag. De RFID-tag kan worden gebruikt samen met de in de hand gehouden draagbare lezer, om de inspectie en voorraadcontrole te vereenvoudigen. Ook wordt er een dossier aangelegd over uw valbeveiligingsuitrusting.

**1 Deskundige:** Een persoon die in staat is om bestaande en voorspelbare gevaren in de werkomgeving of -omstandigheden te identificeren die onhygiënisch, gevaarlijk of riskant zijn voor werknemers, en die bevoegd is om direct corrigerende acties te ondernemen om deze te elimineren.

**2 Gekwalificeerd persoon:** Een persoon met een erkende graad of een professioneel certificaat en uitgebreide ervaring op het gebied van valbeveiliging. Deze persoon moet in staat zijn tot het ontwerpen, analyseren, evalueren en specificeren van producten op het gebied van valbeveiliging.

**5.2 DEFECTEN:** Als de inspectie een onveilige of defecte staat onthult, moet u de valstop voor de glijstang onmiddellijk buiten gebruik stellen en contact opnemen met 3M over vervanging of reparatie. Probeer het valstopsysteem niet te repareren.

**Het systeem mag alleen door een geautoriseerd persoon gerepareerd worden:** Alleen 3M of partners die hiervoor schriftelijk zijn geautoriseerd, mogen deze apparatuur repareren.

**5.3 LEVENSDUUR PRODUCT:** Het functionele leven van het valstopsysteem wordt bepaald door werkomstandigheden en onderhoud. Zolang het product bij inspectie aan de criteria voldoet, kan het in gebruik blijven.

## 6.0 ONDERHOUD, BEHANDELING EN OPSLAG

**6.1 SCHOONMAKEN:** Maak de metalen onderdelen van de valstop voor de glijstang regelmatig schoon met een zachte borstel, warm water en een milde zeepoplossing. Zorg ervoor dat de onderdelen grondig worden gespoeld met schoon water.

**6.2 VERWIJDEREN EN PLAATSEN VAN SLIJTPLATEN:** De slijtplaten zijn de enige onderdelen van de valstop voor de glijstang die door de gebruiker kunnen worden onderhouden. Afbeelding 10 illustreert de vervanging van de slijtplaten. Als inspectie gebarsten of versleten platen aan het licht brengt, voer dan de volgende stappen uit om de oude platen te verwijderen en ter vervanging de nieuwe platen te installeren.

1. Steek een platte schroevendraaier tussen de bovenkant van de kunststof slijtplaat en de eindklem.
2. Schuif de schroevendraaier naar de voorkant van de slijtplaat en wrik het uiteinde naar buiten. Steek een platte schroevendraaier tussen de onderkant van de kunststof slijtplaat en de eindklem. Schuif de schroevendraaier naar de voorkant van de slijtplaat en wrik het uiteinde naar buiten.
3. Wrik de onderkant van de slijtplaat los en verwijder deze uit de eindklem. Gooi de oude slijtplaat op milieuverantwoorde wijze weg.
4. Schuif de nieuwe slijtplaat in de eindklem. Oefen druk uit om de nieuwe slijtplaat op zijn plaats te klikken.

**6.3 ONDERHOUD:** Alleen 3M of partners die hiervoor schriftelijk zijn geautoriseerd, mogen deze apparatuur repareren. Als de valstop voor de glijstang is blootgesteld aan de kracht die bij het vallen vrijkomt, moet het onmiddellijk buiten gebruik worden gesteld, duidelijk worden gemarkeerd met "NIET GEBRUIKEN" en vervolgens worden vernietigd. Als inspectie onveilige of defecte omstandigheden aan het licht brengt, verwijder dan het systeem en neem contact op met 3M over vervanging of reparatie.

**6.4 OPSLAG EN TRANSPORT:** Bewaar en transporteer de valstop voor de glijstang en de bijbehorende valbeveiligingsapparatuur in een koele, droge en schone omgeving en uit de buurt van direct zonlicht wanneer deze niet wordt gebruikt. Vermijd plekken waar chemische dampen kunnen voorkomen. Inspecteer de onderdelen grondig na een langdurige opslag.

## 7.0 LABELS

Afbeelding 11 illustreert labels op de valstop voor de glijstang. Labels moeten worden vervangen wanneer ze niet volledig leesbaar zijn. Elk label bevat de volgende informatie:

A	RFID-label
B	<p>Waarschuwingsetiket:</p> <p>1) Inspecteer de valstop voor de glijstang. 2) Niet repareren. Onderhoud aan dit product mag alleen worden uitgevoerd door een erkend servicecentrum. 3) Temperatuurbereik -40 ° C - + 60 ° C. 4) Aanvaardbare installatielocaties en werkbereiken. Installeer alleen op verticale en horizontale stangen met eindstops. 10) Bewaar valstopapparaten voor glijstangen in een koele, droge, schone omgeving, uit de buurt van direct zonlicht. 6) De etiketten van de valstop voor de glijstang niet verwijderen. 7a) Niet gebruiken op stangen zonder eindstops. 7b) Correcte installatie op stangen met eindstops. 8a) Installeer op constructies met een classificatie van 12 kN of meer. 8b) Niet gebruiken op constructies van minder dan 12 kN. 9) Niet gebruiken op schuine stangen.</p>
C	<p>10) Lees de productinstructies. 11) Maximale capaciteit 140 kg. 12) ID aangemelde instantie. 13) Jaar en maand van productie. 14) Partijnummer. 15) Modelnummer. 16) Aanvaardbare installatielocaties en werkbereiken. Installeer op constructies met een classificatie van 12 kN of meer. 17) Inspectielogboek. 18) Inspectiedatum. 19) Initialen van de inspecteur. 20) Modelnummer van de valstop voor de glijstang, toegestane breedte van stangflens en toegestane diktes van de stangflens.</p>

**Tabel 2 – Inspectie- en onderhoudslogboek**

Inspectiedatum:		Geïnspecteerd door:	
Componenten:	Inspectie: (Zie sectie 1 voor inspectiefrequentie)	Gebruiker	Deskundig persoon <sup>1</sup>
Valstop voor glijstang (Afbeelding 2)	Inspecteer de schade van de valstop voor de glijstang: Let op scheuren en breuken, deuken, of vervormingen.	<input type="checkbox"/>	<input type="checkbox"/>
	Inspecteer op verbuigingen of slijtage van de steunbuis (A), de connectoring (B), de beugel van de connectoring, de haakuiteinden (C) en de tabsloten (D).	<input type="checkbox"/>	<input type="checkbox"/>
	Inspecteer op ontbrekende onderdelen (eindklinknagels, centreerschroef, enz.).	<input type="checkbox"/>	<input type="checkbox"/>
	Inspecteer het gehele apparaat op tekenen van roest.	<input type="checkbox"/>	<input type="checkbox"/>
	Inspecteer de slijtplaten om ervoor te zorgen dat ze niet zijn versleten tot een punt waarop de haakuiteinden in direct contact staan met de balkflens. Vervang versleten of gebarsten slijtplaten. (Zie Verwijderen en installeren van slijtplaten)	<input type="checkbox"/>	<input type="checkbox"/>
	Inspecteer de tanden van de steunbalk (A) op slijtage of beschadiging. Zorg ervoor dat de vergrendelpal bij het loslaten van de tabsloten (D) bij het losmaken van de lip automatisch volledig in contact komt met elke tand.	<input type="checkbox"/>	<input type="checkbox"/>
	Zorg ervoor dat de tabsloten (D) vrij kunnen bewegen, volledig terugveren en automatisch in de tanden van de steunstang (A) grijpen.	<input type="checkbox"/>	<input type="checkbox"/>
Labels (Afbeelding 11)	Controleer of alle labels aanwezig, veilig bevestigd en leesbaar zijn (zie 'Labels')	<input type="checkbox"/>	<input type="checkbox"/>
PFAS en andere apparatuur	Aanvullende persoonlijke valstopsysteemapparatuur (Personal Fall Arrest System (PFAS) (harnas, SRL, enz.) die met het verankeringssysteem wordt gebruikt, moet volgens de instructies van de fabrikant worden geïnstalleerd en geïnspecteerd.	<input type="checkbox"/>	<input type="checkbox"/>
<b>Serienummer(s):</b>		<b>Aankoopdatum:</b>	
<b>Modelnummer:</b>		<b>Datum van eerste gebruik:</b>	
<b>Oplossing/Onderhoud:</b>		Goedgekeurd door:	
		Datum:	
<b>Oplossing/Onderhoud:</b>		Goedgekeurd door:	
		Datum:	
<b>Oplossing/Onderhoud:</b>		Goedgekeurd door:	
		Datum:	
<b>Oplossing/Onderhoud:</b>		Goedgekeurd door:	
		Datum:	
<b>Oplossing/Onderhoud:</b>		Goedgekeurd door:	
		Datum:	
<b>Oplossing/Onderhoud:</b>		Goedgekeurd door:	
		Datum:	
<b>Oplossing/Onderhoud:</b>		Goedgekeurd door:	
		Datum:	
<b>Oplossing/Onderhoud:</b>		Goedgekeurd door:	
		Datum:	
<b>Oplossing/Onderhoud:</b>		Goedgekeurd door:	
		Datum:	
<b>Oplossing/Onderhoud:</b>		Goedgekeurd door:	
		Datum:	

**1 Deskundige:** Een persoon die in staat is om bestaande en voorspelbare gevaren in de werkomgeving of -omstandigheden te identificeren die onhygiënisch, gevaarlijk of riskant zijn voor werknemers, en die bevoegd is om direct corrigerende acties te ondernemen om deze te elimineren.



## SIKKERHETSINFORMASJON

Les, forstå og følg all sikkerhetsinformasjon i disse instruksjonene før du tar dette ankringskoblingspunktet i bruk. **UNNLATELSE AV Å GJØRE DETTE KAN FØRE TIL ALVORLIG SKADE ELLER DØD.**

Disse instruksjonene må gis til brukeren av utstyret. Ta vare på disse instruksjonene for fremtidig referanse.

### Tilsiktet bruk:

Dette ankringskoblingspunktet er beregnet for bruk som del av et komplett personlig fallsikringssystem.

Bruk i en hvilken som helst annen sammenheng inkludert, men ikke begrenset til, materialhåndtering, fritidsbruk eller idrettsrelaterte aktiviteter, eller andre aktiviteter som ikke beskrives i Brukerinstruksjonene, er ikke godkjent av 3M og kan resultere i alvorlig personskade eller død.

Denne innretningen skal bare brukes av opplærte brukere i arbeidsplassanvendelser.

## ADVARSEL

Dette ankringskoblingspunktet er del av et personlig fallsikringssystem. Det forventes at alle brukere er fullt opplært i sikker installering og betjening av deres personlige fallsikringssystem. **Misbruk av denne innretningen kan resultere i alvorlig personskade eller død.** For riktig utvalgelse, betjening, installering, vedlikehold og service, se disse bruksanvisningene, inkludert alle produsentens anbefalinger, snakk med din arbeidsleder, eller kontakt 3M Tekniske tjenester.

- **For å redusere risikoen som er forbundet med å arbeide med et ankringskoblingspunkt som, om det ikke unngås, kan resultere i alvorlig personskade eller død:**
  - Inspiser innretningen før hver bruk, minst én gang årlig, og etter enhver fallhendelse. Inspiser i samsvar med bruksanvisningene.
  - Hvis inspeksjonen avdekker en utrygg eller defekt tilstand, må enheten tas ut av tjeneste og du må ta kontakt med et autorisert servicesenter for å få den reparert.
  - Enhver innretning som er blitt belastet som følge av fall eller støtkrefter, må umiddelbart tas ut av bruk og destrueres.
  - Innretningen må bare installeres i de spesifiserte underlag eller på strukturer som er angitt i brukerinstruksjonene. Installeringer og bruk utenfor rammen av instruksjonene må godkjennes av 3M Fallsikring.
  - Underlaget eller strukturen forankringskoblingen er festet til må være i stand til å motstå de statiske belastningene som spesifiseres for ankeret i orienteringene som er tillatt i Brukerinstruksjonene.
  - Fallsikringsundersystemene må bare kobles til det angitte ankringskoblingspunkt på innretningen.
  - Før boring eller fastgjøring, se til at ingen elektriske ledninger, gassledninger eller andre kritiske innebygde systemer vil komme i kontakt med boret eller innretningen.
  - Sørg for at fallsikringssystemer/undersystemer som er satt sammen av komponenter fremstilt av forskjellige produsenter er kompatible og oppfyller kravene i gjeldende standarder, inkludert ANSI Z359 eller andre gjeldende fallsikringsnormer, standarder eller krav. Rådfør deg alltid med en kompetent eller kvalifisert person før du bruker disse systemene.
  - løsnadapter-innretningen
- **For å redusere risikoen som er forbundet med arbeid i høyden, som om det ikke unngås, kan resultere i alvorlig personskade eller død:**
  - Sørg for at din helse og fysiske tilstand gjør det mulig for deg sikkert å motstå alle de krefter som er forbundet med arbeid i høyden. Rådfør deg med legen din hvis du har noen spørsmål angående din evne til å bruke dette utstyret.
  - Du må aldri overskride tillatt kapasitet for ditt fallsikringsutstyr.
  - Du må aldri overskride maksimal frifallavstand for ditt fallsikringsutstyr.
  - Ikke bruk noe fallsikringsutstyr som ikke består inspeksjoner før bruk eller andre planmessige inspeksjoner, eller dersom du har bekymringer om bruken, eller om hvor egnet utstyret kan være for ditt bruksområde. Kontakt 3M Tekniske tjenester med eventuelle spørsmål.
  - Noen delsystemer og delekombinasjoner kan hindre bruken av dette utstyret. Bruk kun kompatible koblinger. Kontakt 3M dersom dette utstyret blir brukt sammen med andre komponenter eller delsystemer enn de som beskrives i brukerinstruksjonene.
  - Utvis ekstra forsiktighet når du arbeider rundt bevegelig maskineri (f.eks. rotasjonssystemet for oljerigger), elektriske farer, ekstreme temperaturer, kjemiske farer, eksplosive eller giftige gasser, skarpe kanter, eller nedenfor overhengende materialer som kan falle ned på deg eller ditt fallsikringsutstyr.
  - Bruk lysbueflamme eller Hot Works-innretninger når du arbeider i miljøer med høy varme.
  - Unngå overflater og gjenstander som kan skade brukeren eller utstyret.
  - Sørg for at det er tilstrekkelig fallklaring når du arbeider i høyden.
  - Du må aldri modifisere eller endre på ditt fallsikringsutstyr. Bare 3M eller virksomheter med skriftlig godkjenning kan reparere dette utstyret.
  - Før bruk av fallsikringsutstyr, pass på at det finnes en redningsplan som muliggjør rask redning hvis et falluhell skulle inntreffe.
  - Hvis et falluhell inntreffer, søk umiddelbart medisinsk hjelp for den arbeideren som har falt.
  - Ikke bruk støttebelter til fallstoppbruk. Bruk kun en helkroppssele.
  - Minimer svingfall ved å arbeide så rett under forankringspunktet som mulig.
  - Hvis du trener med denne innretningen, må et sekundært fallsikringssystem benyttes på en slik måte at det ikke eksponerer lærlingen for en utilsiktet fallfare.
  - Ha alltid på hensiktsmessig personlig verneutstyr når du installerer, bruker eller inspiserer innretningen/systemet.



Før installasjon og bruk av dette utstyret registrer produktidentifikasjonen fra ID-merket i inspeksjons- og vedlikeholdsloggen (tabell 2) på baksiden av denne veiledningen.

## PRODUKTBEKRIVELSE:

Figur 1 illustrerer det 3M™ DBI-SALA™ glidende bjelkefestet. Det glidende bjelkefestet er en enkeltpunktforankringstilkobling for et personlig fallsikringssystem eller fallbegrensningssystem som er utformet for å festes til en bjelke.

Figur 2 illustrerer komponenter av det glidende bjelkefestet. Se tabell 1 for komponentspesifikasjoner. Det glidende bjelkefestet består av en støttestang (A) med hakk med en svingbar tilkoblingsring (B) og justerbare krokender (C) som hektes over hver kant av en bjelkeflens med pinnelåser (D) som går i inngrep med hakkene på støttestangen. Det glidende bjelkefestet glir jevnt langs bjelken på sliteputene (E). En livline eller selvinntrekkende enhet (SRD) er koblet mellom svingetilkoblingsringen på det glidende bjelkefestet og det tilhørende festeelementet på brukerens fullegemesele.

**Tabell 1 – Spesifikasjoner**

Systemspesifikasjoner:		
<b>Kapasitet:</b>	1 person med samlet vekt (klær, verktøy osv.) på ikke mer enn: 140 kg (310 lbs) for EN 795.	
<b>Forankringsstyrke:</b>	Den nødvendige forankringsstyrken avhenger av bruken:  <b>Forankringskonstruksjon:</b> Konstruksjonen som forankringstilkobleren monteres til må kunne tåle en kraft i de(n) forventede belastningsretningen(e). Hvert festepunktsted må kunne opprettholde følgende verdier:	
	<b>EN 795</b>	12 kN (2698 lb)
<b>Servicetemperatur</b>	-40 °C (-40 °F) Minimal servicetemperatur	
<b>Forankringstilkoblingsbruddfasthet:</b>	22,3 kN Minimum bruddstyrke	
<b>Dimensjoner:</b>	Se figur 1 for dimensjonene til hver glidende bjelkefestemodell.	
<b>Vekt:</b>	Se figur 1 for vekten til hver glidende bjelkefestemodell.	
Komponentspesifikasjoner:		
Figur 2 Referanse	Komponent	Materialer
Ⓐ	Støttestang	Aluminiumslegering
Ⓑ	Tilkoblingsring	Stållegering
Ⓒ	Krokender	Aluminiumslegering
Ⓓ	Pinnelåser	Stållegering
Ⓔ	Sliteputer	Nylon

## 1.0 PRODUKTETS BRUKSOMRÅDE

- 1.1 FORMÅL:** Forankringstilkoblinger er designet for å gi forankringstilkoblingspunkter for fallsikringssystem<sup>1</sup> eller fallbegrensnings<sup>2</sup>systemer: Begrensning, arbeidsposisjonering, ridning, redning osv.

**Kun fallbeskyttelse:** Forankringstilkoblingen er for tilkobling av fallbeskyttelsesutstyr. Ikke koble løfteutstyr til denne forankringstilkoblingen.

- 1.2 STANDARDER:** Forankringstilkoblingen oppfyller kravene til nasjonale standarder som oppgis på omslaget til denne brukerveiledningen. Hvis dette produktet selges utenfor det opprinnelige destinasjonslandet, må forhandleren stille disse instruksjonene til rådighet på språket i det aktuelle landet der produktet vil bli brukt.
- 1.3 OVERVÅKING:** Bruk av dette utstyret må skje under tilsyn av en kompetent person<sup>3</sup>.
- 1.4 OPPLÆRING:** Dette utstyret er beregnet på å skulle monteres og brukes av personer som har fått opplæring i dets riktige bruksområder. Denne håndboken skal brukes som en del av en ansatts opplæringsprogram som det kreves av CE. Brukeren og montørene av dette utstyret har ansvar for å gjøre seg kjent med disse anvisningene, få opplæring i riktig pleie og bruk av dette utstyret og er klar over bruksegenskaper, bruksbegrensninger og følgene av uriktig bruk av dette utstyret.
- 1.5 REDNINGSPLAN:** Når dette utstyret brukes og undersystemer kobles sammen, må arbeidsgiveren ha en redningsplan og redningsutstyr tilgjengelig, og denne må kommuniseres til brukere, autoriserte personer<sup>4</sup> og redningsmannskaper<sup>5</sup>. Et opplært redningsteam på stedet anbefales. Teammedlemmer skal forsynes med utstyr og teknikker til å utføre en vellykket redning. Det bør gis regelmessig opplæring for å sikre at redningspersonens kunnskaper opprettholdes.
- 1.6 INSPEKSJONSINTERVALLER:** Forankringstilkoblingen skal kontrolleres av brukeren før enhver bruk, i tillegg til en annen kompetent person annen enn brukeren, i intervaller på ikke lenger enn ett år.<sup>6</sup> Prosedyrene for inspeksjon beskrives i «Inspeksjons- og vedlikeholdslogg». Resultatene fra hver inspeksjon utført av kompetent person bør registreres i kopier av «Inspeksjons- og vedlikeholdslogg».
- 1.7 ETTER ET FALL:** Hvis forankringstilkoblingen utsettes for krefter fra en fallsikring, skal den tas ut av bruk umiddelbart og ødelegges, tydelig merkes «IKKE BRUK» og deretter ødelegges.

## 2.0 SYSTEMKRAV

- 2.1 FORANKRING:** Forankringskravene varierer med fallbeskyttelsesbruksområdet. Konstruksjonen der forankringstilkoblingen er plassert eller montert skal oppfylle forankringsspesifikasjonene angitt i tabell 1.
- 2.2 PERSONLIG FALLSIKRINGSSYSTEM:** Figur 1 illustrerer bruken av denne forankringstilkoblingen. Personlige fallsikringssystemer (PFAS) som brukes med systemet, skal oppfylle gjeldende fallbeskyttelsesstandarder, koder og krav. PFAS skal ha en hel kroppssele integrert og begrense sikringskraft til følgende verdier:

	Maksimal sikringskraft	Fritt fall
PFAS med støtabsorberende livline	6 kN (1350 lb)	Se instruksjonen(e) som følger med livlinen din eller SRD for begrensninger på fritt fall.
PFAS med selvinntrekkende enhet (SRD)	6 kN (1350 lb)	

- 2.3 FALLBANE OG SRD-LÅSEHASTIGHET:** For at SRD-en skal låses sikkert, trengs det en fri bane for fallet. Unngå situasjoner som gjør det umulig å ha en hindringsfri fallbane. Arbeid på svært snevre eller trange områder kan føre til at kroppen ikke oppnår tilstrekkelig hastighet til å få SRD-en til å låse seg hvis et fall skulle inntreffe. Arbeid på materialer som flytter seg sakte, for eksempel sand eller grus, kan føre til at hastigheten ikke bygger seg opp raskt nok til at SRD-en låser seg.
- 2.4 FARER:** Bruk av dette utstyret i risikable arbeidsmiljøer kan kreve at det benyttes tilleggssikring for å unngå skade på bruker eller utstyr. Farer kan inkludere, men er ikke begrenset til: varme, kaustiske kjemikalier, etsende omgivelser, høyspenningslinjer, eksplosive eller giftige gasser, maskineri i bevegelse, skarpe kanter eller materialer i høyden som kan falle ned på brukeren eller fallsikringssystemet.
- 2.5 FALLKLARING:** Figur 3 viser komponentene i en fallsikring. Det må være tilstrekkelig klaring under brukeren til å stanse et fall før brukeren treffer bakken eller en annen hindring. Klaringen påvirkes av flere faktorer, inkludert: Forankringssted, (A) livlinelengde, (B) livlinens retardasjonsavstand eller SRD maksimum sikringsavstand, (C) selestrekkning og D-ring-/tilkoblingslengde og synking. Se instruksjonene som følger med fallstopp-delsystemet for detaljer om fallklaringsberegning.
- 2.6 SVINGFALL:** Svingfall oppstår når forankringspunktet ikke er rett over stedet der fallet finner sted (se figur 4). Kraften som oppstår hvis man støter mot en gjenstand, kan medføre alvorlig skade eller død. Minimer svingfall ved å arbeide så rett under forankringspunktet som mulig. Ikke gjør svingfall mulig hvis skade kan oppstå. Svingfall øker vesentlig klaringen som kreves når en automatisk tilbaketrekkbar enhet eller annet tilkoblings-delsystem med variabel lengde brukes.

**1 Fallsikringssystem:** En samling av fallbeskyttelsesutstyr konfigurert til å holde tilbake et fritt fall.

**2 Fallbegrensningsystemer:** En samling av fallbeskyttelsesutstyr som er konfigurert for å hindre at personens tyngdepunkt når en fallfare.

**3 Kompetent person:** En som er i stand til å identifisere eksisterende og mulige farer i omgivelsene eller arbeidsforhold som er uhygieniske, risikable eller farlige for ansatte, og som har autoritet til å utbedre eller eliminere dem.

**4 Autorisert person:** For formålene med Z359-standardene, en person som er utnevnt av arbeidsgiver til å utføre oppgaver på stedet hvor personen vil være utsatt for fallrisiko.

**5 Bergingsarbeider:** En annen person eller andre personer enn den bergede som utfører en assistert bergingsoperasjon ved bruk av et bergingsssystem.

**6 Inspeksjonsintervaller:** Ekstreme arbeidsforhold (vanskelige omgivelser, langvarig bruk osv.) kan gjøre det nødvendig med hyppigere inspeksjoner utført av en kompetent person.

**2.7 KOMPONENTKOMPATIBILITET:** Utstyr fra 3M er kun laget for bruk sammen med komponenter og delsystemer fra 3M. Utskifting eller erstatning med ikke-godkjente komponenter og delsystemer kan påvirke utstyrets kompatibilitet, som kan gå ut over sikkerheten og påliteligheten til hele systemet.

**2.8 KOBLINGSKOMPATIBILITET:** Koblinger anses å være kompatible med koblingselementene når de er konstruert for å virke sammen på en slik måte at størrelse og form ikke får lukkemekanismene til å åpnes utilsiktet, uansett hvordan de posisjoneres. Kontakt 3M hvis du har spørsmål om kompatibilitet.

Tilkoblingene må samsvare med EN 362. Koblingene må være kompatible med forankringen og andre systemkomponenter. Ikke bruk utstyr som ikke er kompatibelt. Ikke-kompatible koblinger kan løsne utilsiktet (se fig. 5). Påse at koblingene er kompatible når det gjelder størrelse, form og styrke. Hvis koblingselementet, som en sikkerhetskrok eller karabinkrok er festet til, er for lite eller har en ujevn form, kan det oppstå en situasjon der koblingselementet overfører kraft på krokens feste (A). Denne kraften kan gjøre at festet åpnes (B), og dermed kan sikkerhetskroken eller karabinkroken løsne fra tilkoblingspunktet (C).

**2.9 LAGE KOBLINGER:** Sikkerhetskrokene og karabinkrokene som brukes med dette utstyret, må være selvlåsende. Påse at koblingene er kompatible i forhold til størrelse, form og styrke. Ikke bruk utstyr som ikke er kompatibelt. Påse at alle koblinger er fullstendig lukket og låst.

3M-koblinger (kroker og karabinkroker) er kun beregnet til bruk slik det er spesifisert i produktets brukerveiledning. Se Figur 6 for eksempler på feilaktige koblinger. Ikke fest låsekroker og karabinkroker

- A. Til D-ring der det er festet en annen kobling.
- B. På en måte som vil føre til belastning på porten. Sikkerhetskroker med stor halskrok skal ikke kobles til D-ringer av standard størrelse eller liknende gjenstander, da dette vil resultere i belastning på krokens feste dersom kroken eller D-ringen vrir seg eller roterer, med mindre karabinkroken er utstyrt med et 16 kN (3600 Ib) feste. Sjekk merking på din sikkerhetskrok for å bekrefte at den er egnet til ditt bruksområde.
- C. I et falskt feste, der elementer som stikker ut fra låsekroken eller karabinkroken tar tak i forankringen, og der manglende visuell bekreftelse gjør at det virker som om kroken har korrekt tak i forankringspunktet.
- D. Til hverandre.
- E. Direkte til stropper eller livliner eller tilbakekobling av tau (med mindre produsentens veiledning for både livlinen og koblingen spesifikt tillater dette).
- F. Til et objekt som er formet eller dimensjonert slik at låsekroken eller karabinkroken ikke vil lukke og låse, eller hvor utrulling kan forekomme.
- G. På en måte som gjør at koblingen ikke er korrekt innrettet under belastning.

### 3.0 MONTERING

*Montering av den DBI-SALA-glidende bjelkeforankringen skal overvåkes av en kvalifisert person<sup>1</sup>. Montering må sertifiseres av en kvalifisert person<sup>2</sup> som oppfyller kriteriene for en sertifisert forankring, eller som er i stand til å støtte de potensielle kreftene som kan oppleves under et fall.*

- 3.1 PLANLEGGING:** Planlegg fallbeskyttelsessystemet før montering av den glidende bjelkeforankringen. Vurder faktorer som kan påvirke sikkerheten din før, under og etter et fall. Ta hensyn til alle krav, begrensninger og spesifikasjoner som defineres i del 2 og tabell 1.

***Endestoppere:** Endestoppere, som oppfyller kravene til forankringsstyrke i tabell 1, må være til stede i begge ender av bjelken. Hvis bjelken er skrå eller vertikal, må glidebjelkeforankringen være ved siden av det nedre endestoppet for å hindre at glidebjelkeforankringen beveger seg i et fall.*

- 3.2 INSTALLERING AV GLIDEBJELKEFORANKRINGEN:** Den glidende bjelkeforankringen kan installeres på bjelker som oppfyller forankringskravene angitt i tabell 1. Se figur 1 for den tillatte bjelkeflensbredden (A) og tykkelsen (B) for hver glidende bjelkeforankringsmodell. Den glidende bjelkeforankringen kan være toppmontert (A), bunnmontert (B) eller sidemontert (C eller D) på bjelken (se figur 7). Figur 8 illustrerer montering av den glidende bjelkeforankringen. For å installere den glidende bjelkeforankringen:

1. Trykk på pinnelåsutløsningen på hver endekrok, juster endekrokene slik at de passer over bjelkeflensen med tilkoblingsringen midt mellom endekrokene, og slipp deretter pinnelåsutløsningen.
2. Plasser den glidende bjelkeforankringen på bjelkeflensen med tilkoblingsringen sentrert på bjelken. Skyv endekrokene innover til de er stramme på bjelkeflensen.
3. Med pinnelåsene i låst stilling, flytt endekrokene litt innover eller utover for å sikre at låsepalene er helt i inngrep med stangtennene.

***Endekrokmellomrom:** Samlet mellomrom mellom endekrokene og bjelkeflensen må ikke være større enn 14,3 mm (9/16 tommer). Se figur 1.*

4. Kontroller monteringen for å være sikker på at den glidende bjelkeforankringen ikke kan komme av bjelken på noe punkt langs den planlagte bevegelsesbanen eller ved bjelkeskjøter eller ved endene. Ledd mellom bjelkeseksjoner må være i flukt med et maksimalt mellomrom på 12,7 mm (1/2 tomme).

### 4.0 BRUK

- 4.1 FØR HVER BRUK:** Verifiser at arbeidsområdet og det personlige fallsikringssystemet (PFAS) oppfyller alle kriteriene som er definert i del 2 og at det finnes en formell redningsplan. Inspiser den glidende bjelkeforankringen i henhold til «Bruker»-inspeksjonspunkter som er definert i «Inspeksjons- og vedlikeholdsloggen» (tabell 2). Hvis inspeksjon avdekker en utrygg eller defekt tilstand, skal ikke systemet brukes. Ta systemet ut av drift og kontakt 3M Fallsikring vedrørende utskiftning eller reparasjon.

- 4.2 FALLSIKRINGSTILKOBLINGER:** Den glidende bjelkeforankringen brukes med hel kroppssele og energiabsorberende livline eller selvinntrekkende enhet (SRD). Figur 9 illustrerer tilkobling av livlinen (A) eller SRD (B) mellom selen og den glidende bjelkeforankringen. Koble livlinen eller SRD mellom D-ringen på den glidende bjelkeforankringen og den bakre dorsale D-ringen på selen som beskrevet i instruksjonene som følger med livlinen eller SRD.

### 5.0 INSPEKSJON

- 5.1 INSPEKSJONSINTERVALLER:** Det glidende bjelkeforankringen må kontrolleres ved de intervallene som er definert i del 1. Prosedyrene for inspeksjon beskrives i «Inspeksjons- og vedlikeholdslogg» (tabell 2). Kontroller alle andre komponenter i fallbeskyttelsessystemet i henhold til intervaller og prosedyrer angitt i produsentens instruksjoner.

*Ekstreme arbeidsforhold (tøffe miljøer, langvarig bruk, osv.), kan gjøre det nødvendig med hyppigere kontroller.*

*Glidende bjelkeforankringer er utstyrt med en radiofrekvensidentifiseringsetikett (RFID-etikett). RFID-merket kan brukes sammen med den håndholdte avleseren for å forenkle inspeksjon og lagerstyring og for å gjøre registreringer for fallbeskyttelsesutstyret.*

- 5.2 DEFEKTER:** Hvis kontrollen avdekker en utrygg eller defekt tilstand, skal den glidende bjelkeforankringen tas ut av bruk umiddelbart og 3M skal kontaktes om utskiftning eller reparasjon. Ikke prøv å reparere fallsikringssystemet.

***Kun autorisert reparasjon:** Bare 3M eller virksomheter med skriftlig godkjenning kan reparere dette utstyret.*

- 5.3 PRODUKTETS LEVETID:** Den funksjonelle levetiden for fallsikringssystemer avhenger av arbeidstilstander og vedlikehold. Så lenge produktet oppfyller inspeksjonskriteriene, kan det brukes.

**1 Kompetent person:** En som er i stand til å identifisere eksisterende og mulige farer i omgivelsene eller arbeidsforhold som er uhygieniske, risikable eller farlige for ansatte, og som har autoritet til å utbedre eller eliminere dem.

**2 Kvalifisert person:** En person med anerkjent grad eller fagsertifikat, og utstrakt erfaring med fallbeskyttelse. Denne personen må kunne designe, analysere, evaluere og gi spesifikasjoner om fallbeskyttelse.

## 6.0 VEDLIKEHOLD, SERVICE, OPPBEVARING

- 6.1 RENGJØRING:** Rengjør periodevis metallkomponentene i den glidende bjelkeforankringen med en myk børste, varmt vann og mild såpeopløsning. Påse at delene skylles godt med rikelig med rent vann.
- 6.2 FJERNING OG MONTERING AV SLITEPUTE:** Sliteputene er den eneste komponenten i den glidende bjelkeforankringen som kan betjenes av brukeren. Figur 10 illustrerer utskifting av sliteputene. Hvis inspeksjonen avdekker sprukne eller slitte puter, utfør følgende trinn for å fjerne de gamle putene og installere de nye putene.
1. Plasser en flathodet skrutrekker mellom toppen av sliteputen av plast og endeklemmen.
  2. Skyv skrutrekkeren rundt på forsiden av sliteputen og lirk ut enden. Sett inn skrutrekkeren mellom bunnen av sliteputen av plast og endeklemmen. Skyv skrutrekkeren rundt på forsiden av sliteputen og lirk ut enden.
  3. Lirk ut bunnen av sliteputen og fjern den fra endeklemmen. Kast den gamle sliteputen.
  4. Skyv den nye sliteputen i endeklemmen. Påfør press for å feste den nye sliteputen på plass.
- 6.3 SERVICE:** Bare 3M eller virksomheter med skriftlig godkjennelse fra 3M kan reparere dette utstyret. Hvis den glidende bjelkeforankringen har vært utsatt for fallkraft, må det fjernes umiddelbart fra service, tydelig merkes «IKKE BRUK», og deretter ødelegges. Hvis inspeksjon avdekker en utrygg eller defekt tilstand, skal systemet tas ut av bruk og 3M skal kontaktes om utskifting eller reparasjon.
- 6.4 OPPBEVARING OG TRANSPORT:** Når den glidende bjelkeforankringen og tilknyttet fallbeskyttelsesutstyr ikke er i bruk, skal det oppbevares og transporteres på et kjølig, tørt og rent sted, beskyttet mot sollys. Unngå områder der det kan finnes gasser fra kjemikalier. Gjennomfør en grundig inspeksjon av komponenter etter langvarig lagring.

## 7.0 MERKING

Figur 11 illustrerer etiketter på den glidende bjelkeforankringen. Etikettene må skiftes ut hvis de ikke er fullt leselige. Informasjonen på hver etikett er som følger:

Ⓐ	RFID-skilt
Ⓑ	Varsletikett: 1) Kontroller den glidende bjelkeforankringen. 2) Må ikke repareres. Service på dette produktet skal skje ved et autorisert servicesenter. 3) Temperaturområde -40 °C til +60 °C. 4) Godtagbare monteringssteder og arbeidsområder. Bare installer på vertikale og horisontale bjelker med endestoppere. 10) Lagre glidende bjelkeforankringer på et kjølig, tørt og rent sted, utenfor direkte sollys. 6) Ikke fjern etikettene fra den glidende bjelkeforankringen. 7a) Ikke bruk på bjelker uten endestoppere. 7b) Korrekt montering på bjelker med endestoppere. 8a) Installer på konstruksjoner rangert for 12kN eller mer. 8b) Ikke bruk på konstruksjoner rangert for mindre enn 12 kN. 9) Ikke bruk på skrå bjelker.
Ⓒ	10) Les produktinstruksjonene. Maksimal kapasitet er 140 kg. 14) Teknisk kontrollorgan-ID. År og måned for produksjon Partinummer. Modellnumre: 16) Godtagbare monteringssteder og arbeidsområder. Monter på konstruksjoner rangert for 12kN eller mer. Inspeksjonslogg Inspeksjonsdato: 19) Inspektørens initialer. 20) Modellnummeret til den glidende bjelkeforankringen, tillatte bjelkeflensbredder og tillatte bjelkeflenstykkelser.

**Tabell 2 – Inspeksjons- og vedlikeholdslogg**

Inspeksjonsdato:		Inspisert av:	
Komponenter:	Inspeksjon: (Se del 1 for inspeksjonsfrekvens)	Bruker	Kompetent person <sup>1</sup>
Glidende bjelkefeste (figur 2)	Kontroller skaden på det glidende bjelkefestet: Se etter sprekker, hakk eller deformiteter.	<input type="checkbox"/>	<input type="checkbox"/>
	Kontroller for bøyning eller slitasje på støtterøret (A), tilkoblingsringen (B), tilkoblingsringbrakketten, krokender (C) og pinnelåser (D).	<input type="checkbox"/>	<input type="checkbox"/>
	Inspiser for eventuelle manglende deler (endenagler, midtskrue osv.).	<input type="checkbox"/>	<input type="checkbox"/>
	Kontroller hele enheten for korrosjon.	<input type="checkbox"/>	<input type="checkbox"/>
	Kontroller sliteputene for å sikre at de ikke er slitt slik at krokendene er i direkte kontakt med bjelkeflensen. Bytt ut slitte eller sprukne sliteputer. (se fjerning og montering av slitepute)	<input type="checkbox"/>	<input type="checkbox"/>
	Kontroller at tennene på støttestangen(A) ikke er slitt eller skadet. Sikre at sperrehaken går fullt i inngrep med hver tann automatisk ved utløsning fra pinnelåsene (D).	<input type="checkbox"/>	<input type="checkbox"/>
	Kontroller at pinnelåsene (D) fungerer fritt, springer helt tilbake og kobler seg automatisk til tennene til støttestangen (A).	<input type="checkbox"/>	<input type="checkbox"/>
Etiketter (figur 11)	Verifiser at alle etiketter er til stede, sikkert festet og leselige (se «Etiketter»)	<input type="checkbox"/>	<input type="checkbox"/>
PFAS og annet utstyr	Ekstra personlig fallsikringssystem (PFAS)-utstyr (sele, SRD osv.) som brukes sammen med forankringssystemet skal monteres og inspiseres i henhold til produsentens instruksjoner.	<input type="checkbox"/>	<input type="checkbox"/>

Serienummer(-re):	Kjøpsdato:
Modellnummer:	Dato for førstegangsbruk:
<b>Korrigerende handling / vedlikehold:</b>	Godkjent av:
	Dato:
<b>Korrigerende handling / vedlikehold:</b>	Godkjent av:
	Dato:
<b>Korrigerende handling / vedlikehold:</b>	Godkjent av:
	Dato:
<b>Korrigerende handling / vedlikehold:</b>	Godkjent av:
	Dato:
<b>Korrigerende handling / vedlikehold:</b>	Godkjent av:
	Dato:
<b>Korrigerende handling / vedlikehold:</b>	Godkjent av:
	Dato:
<b>Korrigerende handling / vedlikehold:</b>	Godkjent av:
	Dato:
<b>Korrigerende handling / vedlikehold:</b>	Godkjent av:
	Dato:
<b>Korrigerende handling / vedlikehold:</b>	Godkjent av:
	Dato:
<b>Korrigerende handling / vedlikehold:</b>	Godkjent av:
	Dato:
<b>Korrigerende handling / vedlikehold:</b>	Godkjent av:
	Dato:
<b>Korrigerende handling / vedlikehold:</b>	Godkjent av:
	Dato:
<b>Korrigerende handling / vedlikehold:</b>	Godkjent av:
	Dato:

<sup>1</sup> **Kompetent person:** En som er i stand til å identifisere eksisterende og mulige farer i omgivelsene eller arbeidsforhold som er uhygieniske, risikable eller farlige for ansatte, og som har autoritet til å utbedre eller eliminere dem.

## INFORMAÇÕES DE SEGURANÇA

**Certifique-se de que lê, compreende e segue todas as informações de segurança contidas nestas instruções antes de utilizar este Conector de Ancoragem. O INCUMPRIMENTO DESSAS INSTRUÇÕES PODERÁ RESULTAR EM LESÕES GRAVES OU MORTE.**

**Estas instruções têm de ser fornecidas ao utilizador deste equipamento. Guarde estas instruções para referência futura.**

### Uso previsto:

Este Conector de Ancoragem deve ser utilizado como parte de um sistema pessoal completo de proteção antiqueda.

A sua utilização noutras circunstâncias incluindo, sem limitações, atividades de manuseamento de materiais, atividades recreativas ou relacionadas com desporto ou outras atividades não descritas nas Instruções para o utilizador, não é aprovada pela 3M e pode resultar em ferimentos graves ou morte.

Este dispositivo só deve ser utilizado por pessoas que tenham recebido formação no local de trabalho.

### AVISO

Este Conector de Ancoragem é parte de um sistema pessoal completo de proteção antiqueda. Todos os utilizadores devem receber formação quanto à instalação e manuseamento seguros do seu sistema pessoal de proteção antiqueda. **A má utilização deste dispositivo pode resultar em ferimentos graves ou morte.** Para a devida seleção, manuseamento, instalação, manutenção e reparação, consulte estas Instruções para o utilizador e todas as recomendações do fabricante, consulte o seu supervisor ou contacte os serviços técnicos da 3M.

- **Para minimizar os riscos associados à utilização de um Conector de Ancoragem que, caso não evitados, podem resultar em ferimentos graves ou morte:**
  - Inspeccione o dispositivo antes de cada utilização, pelo menos uma vez por ano, e após cada incidente de queda. Inspeccione de acordo com as Instruções para o Utilizador.
  - Se a inspeção revelar uma condição perigosa ou defeito, retire o dispositivo de serviço e repare-o ou substitua-o de acordo com as Instruções para o utilizador.
  - Qualquer dispositivo que tiver sido sujeito a forças de detenção da queda ou de impacto, deve ser imediatamente retirado de serviço e destruído.
  - O dispositivo só deve ser instalado em substratos especificados ou em estruturas detalhadas nas Instruções do Utilizador. As instalações e a utilização fora do âmbito das instruções devem ser aprovadas por escrito pela 3M Fall Protection.
  - O substrato ou a estrutura à qual o conector de ancoragem é fixado deve ser capaz de suportar as cargas estáticas especificadas para a ancoragem nas orientações permitidas nas Instruções para o Utilizador.
  - Apenas conecte subsistemas de proteção antiqueda ao ponto de conexão de ancoragem designado no dispositivo.
  - Antes de perfurar ou fixar, certifique-se de que a broca ou o dispositivo não entrarão em contacto com cabos elétricos, condutas de gás, ou outros sistemas críticos incorporados.
  - Assegure-se de que os sistemas/subsistemas de proteção antiqueda, montados com componentes produzidos por diferentes fabricantes, são compatíveis e satisfazem os requisitos das normas aplicáveis, incluindo a ANSI Z359 ou outros códigos, normas ou requisitos de proteção antiqueda aplicáveis. Consulte sempre uma Pessoa competente ou Qualificada antes de utilizar estes sistemas.
- **Para minimizar os riscos associados à utilização em trabalhos em altura que, caso não evitados, podem resultar em ferimentos graves ou morte:**
  - Certifique-se de que a sua condição física e o seu estado de saúde lhe permitem suportar, com segurança, todas as forças associadas ao trabalho em altura. Consulte um médico caso tenha alguma questão quanto à sua capacidade de utilizar este equipamento.
  - Nunca exceda a capacidade permitida do seu equipamento de proteção antiqueda.
  - Nunca exceda a distância de queda livre máxima do seu equipamento de proteção antiqueda.
  - Não utilize qualquer equipamento de proteção antiqueda que não cumpra os critérios predefinidos ou outras inspeções agendadas ou caso tenha dúvidas quanto à utilização ou adequação do equipamento no seu trabalho. Contacte os serviços técnicos da 3M se tiver dúvidas.
  - Algumas combinações de subsistemas e componentes podem interferir com o funcionamento deste equipamento. Utilize apenas conectores compatíveis. Consulte a 3M quando instalar ou utilizar este equipamento em combinação com componentes ou subsistemas diferentes dos descritos nas Instruções para o utilizador.
  - Tome precauções adicionais ao trabalhar perto de maquinaria em movimento (por exemplo, sistema top drive das plataformas petrolíferas), quanto a perigos elétricos, temperaturas extremas, perigos químicos, gases explosivos ou tóxicos, bermas afiadas ou materiais suspensos que possam cair em cima de si ou do seu equipamento de proteção antiqueda.
  - Utilize equipamentos de proteção contra soldadura por arco elétrico ou materiais inflamáveis ao trabalhar em ambientes de temperatura elevada.
  - Evite superfícies ou objetos que possam causar-lhe ferimentos ou danificar o equipamento.
  - Certifique-se de que existe uma altura livre de queda ao trabalhar em alturas.
  - Nunca modifique ou altere o equipamento de proteção antiqueda. Apenas a 3M ou terceiros com autorização escrita da 3M podem efetuar reparações neste equipamento.
  - Antes de utilizar equipamento de proteção antiqueda, certifique-se de que existe um plano de resgate pronto a ser acionado caso ocorra um incidente de queda.
  - No caso de um incidente de queda, solicite imediatamente ajuda médica para o trabalhador que caiu.
  - Não utilize um cinto de segurança para aplicações de detenção da queda. Utilize apenas um arnés completo de corpo.
  - Minimizar as quedas em pêndulo trabalhando o mais possível diretamente abaixo do ponto de ancoragem.
  - Se o dispositivo for utilizado durante uma formação, deve ser utilizado um sistema de proteção antiqueda secundário para garantir que o formando não fica exposto a perigo de queda.
  - Utilize sempre equipamento de proteção individual adequado durante a instalação, utilização ou inspeção do dispositivo/sistema.



Antes da instalação e utilização deste equipamento, registre os dados de identificação do produto da etiqueta de identificação no Registo de Inspeções e Manutenções (Tabela 2) no verso deste manual.

## DESCRIÇÃO DO PRODUTO:

A Figura 11 ilustra o dispositivo de ancoragem deslizante para vigas 3M™ DBI-SALA™. O dispositivo de ancoragem deslizante para vigas é um conector de ancoragem de ponto simples para um sistema de detenção da queda pessoal ou sistema de retenção de queda pessoal concebido para ser preso a uma viga.

A Figura 2 ilustra os componentes do dispositivo de ancoragem deslizante para vigas. Consulte a Tabela 1 para ver as especificações dos componentes. O dispositivo de ancoragem deslizante para vigas é constituído por uma barra de suporte entalhada (A) com uma argola de conector oscilante (B) e extremidades de gancho reguláveis (C) que se prendem sobre cada aresta da flange da viga com fechos de patilha (D) que se encaixam nos entalhes da barra de suporte. O dispositivo de ancoragem deslizante para vigas desliza suavemente ao longo da viga sobre blocos de desgaste (E). Um cabo de segurança ou SRD é ligado entre a argola de conector oscilante no dispositivo de ancoragem deslizante para vigas e o elemento de fixação apropriado no arnês de corpo inteiro do utilizador.

**Tabela 1 – Especificações**

Especificações do sistema		
<b>Capacidade:</b>	1 pessoa com um peso combinado (vestuário, ferramentas, etc.) máximo de: 140 kg (310 libras) em conformidade com a EN 795.	
<b>Força da ancoragem:</b>	A força de ancoragem necessária depende do tipo de aplicação: <b>Estrutura de ancoragem:</b> A estrutura na qual o conector de ancoragem está montado deve ser capaz de suportar força na(s) direção(ões) prevista(s) de carga. Cada local de ponto de ancoragem tem de ser capaz de sustentar os seguintes valores:	
	<b>EN 795</b>	12 kN (2698 libras)
<b>Temperatura de funcionamento</b>	-40 °C (-40 °F) Temperatura mínima de funcionamento	
<b>Força de rutura do conector de ancoragem:</b>	22 kN (5000 libras) Força de rutura mínima	
<b>Dimensões:</b>	Consulte a Figura 1 para saber as dimensões de cada modelo de dispositivo de ancoragem deslizante para vigas.	
<b>Peso:</b>	Consulte a Figura 1 para saber o peso de cada modelo de dispositivo de ancoragem deslizante para vigas.	
Especificações dos componentes:		
Referência na Figura 2	Componente	Materiais
Ⓐ	Barra de suporte	Liga de alumínio
Ⓑ	Argola do conector	Liga de aço
Ⓒ	Extremidades de gancho	Liga de alumínio
Ⓓ	Fechos de patilha	Liga de aço
Ⓔ	Blocos de desgaste	Nylon

**1 Pessoa qualificada:** Um indivíduo com um grau reconhecido ou certificado profissional e experiência alargada em Proteção contra quedas. Este indivíduo deverá estar apto a desenhar, analisar, avaliar e a fornecer especificações para Proteção contra quedas.

## 1.0 APLICAÇÃO DO PRODUTO

**1.1 FINALIDADE:** Os conectores de ancoragem são concebidos para fornecer pontos de conexão de ancoragem a sistemas de paragem de queda<sup>1</sup> ou de retenção de queda<sup>2</sup>: Retenção, posicionamento no trabalho, condução individual, salvamento, etc.

**Apenas proteção anti-queda:** Este conector de ancoragem destina-se a conexão do equipamento de proteção anti-queda. Não ligue o equipamento de elevação a este conector de ancoragem.

**1.2 NORMAS:** O seu conector de ancoragem está em conformidade com as normas nacionais ou regionais identificadas na capa destas instruções. Se este produto for revendido fora do país de destino original, o revendedor deve fornecer estas instruções na língua do país no qual o produto será usado.

**1.3 SUPERVISÃO:** O uso deste equipamento tem que ser supervisionado por uma Pessoa Competente<sup>3</sup>.

**1.4 FORMAÇÃO:** Este equipamento deve ser instalado e utilizado por pessoas que tenham recebido formação quanto à sua correta aplicação. Este manual deverá ser integrado num programa de formação para funcionários, conforme exigido pela CE. É da responsabilidade do utilizador e do instalador deste equipamento assegurarem que estão familiarizados com estas instruções, que receberam formação sobre o tratamento e utilização corretos deste equipamento e que estão sensibilizados para as características do funcionamento, os limites de aplicação e as consequências da utilização indevida do mesmo.

**1.5 PLANO DE SALVAMENTO:** Quando utilizar este equipamento e subsistemas de ligação, a entidade patronal tem de ter um plano de salvamento e os meios disponíveis para implementar e comunicar esse plano aos utilizadores, pessoas autorizadas<sup>4</sup> e equipas de salvamento<sup>5</sup>. Recomenda-se a presença de uma equipa de salvamento profissional no local. Os membros da equipa devem receber o equipamento e conhecer as técnicas necessárias para realizar um salvamento bem sucedido. A formação deve ser ministrada regularmente para assegurar a competência técnica dos elementos de socorro.

**1.6 FREQUÊNCIA DE INSPEÇÕES:** O Conector de Ancoragem deve ser inspecionado pelo utilizador antes de cada utilização e, adicionalmente, por uma pessoa competente que não o utilizador em intervalos que não ultrapassem um ano.<sup>6</sup> Os procedimentos de inspeção estão descritos no "Registo de inspeções e manutenções". Os resultados de cada inspeção realizada por pessoas competentes devem ser registados em cópias do "Registo de inspeções e manutenções".

**1.7 DEPOIS DE UMA QUEDA:** Se o conector de ancoragem for sujeito a forças de detenção de uma queda, deverá ser retirado imediatamente de serviço, assinalado claramente com "NÃO UTILIZAR" e, em seguida, destruído.

## 2.0 REQUISITOS DO SISTEMA

**2.1 ANCORAGEM:** Os requisitos de ancoragem variam com a aplicação da proteção anti-queda. A estrutura na qual o Conector de Ancoragem é colocado ou montado deve cumprir as especificações de Ancoragem definidas na Tabela 1.

**2.2 SISTEMA PESSOAL DE DETENÇÃO DE QUEDA:** A Figura 1 ilustra a aplicação deste conector de ancoragem. Os Sistemas Pessoais de Proteção Anti-queda (PFAS) usados com o sistema devem cumprir as normas, códigos e requisitos da proteção anti-queda aplicáveis. O PFAS tem de incorporar um arnês de corpo inteiro e limitar a força de detenção até aos seguintes valores:

	Força de máxima paragem	Queda livre
Sistema pessoal de paragem de queda com cabos de segurança amortecedores de impacto	6 kN (1350 libras)	Consulte as instruções incluídas com o seu cabo de segurança ou SRD para saber as limitações de queda livre.
Sistema pessoal de paragem de queda com dispositivo autorretrátil (SRD)	6 kN (1350 libras)	

**2.3 TRAJETÓRIA DA QUEDA E VELOCIDADE DE BLOQUEIO DA SRL:** É necessária uma trajetória desimpedida para assegurar o bloqueio positivo do SRD. Devem ser evitadas as situações que não permitem uma trajetória de queda livre. Trabalhar em espaços confinados ou exíguos pode não permitir que o corpo atinja a velocidade necessária para fazer com que o SRD bloqueie em caso de queda. Trabalhar em material instável, tal como a areia ou grãos, pode não permitir atingir a velocidade necessária para provocar o bloqueio do SRD.

**2.4 RISCOS:** A utilização deste equipamento em áreas com riscos ambientais pode necessitar de precauções acrescidas a fim de evitar lesões no utilizador ou danos no equipamento. Os riscos podem incluir, sem limitação: temperaturas elevadas, produtos químicos, ambientes corrosivos, linhas de alta tensão, gases explosivos ou tóxicos, equipamentos móveis, arestas aguçadas ou materiais localizados acima da cabeça que podem cair e atingir o utilizador ou o sistema de proteção anti-queda.

**1 Sistema de paragem de queda:** Um conjunto de equipamento de proteção anti-queda configurado para parar uma queda livre.

**2 Sistema de retenção de queda:** Um conjunto de equipamento de proteção anti-queda configurado para impedir que o centro de gravidade da pessoa atinja o perigo de queda.

**3 Pessoa competente:** Pessoa capaz de identificar riscos existentes e previsíveis nas proximidades ou condições de trabalho pouco higiénicas, prejudiciais ou perigosas para os funcionários, e que tem autorização para tomar medidas corretivas imediatas para os eliminar.

**4 Pessoa autorizada:** Em conformidade com as normas Z359, pessoa designada pela entidade empregadora para realizar trabalhos numa localização em que a pessoa estará exposta a perigo de queda.

**5 Elemento de salvamento:** Pessoa ou pessoas (sem ser a pessoa a ser socorrida) que procedem a uma ação de salvamento assistido, mediante a utilização de um sistema de salvamento.

**6 Frequência de inspeções:** As condições de trabalho extremas (ambientes rigorosos, utilização prolongada, etc.) podem necessitar de aumentar a frequência das inspeções por pessoas competentes.

- 2.5 ALTURA LIVRE DE QUEDA:** A Figura 3 ilustra os componentes do Sistema de detenção da queda do engate de caminhão. Deve haver espaço livre suficiente para proteção de uma queda antes que o utilizador caia ao chão ou encontre outro obstáculo. O espaço livre é afetado por uma série de fatores, incluindo: Localização da ancoragem, (A) Comprimento do cabo de segurança, (B) distância de desaceleração do cabo de segurança ou distância de detenção máxima do SRD, (C) elasticidade do arnês e comprimento do argola em D/Conector e estabilização. Consulte as instruções incluídas com o seu subsistema de detenção da queda para características específicas em relação a Cálculo da altura livre de queda.
- 2.6 QUEDAS EM OSCILAÇÃO (PÊNDULOS):** As quedas em oscilação ocorrem quando o ponto de ancoragem não está diretamente acima do ponto onde a queda ocorre (consulte a Figura 4). A força de impacto de um objeto numa queda em oscilação pode provocar lesões graves ou morte. Minimizar as quedas em pêndulo trabalhando o mais possível diretamente abaixo do ponto de ancoragem. Não permita uma queda por oscilação se existir a possibilidade de ferimento. As quedas em oscilação irão aumentar significativamente a altura livre necessária quando se utiliza uma corda de segurança retráctil ou outro subsistema de conexão de comprimento variável.
- 2.7 COMPATIBILIDADE DE COMPONENTES:** O equipamento da 3M destina-se ser usado apenas com componentes e subsistemas aprovados pela 3M. As substituições efectuadas com componentes ou subsistemas não aprovados podem comprometer a compatibilidade do equipamento e podem afectar a segurança e fiabilidade de todo o sistema.
- 2.8 COMPATIBILIDADE DE CONECTORES:** Os conectores são considerados compatíveis com elementos de ligação quando são concebidos para trabalhar em conjunto de modo a que os seus tamanhos e formas não provoquem a abertura involuntária dos seus mecanismos de fecho, independentemente da forma como ficam orientados. Contacte a 3M se tiver dúvidas em relação à compatibilidade.
- Os conectores têm de estar em conformidade com a EN 362. Os conectores têm de ser compatíveis com a ancoragem ou com outros componentes do sistema. Não utilize equipamento que não seja compatível. Os conectores incompatíveis podem desprender-se involuntariamente (consulte a Figura 5). Os conectores têm de ser compatíveis em tamanho, forma e resistência. Se o elemento de ligação ao qual se fixa o gancho de engate rápido ou mosquetão for demasiado pequeno ou tiver uma forma irregular, pode ocorrer uma situação no local onde o elemento de ligação aplica uma força à lingueta do gancho de engate rápido ou mosquetão (A). Esta força pode provocar a abertura da lingueta (B), permitindo que o gancho de engate rápido ou mosquetão se solte do ponto de ligação (C).
- 2.9 FAZER AS LIGAÇÕES:** Os ganchos de engate rápido e mosquetões utilizados com este equipamento têm de ser de bloqueio automático. Certifique-se de que todas as ligações são compatíveis em tamanho, forma e resistência. Não utilize equipamento que não seja compatível. Certifique-se de que todos os conectores estão totalmente fechados e bloqueados. Os conectores 3M (ganchos de engate rápido e mosquetões) foram concebidos para serem utilizados apenas como indicado no manual de instruções de cada produto. Consulte a Figura 6 para visualizar exemplos de ligações incorretas. Não ligue ganchos de engate rápido e mosquetões:
- A uma argola em D onde esteja preso outro conector.
  - De forma a provocar uma sobrecarga na lingueta. Os mosquetões de abertura larga não devem ser ligados a argolas em D de tamanho normal ou a objetos idênticos, pois esta situação irá resultar numa carga sobre a lingueta caso o mosquetão ou a argola em D gire ou rode, a não ser que o mosquetão esteja equipado com um trinco para 16 kN (3600 libras). Veja as marcações do seu mosquetão para verificar se é adequado para a sua aplicação.
  - Num encaixe incorreto, onde os componentes que sobressaem do gancho de engate rápido ou mosquetão ficam presos na ancoragem e que, sem confirmação visual, parecem estar totalmente encaixados ao ponto de ancoragem.
  - Entre si.
  - Diretamente à malha de rede ou cabo de tração de corda ou de amarração traseira (a não ser que as instruções do fabricante, para o cabo de tração e conector, autorizem especificamente essa ligação).
  - A qualquer objeto que tenha uma forma ou dimensão que não permita que o gancho de engate ou mosquetão feche ou tranque, ou de modo a que possa ocorrer um deslizamento.
  - De forma a não permitir que o conector fique corretamente alinhado enquanto estiver sujeito a sobrecarga.

### 3.0 INSTALAÇÃO

*A instalação da ancoragem deslizante para vigas DBI-SALA deverá ser supervisionada por uma Pessoa Competente<sup>1</sup>. A instalação deverá ser certificada por uma pessoa qualificada<sup>2</sup> como cumprindo os critérios de uma Ancoragem Certificada, ou como tendo a capacidade de suportar as forças potenciais que podem ocorrer durante uma queda.*

**3.1 PLANEAMENTO:** Planeie o seu sistema de proteção antiqueda antes da instalação do dispositivo de ancoragem deslizante para vigas. Tenha em consideração todos os fatores que podem afetar a sua segurança antes, durante e após uma queda. Tenha em consideração todos os requisitos, limitações e especificações definidos na Secção 2 e na Tabela 1.

**Paragens:** *As paragens, em conformidade com os requisitos de resistência da ancoragem da Tabela 1, têm de estar presentes em ambas as extremidades da viga. Se a viga estiver inclinada ou na vertical, o dispositivo de ancoragem deslizante para vigas tem de estar posicionado a seguir à paragem inferior para impedir que o dispositivo de ancoragem deslizante para vigas se mova numa queda.*

**3.2 INSTALAÇÃO DO DISPOSITIVO DE ANCORAGEM DESLIZANTE PARA VIGAS:** O dispositivo de ancoragem deslizante para vigas pode ser instalado em vigas que cumpram os requisitos de ancoragem especificados na Tabela 1. Consulte a Figura 1 para saber a largura (A) e a espessura (B) permitidas da flange da viga para cada modelo de dispositivo de ancoragem deslizante para vigas. O dispositivo de ancoragem deslizante para vigas pode ser montado na parte superior (A), montado na parte inferior (B) ou montado na parte lateral (C ou D) na viga (consulte a Figura 7). A Figura 8 ilustra a instalação do dispositivo de ancoragem deslizante para vigas. Para instalar o dispositivo de ancoragem deslizante para vigas:

1. Pressione a libertação do fecho de patilha em cada gancho de extremidade, regule os ganchos de extremidade para ficarem ajustados sobre a flange da viga com a argola de conetor centrada entre os ganchos de extremidade e, em seguida, solte a libertação do fecho de patilha.
2. Posicione o dispositivo de ancoragem deslizante para vigas sobre a flange da viga com a argola de conetor centrada na viga. Faça deslizar os ganchos de extremidade para dentro até ficarem presos na flange da viga.
3. Com os fechos de patilha na posição fechada, mova os ganchos de extremidade ligeiramente para dentro e para fora para garantir que as linguetas de bloqueio estão totalmente encaixadas nos dentes da barra.

**Intervalo de gancho de extremidade:** *O intervalo total entre os ganchos de extremidade e a flange da viga não pode ser superior a 14,3 mm (9/16 pol.). Consulte a figura 1.*

4. Inspeccione a sua instalação para confirmar que o dispositivo de ancoragem deslizante para vigas não se soltar da viga em qualquer ponto ao longo do percurso de movimento previsto ou nas uniões ou extremidades da viga. As uniões entre as secções da viga devem ter um afastamento máximo de 12,7 mm (1/2 pol.).

### 4.0 UTILIZAÇÃO

**4.1 ANTES DE CADA UTILIZAÇÃO:** Confirme que a sua área de trabalho e sistema pessoal de paragem de queda (PFAS) cumprem os critérios definidos na Secção 2 e que existe um Plano de Salvamento implementado. Inspeccione o dispositivo de ancoragem deslizante para vigas de acordo com os pontos de inspeção do "Utilizador" definidos no "Registo de Inspeção e Manutenção" (Tabela 2). Não utilize o sistema se a inspeção revelar uma condição perigosa ou defeituosa. Retire o sistema do serviço e destrua, ou contacte a 3M relativamente a substituição ou reparação.

**4.2 CONEXÕES DE DETENÇÃO DA QUEDA:** O dispositivo de ancoragem deslizante para vigas é utilizado com um arnês de corpo inteiro e cabo de segurança de absorção de energia ou dispositivo auto-retração (SRD). A Figura 9 ilustra a ligação do cabo de segurança (A) ou SRD (B) entre o arnês e o dispositivo de ancoragem deslizante para vigas. Ligue o cabo de segurança ou SRD entre a argola em D no dispositivo de ancoragem deslizante para vigas e o anel de ancoragem dorsal no arnês conforme indicado nas instruções incluídas com o cabo de segurança ou SRD.

### 5.0 INSPEÇÃO

**5.1 FREQUÊNCIA DE INSPEÇÃO:** O dispositivo de ancoragem deslizante para vigas tem de ser inspecionado nos intervalos definidos na Secção 1. Os procedimentos de inspeção estão descritos no "Registo de inspeções e manutenções" (Tabela 2). Inspeccione todos os outros componentes do sistema de proteção antiqueda de acordo com as frequências e procedimentos definidos nas instruções do respetivo fabricante.

*Condições de trabalho extremas (ambientes difíceis, utilização prolongada, etc.) podem exigir um aumento da frequência das inspeções.*

*Alguns dispositivos de ancoragem deslizante para vigas estão equipados com uma etiqueta de identificação de radiofrequência (RFID). A etiqueta de RFID pode ser utilizada conjuntamente com o dispositivo de leitura portátil para simplificar a inspeção e controlo do inventário, bem como fornecer registos para o seu equipamento de proteção antiqueda.*

**5.2 DEFEITOS:** Se a inspeção revelar condições perigosas ou defeituosas, retire imediatamente de serviço o dispositivo de ancoragem deslizante para vigas e contacte a 3M, relativamente a substituição ou reparação. Não tente reparar o Sistema de detenção da queda.

**1 Pessoa competente:** Pessoa capaz de identificar riscos existentes e previsíveis nas proximidades ou condições de trabalho pouco higiénicas, prejudiciais ou perigosas para os funcionários, e que tem autorização para tomar medidas corretivas imediatas para os eliminar.

**2 Pessoa qualificada:** Um indivíduo com um grau reconhecido ou certificado profissional e experiência alargada em Proteção contra quedas. Este indivíduo deverá estar apto a desenhar, analisar, avaliar e a fornecer especificações para Proteção contra quedas.

**Apenas reparações autorizadas:** Apenas a 3M ou terceiros com autorização escrita podem efetuar reparações neste equipamento.

**5.3 VIDA ÚTIL DO PRODUTO:** A vida funcional do sistema de detenção da queda é determinada pelas condições de trabalho e manutenção. Enquanto o produto passar os critérios de inspeção, poderá continuar a ser utilizado.

## 6.0 MANUTENÇÃO, REPARAÇÃO, ARMAZENAMENTO

**6.1 LIMPEZA:** Limpe periodicamente os componentes metálicos do dispositivo de ancoragem deslizante para vigas com uma escova suave, água morna e uma solução de sabão suave. Certifique-se de que as peças foram lavadas minuciosamente com água limpa.

**6.2 REMOÇÃO E INSTALAÇÃO DOS BLOCOS DE DESGASTE:** Os blocos de desgaste são os únicos componentes do dispositivo de ancoragem deslizante para vigas que podem ser reparados pelo utilizador. A Figura 10 ilustra a substituição dos blocos de desgaste. Se a inspeção revelar blocos fissurados ou gastos, efetue os passos seguintes para remover os blocos gastos e instalar os novos blocos de substituição.

1. Insira uma chave de parafusos plana entre a parte superior do bloco de desgaste de plástico e o grampo de extremidade.
2. Faça deslizar a chave de fendas à volta até à parte dianteira do bloco de desgaste e solte a extremidade. Insira a chave de parafusos entre a parte inferior do bloco de desgaste de plástico e o grampo de extremidade. Faça deslizar a chave de fendas à volta até à parte dianteira do bloco de desgaste e solte a extremidade.
3. Solte a parte inferior do bloco de desgaste e remova-o do grampo de extremidade. Elimine o bloco de desgaste gasto.
4. Faça deslizar o novo bloco de desgaste no grampo de extremidade. Exerça pressão para encaixar o bloco de desgaste na posição correta.

**6.3 ASSISTÊNCIA:** Apenas a 3M ou terceiros com autorização escrita podem efetuar reparações neste equipamento. Se o dispositivo de ancoragem deslizante para vigas tiver sido sujeito a uma força de queda, tem de ser retirado de serviço imediatamente, marcado de forma clara com "NÃO UTILIZAR" e, em seguida, destruído. Se a inspeção revelar condições perigosas ou defeituosas, retire imediatamente o sistema de serviço e contacte a 3M, relativamente a substituição ou reparação.

**6.4 ARMAZENAMENTO E TRANSPORTE:** Quando não estiver a ser utilizado, armazene e transporte o dispositivo de ancoragem deslizante para vigas e o equipamento de proteção antiqueda associado num ambiente fresco, seco e limpo, afastado da luz solar direta. Evite áreas onde possam existir vapores químicos. Inspeccione minuciosamente os componentes após armazenamento prolongado.

## 7.0 ETIQUETAS

A Figura 11 ilustra as etiquetas no dispositivo de ancoragem deslizante para vigas. As etiquetas devem ser substituídas se não forem completamente legíveis. As informações fornecidas em cada etiqueta são as seguintes:

Ⓐ	Etiqueta RFID
Ⓑ	Etiqueta de aviso: 1) Inspeccione o dispositivo de ancoragem deslizante para vigas. 2) Não efetuar reparações. Este produto tem de ser reparado por um serviço técnico autorizado. 3) Intervalo de temperaturas de -40 °C - +60 °C. 4) Locais de instalação e espaços de trabalho aceitáveis. Instalar apenas em vigas verticais e horizontais com paragens. 5) Guarde os dispositivos de ancoragem deslizante para vigas num ambiente fresco, seco e limpo, afastados da luz solar direta. 6) Não retire as etiquetas do dispositivo de ancoragem deslizante para vigas. 7a) Não utilize em vigas sem paragens. 7b) Instalação correta em vigas com paragens. 8a) Instale em estruturas com capacidade nominal para 12 kN ou mais. 8b) Não utilize em estruturas com capacidade nominal inferior a 12 kN. 9) Não utilize em vigas inclinadas.
Ⓒ	10) Leia as instruções do produto. 11) Capacidade máxima de 140 kg (310 libras). 12) Identificação de organismo identificado. 13) Ano e mês de fabrico. 14) Número de lote. 15) Número de modelo. 16) Locais de instalação e espaços de trabalho aceitáveis. Instale em estruturas com capacidade nominal para 12 kN ou mais. 17) Registo de inspeções. 18) Data da inspeção. 19) Iniciais do inspetor. 20) Número do modelo do dispositivo de ancoragem deslizante para vigas, larguras de flange da viga permitidas e espessuras da flange da viga permitidas.

**Tabela 2 – Registo de Inspeção e manutenção**

<b>Data da inspeção:</b>		<b>Inspeccionado por:</b>	
<b>Componentes:</b>	<b>Inspeção:</b> (Para obter mais informações acerca da <i>Frequência de inspeções</i> da unidade, consulte a secção 1)	<b>Utilizador</b>	<b>Pessoa competente<sup>1</sup></b>
Dispositivo de ancoragem deslizante para vigas (Figura 2)	Inspeccione o dispositivo de ancoragem deslizante para vigas para verificar se existem danos: Observe fissuras, amolgadelas ou deformações.	<input type="checkbox"/>	<input type="checkbox"/>
	Inspeccione para verificar se existem dobras ou desgaste no Tubo de Suporte (A), Suporte da Argola de Conetor, Extremidades de Gancho (C) e Fechos de Patilha (D).	<input type="checkbox"/>	<input type="checkbox"/>
	Inspeccione para verificar se existem peças em falta (Rebites de Extremidade, Parafuso Central, etc.).	<input type="checkbox"/>	<input type="checkbox"/>
	Inspeccione toda a unidade para verificar se existe corrosão.	<input type="checkbox"/>	<input type="checkbox"/>
	Inspeccione os blocos de desgaste para garantir que não estão gastos ao ponto de as extremidades do gancho ficarem em contato direto com a flange da viga. Substitua os blocos de desgaste gastos ou fissurados. (Consulte a secção Remoção e Instalação de Blocos de Desgaste)	<input type="checkbox"/>	<input type="checkbox"/>
	Inspeccione os Dentes da Barra de Suporte (A) para verificar se existe desgaste ou danos. Certifique-se de que a lingueta de bloqueio encaixa total e automaticamente em cada dente quando se soltam os Fechos de Patilha (D).	<input type="checkbox"/>	<input type="checkbox"/>
	Certifique-se de que os Fechos de Patilha (D) funcionam livremente, a mola recoloca o fecho na posição inicial e que encaixam automaticamente nos Dentes da Barra de Suporte (A).	<input type="checkbox"/>	<input type="checkbox"/>
Etiquetas (Figura 11)	Verifique se todas as etiquetas estão presentes, bem fixadas e são legíveis (consulte a secção "Etiquetas")	<input type="checkbox"/>	<input type="checkbox"/>
Sistema pessoal de paragem de queda e outros equipamentos	O equipamento adicional do sistema pessoal de paragem de queda (PFAS) (arnês, SRL, etc.) utilizado com o Sistema de Ancoragem deve ser instalado e inspeccionado de acordo com as instruções do fabricante.	<input type="checkbox"/>	<input type="checkbox"/>

<b>Número(s) de série:</b>	<b>Data de aquisição:</b>
<b>Número do modelo:</b>	<b>Data da primeira utilização:</b>
<b>Ação corretiva/manutenção:</b>	Aprovado por:
	Data:
<b>Ação corretiva/manutenção:</b>	Aprovado por:
	Data:
<b>Ação corretiva/manutenção:</b>	Aprovado por:
	Data:
<b>Ação corretiva/manutenção:</b>	Aprovado por:
	Data:
<b>Ação corretiva/manutenção:</b>	Aprovado por:
	Data:
<b>Ação corretiva/manutenção:</b>	Aprovado por:
	Data:
<b>Ação corretiva/manutenção:</b>	Aprovado por:
	Data:
<b>Ação corretiva/manutenção:</b>	Aprovado por:
	Data:
<b>Ação corretiva/manutenção:</b>	Aprovado por:
	Data:
<b>Ação corretiva/manutenção:</b>	Aprovado por:
	Data:

**1 Pessoa competente:** Pessoa capaz de identificar riscos existentes e previsíveis nas proximidades ou condições de trabalho pouco higiénicas, prejudiciais ou perigosas para os funcionários, e que tem autorização para tomar medidas corretivas imediatas para os eliminar.



## SÄKERHETSINFORMATION

Läs igenom, förstå och följ all säkerhetsinformation i denna bruksanvisning innan du använder denna förankringsanslutning. OM DETTA INTE GÖRS KAN DET LEDA TILL ALLVARLIGA SKADOR ELLER DÖDSFALL.

Dessa anvisningar måste tillhandahållas för den som ska använda denna utrustning. Spara dessa instruktioner för framtida referens.

### Avsedd användning:

Denna förankringsanslutning är avsedd att användas som en del av ett komplett personligt fallskyddssystem.

Användning för andra syften, inklusive materialhantering, fritids- och idrottsaktiviteter samt andra aktiviteter som inte beskrivs i bruksanvisningen, godkänns inte av 3M och kan resultera i allvarlig skada eller dödsfall.

Denna enhet ska endast användas av utbildade användare för professionellt bruk.



### VARNING

Denna förankringsanslutning är en del av ett personligt fallskyddssystem. Alla användare förväntas vara fullständigt utbildade i säker installation och användning av sina personliga fallskyddssystem. **Felaktig användning av den här enheten kan resultera i allvarlig skada eller dödsfall.** För korrekt val, användning, installation, underhåll och service hänvisas till denna bruksanvisning och alla rekommendationer från tillverkaren, din arbetsledare eller 3M:s tekniska kundtjänst.

- **Observera följande för att minska risker som är förknippade med en förankringsanslutning och som kan leda till allvarlig personskada eller dödsfall om de inte undviks:**
  - Kontrollera enheten före varje användning, minst en gång per år och efter varje fallhändelse. Utför kontrollen enligt bruksanvisningen.
  - Om inspektion avslöjar ett osäkert eller defekt tillstånd ska du ta anordningen ur drift och reparera eller byta ut den i enlighet med bruksanvisningen.
  - Varje enhet som har utsatts för fallstopp eller fallkraft måste omedelbart tas ur bruk och förstöras.
  - Enheten får endast installeras i de specificerade underlagen eller på strukturer som beskrivs i användaranvisningarna. Installationer och användning utanför omfattningen för dessa anvisningar måste godkännas av 3M Fall Protection.
  - Underlaget eller strukturen i vilken förankringskoppling fästs måste kunna bära de statiska laster som anges för förankringen i de riktningar som är tillåtna enligt bruksanvisningarna.
  - Andra undersystem för fallskydd ska endast anslutas till enhetens utsedda förankringsanslutningspunkt.
  - Säkerställ före borring eller infästning att inga elledningar, gasledningar eller andra kritiska dolda system kommer i kontakt med borren eller utrustningen.
  - Se till att fallskyddssystem och delsystem som är monterade med komponenter från olika tillverkare är kompatibla och uppfyller kraven i tillämpliga standarder, inklusive ANSI Z359 eller andra tillämpliga regler, standarder eller krav på fallskydd. Anlit alltid en kompetent eller kvalificerad person före användning av dessa system.
- **För att minska risker för allvarlig skada eller dödsfall vid arbete på höga höjder:**
  - Se till att din hälsa och fysiska kondition medger att du säkert kan motstå alla krafter i samband med arbete på hög höjd. Rådgör med läkare om du har frågor kring din förmåga att använda den här utrustningen.
  - Överskrid aldrig din fallskyddsutrustnings godkända kapacitet.
  - Överskrid aldrig din fallskyddsutrustnings maximala avstånd för fritt fall.
  - Använd aldrig fallskyddsutrustning som inte godkänts vid inspektion före användning eller andra schemalagda inspektioner, eller om du är osäker på huruvida utrustningen kan användas eller lämpar sig för ditt tillämpningsområde. Vänd dig till 3M:s tekniska kundtjänst med eventuella frågor.
  - Vissa kombinationer av undersystem och komponenter kan störa utrustningens funktionsduglighet. Använd endast kompatibla kopplingar. Rådfråga 3M innan du använder denna utrustning i kombination med andra komponenter eller undersystem än de som beskrivs i bruksanvisningen.
  - Var extra försiktig då du arbetar i närheten av rörligt maskineri (t.ex. topdrive på oljerigg), nära farlig elektrisk utrustning, i extrema temperaturer, nära farliga kemikalier, nära explosiva eller giftiga gaser, nära vassa kanter samt under ovanliggande material som kan falla ner på dig eller din fallskyddsutrustning.
  - Använd Arc Flash- eller Hot Works-enheter vid arbete i miljöer med höga temperaturer.
  - Undvik ytor och föremål som kan skada användare eller utrustning.
  - Se till att det finns tillräcklig fallmarginal vid arbete på höga höjder.
  - Du skall aldrig modifiera eller ändra din fallskyddsutrustning. Endast 3M eller av 3M skriftligen auktoriserade parter får utföra reparationer på utrustningen.
  - Innan du använder fallskyddsutrustning skall du kontrollera att det finns en räddningsplan som medger snabb räddning vid eventuellt fall.
  - Vid fall bör arbetaren som fallit få omedelbar läkarvård.
  - Ett kroppsbälte får ej användas för fallstoppstillämpningar. Använd endast helkroppsselar.
  - Minimera risken för pendelfall genom att arbeta med förankringspunkten så rakt ovanför dig som möjligt.
  - Vid utbildning i användning av den här enheten måste ett andra fallskyddssystem användas för att inte utsätta personen som utbildas för en oavsiktlig fallrisk.
  - Använd alltid lämplig personlig skyddsutrustning vid installation, användning eller inspektion av enheten/systemet.



Anteckna informationen om produktidentifiering från ID-etiketten i besiktnings- och underhållsloggen (tabell 2) på baksidan av denna bruksanvisning innan denna utrustning installeras och används.

## PRODUKTBESKRIVNING:

3M™ DBI-SALA™ Glidbalkförankring visas i figur 1. Glidbalkförankringen är en enpunkts förankringskoppling för personliga fallskyddssystem eller personliga fallhindrande system, avsett för infästning på en balk.

Glidbalkförankringens komponenter visas i figur 2. Se tabell 1 angående delarnas tekniska data. Glidbalkförankringen består av en bärskena med sprinnehål (A) med en vridbar kopplingsring (B) och justerbara krokändar (C) som greppar över kanterna på en balkfläns med låsflikar (D) som hakar fast i bärskenan. Glidbalkförankringen löper fritt längs balken på slitageskydden (E). En livlina eller självindragande enhet (SRD) kopplas mellan glidbalkförankringens vridbara kopplingsring och lämplig kopplingsanordning på användarens helkroppssele.

**Tabell 1 – Specifikationer**

Systemspecifikationer:		
<b>Kapacitet:</b>	1 person med totalt vikt (inklusive klädsel, verktyg osv.) högst: 140 kg (310 pund) för att uppfylla EN 795.	
<b>Förankringshållfasthet:</b>	Erforderlig förankringshållfasthet beror på tillämpningen: <b>Förankringsstruktur:</b> Konstruktionen som förankringskopplingen monteras på måste kunna bära en kontinuerlig last i förväntade belastningsriktningar. Varje förankringspunkt måste bära följande kontinuerliga laster:	
	<b>EN 795</b>	12 kN (2 698 pund)
<b>Arbetstemperatur</b>	-40 °C (-40 °F) Lägsta arbetstemperatur	
<b>Förankringskopplingens brottstyrka:</b>	22 kN (5 000 pund) Minsta brottstyrka	
<b>Mått:</b>	Se figur 1 angående varje glidbalkförankrings mått.	
<b>Vikt:</b>	Se figur 1 angående varje glidbalkförankrings vikt.	
Komponentspecifikationer:		
Figur 2 referens:	Komponent	Material
Ⓐ	Bärskena	Aluminiumlegering
Ⓑ	Kopplingsring	Stållegering
Ⓒ	Krokändar	Aluminiumlegering
Ⓓ	Låsflikar	Stållegering
Ⓔ	Slitageskydd	Nylon

**1 Kvalificerad person:** Det ska vara en person med intygat erkänd professionell nivå och omfattande erfarenhet av fallskydd. Denna person måste vara väl insatt i konstruktion, analys, utvärdering och specifikation av fallskydd.

## 1.0 PRODUKTANVÄNDNING

- 1.1 SYFTE:** Förankringskopplingar är konstruerade för att ge tillgång till förankringspunkter för fallstoppsystem<sup>1</sup> eller fallhindrande <sup>2</sup>system: Begränsning, arbetspositionering, persontransport, räddning osv.

**Endast fallskydd:** Denna förankringskoppling är avsedd för koppling av en fallskyddsutrustning. Koppla inte lyftutrustning till denna förankringskoppling.

- 1.2 STANDARDER:** Din förankringskoppling överensstämmer med de nationella standarder som återges på framsidan av dessa instruktioner. Om denna produkt återförsäljs utanför det ursprungliga mottagarlandet, måste återförsäljaren tillhandahålla denna bruksanvisning på språket i det land där produkten kommer att användas.
- 1.3 ÖVERVAKNING:** Användning av denna utrustning måste övervakas av en kompetent person<sup>3</sup>.
- 1.4 UTBILDNING:** Denna utrustning måste installeras och användas av personer som är utbildade för korrekt användning av den. Denna bruksanvisning ska användas som en del i ett personalutbildningsprogram enligt CE-kraven. Det är de som använder och installerar denna utrustning som ansvarar för att säkerställa att de är förtrogna med dessa anvisningar, utbildade för korrekt skötsel och användning av denna utrustning samt medvetna om driftsegenskaperna, tillämpningsbegränsningar och konsekvenserna av felaktig användning av denna utrustning.
- 1.5 RÄDDNINGSPLAN:** När denna utrustning och anslutande undersystem används ska arbetsgivaren ha en räddningsplan och resurser tillgängliga för att tillämpa och informera användare, behöriga personer<sup>4</sup> och räddningspersonal<sup>5</sup> om planen. Ett utbildat räddningsteam på plats rekommenderas. Teamets medlemmar ska förse med utrustning och metoder för att utföra en framgångsrik räddningsoperation. Regelbunden utbildning ska tillhandahållas för att säkerställa räddningspersonalens kompetens.
- 1.6 BESIKTNINGSINTERVALL:** Förankringskopplingen ska besiktas av användaren före varje användning och dessutom av en kompetent person, annan än användaren, minst en gång per år.<sup>6</sup> Besiktningrutinerna beskrivs i "Besiktning- och underhållslogg". Resultatet av varje kompetent persons besiktning ska registreras på kopior av "Besiktning- och underhållsloggen".
- 1.7 EFTER ETT FALL:** Om förankringskopplingen utsätts för fallstoppskrafter skall den omgående tas ur bruk, tydligt märkas "FÅR EJ ANVÄNDAS" och sedan förstöras.

## 2.0 SYSTEMKRAV

- 2.1 FÖRANKRING:** Kraven på förankring varierar mellan olika fallskyddstillämpningar. Den konstruktion som förankringskopplingen placeras eller monteras på måste uppfylla de i tabell 1 definierade förankrings-specifikationerna.
- 2.2 PERSONLIGT FALLSKYDDSSYSTEM:** Användningen av förankringskopplingen illustreras i figur 1. Personliga fallskyddssystem (PFAS), som används tillsammans med denna utrustning, måste uppfylla tillämpliga standarder och anvisningar. PFAS-systemet måste innefatta en helkroppsssele och begränsa den maximala stoppkraften till följande värden:

	Högsta tillåtna stoppkraft	Fritt fall
PFAS med stötdämpande lina	6 kN (1 350 pund)	Se instruktionerna som medföljer din kopplingslina eller SRD angående begränsningar för fritt fall.
PFAS med självindragande lina (SRD)	6 kN (1 350 pund)	

- 2.3 FALLVÄG OCH SRD-LÅSNINGSHASTIGHET:** Fri fallväg är nödvändigt för att säker låsning av SRD-enheten ska kunna garanteras. Situationer som inte medger en obehindrad fallväg bör undvikas. Arbete i begränsade eller trånga utrymmen betyder eventuellt att kroppen inte når tillräckligt hög hastighet för att SRD:n ska låsas vid ett fall. Arbete på långsamt glidande material, t.ex. sand eller spannmål, medger eventuellt inte tillräcklig hastighetsökning för att SRD:n ska låsa.
- 2.4 RISKER:** Användning av denna utrustning i områden med miljöfaror kan fordra ytterligare försiktighet för att undvika risken för att användaren skadas eller skada på utrustningen. Faror kan inkludera men är inte begränsade till: hetta, kemikalier, korrosiva miljöer, kraftledning för högspänning, explosiva eller giftiga gaser, rörliga maskiner, vassa kanter eller material på högre höjd som kan falla ned och träffa användaren eller fallskyddssystemet.
- 2.5 FALLMARGINAL:** Komponenter för fallstopp illustreras i figur 3. Det måste finnas tillräcklig fallmarginal (FC) för att stoppa ett fall innan användaren slår i marken eller annat föremål. Marginalen bestäms av ett antal faktorer inklusive: Förankringspunkt (A), kopplingslinans längd (B), kopplingslinans inbromsningssträcka eller SRD:ns stoppsträcka (C), selens töjning och D-ringars/kopplingars längd och sättning. Se anvisningar som hör till fallskyddssystemet för uppgifter angående beräkning av fallmarginal.
- 2.6 PENDELFALL:** Pendelfall kan inträffa när förankringspunkten inte ligger rakt ovanför den punkt där ett fall sker (se figur 4). Kraften då ett föremål träffas i pendelfall kan orsaka allvarlig personskada eller dödsfall. Minimera risken för pendelfall genom att arbeta med förankringspunkten så rakt ovanför dig som möjligt. Låt inte pendelfall uppstå om det finns risk för personskada. Pendelfall medför en betydligt högre fallmarginal än vad som krävs för en självindragande livlina eller annat undersystem med variabel längd.

**1 Fallskyddssystem:** En uppsättning av fallskyddsutrustning arrangerad för att stoppa fritt fall.

**2 Fallhindrande system:** En uppsättning av fallskyddsutrustning arrangerad för att hindra att en persons tyngdpunkt når en position med fallrisk.

**3 Kompetent person:** En person som kan identifiera befintliga och förutsägbara risker i omgivningarna, eller arbetsförhållanden som är hälsovådliga, riskfyllda eller farliga för anställda och som har behörighet att vidta omedelbara korrigerande åtgärder för att eliminera dessa.

**4 Behörig person:** För att uppfylla Z359-standarderna, ska en person som utsetts av arbetsgivaren utföra arbetet på platser där personen kommer att utsättas för fallrisk.

**5 Räddare:** Person eller personer utom den nödställda som agerar för att utföra en assisterad räddning med hjälp av ett räddningssystem.

**6 Besiktningintervall:** Extrema arbetsförhållanden (hård miljö, lång tids användning m.m.) kan kräva tätare besiktningar av kompetent person.

**2.7 KOMPONENTERS KOMPATIBILITET:** Om inget annat anges är 3M-utrustning endast utformad för komponenter och undersystem som är godkända av 3M. Ersättning eller utbyte mot icke godkända komponenter eller undersystem kan äventyra utrustningens kompatibilitet och även påverka hela systemets säkerhet och tillförlitlighet.

**2.8 KOPPLINGARS KOMPATIBILITET:** Anslutningar anses vara kompatibla med anslutningselement när de är avsedda att fungera tillsammans på ett sådant sätt att deras storlekar och former inte orsakar att deras öppningsmekanismer öppnar sig av misstag, oavsett hur de än vrids och vänds. Kontakta 3M om du har frågor som rör kompatibilitet.

Kopplingar skall uppfylla EN 362. Kopplingar måste vara kompatibla med förankringen eller andra systemkomponenter. Använd inte utrustning som inte är kompatibel. Icke-kompatibla kopplingar kan lossna av misstag (se figur 5). Kopplingar måste vara kompatibla i storlek, form och styrka. Om det anslutningselement som en automatkrok eller karbinkrok fästs i är för litet eller oregelbundet utformat, kan en situation uppstå där kopplingskomponenten tillför kraft på automatkrokens eller karbinkrokens (A) öppningsmekanism. Denna kraft kan orsaka att öppningsmekanismen öppnas (B), vilket medför att automatkroken eller karbinkroken kan lossna från kopplingspunkten (C).

**2.9 ATT KOPPLA:** Automatkrokar och karbinkrokar som används med denna utrustning skall vara självlåsand. Kontrollera att alla anslutningar är kompatibla i storlek, form och styrka. Använd inte utrustning som inte är kompatibel. Kontrollera att alla kopplingar är helt stängda och låsta.

3M kopplingar (automatkrokar och karbinhakar) är endast avsedda att användas enligt produkternas bruksanvisningar. Se figur 6 för exempel på olämpliga anslutningar. Anslut inte automatkrokar och karbinkrokar:

- A. Till en D-ring som har en annan koppling ansluten.
- B. På ett sätt som skulle orsaka en belastning på öppningsmekanismen. Automatkrokar med stora öppningar ska inte kopplas till D-ringar i standardstorlek eller liknande som kan orsaka belastning på öppningsmekanismen om kroken eller D-ringen vrids eller roterar, såvida inte automatkroken är försedd med 16 kN (3 600 pund) öppningsmekanism. Kontrollera automatkrokens märkning för att avgöra om den passar för din tillämpning.
- C. I en falsk koppling, där delar som sticker ut på automatkroken eller karbinkroken fastnar i förankringen, och utan visuell bekräftelse tycks vara helt fastkopplade i förankringspunkten.
- D. Till varandra.
- E. Direkt till vävband, säkringsrep eller omtagslinor (såvida inte tillverkarens instruktioner för både kopplingslinan och anslutningen specifikt tillåter sådan anslutning).
- F. Till ett föremål som är utformat eller har sådan storlek att automatkroken eller karbinkroken inte stängs, eller om det finns risk för utrullning.
- G. På ett sätt som inte tillåter kopplingen att sitta rakt under lasten.

### 3.0 INSTALLATION

*Montering av DBI-SALA glidbalkförankring skall övervakas av en kompetent person<sup>1</sup>. En kvalificerad person<sup>2</sup> ska intyga att installationen uppfyller kraven på en certifierad förankring, alternativt klarar de krafter som kan uppstå vid ett fall.*

- 3.1 PLANERING:** Planera fallskyddssystemet före montering av glidbalkförankringen. Beakta alla faktorer som kan påverka säkerheten före, under och efter ett fall. Ta hänsyn till alla krav, begränsningar och specifikationer som är angivna i avsnitt 2 och tabell 1.

*Ändstopp: Ändstopp som uppfyller kraven på förankringskapacitet enligt tabell 1 måste finnas i båda ändar av bommen. Om bommen lutar eller sitter vertikalt måste glidbalkförankringen sitta intill det nedre ändstoppet för att undvika att glidbalkförankringen rör sig vid ett fall.*

- 3.2 MONTERING AV GLIDBALKFÖRANKRINGEN:** Glidbalkförankringen kan monteras på bommar som uppfyller kraven på förankringar enligt tabell 1. Se figur 1 beträffande tillåten balkflänsbredd (A) och tjocklek (B) för varje modell av glidbalkförankring. Glidbalkförankringen kan toppmonteras (A), bottenmonteras (B) eller sidmonteras (C eller D) på bommen (se figur 7). I figur 8 visas montering av glidbalkförankring. Montering av glidbalkförankringen:

1. Lossa låsflikarna på varje ändkrok, justera ändkrokarna så att de passar över balkflänsen med anslutningsringen centrerad mellan ändkrokarna och frigör sedan låsflikarna.
2. Placera glidbalkförankringen på balkflänsen med anslutningsringen centrerad på bommen. Skjut ändkrokarna inåt tills de klämmer om balkflänsen.
3. Flytta, med låsflikarna i låst läge, ändkrokarna inåt eller utåt något för att säkerställa att spärrhakarna är fullständigt kopplade till bommens tänder.

*Glapp för ändkrokar: Totalt glapp mellan ändkrokarna och balkflänsen får inte vara större än 14,3 mm (9/16 tum). Se figur 1.*

4. Kontrollera installationen och att glidbalkförankringen inte kan lossna från balken på något ställe längs den avsedda rörelsebanan eller vid balkfogar eller ändar. Fogytorna på skarvade bomsektioner måste vara parallella med största glapp 12,7 mm (1/2 tum).

### 4.0 ANVÄNDNING

- 4.1 FÖRE VARJE ANVÄNDNING:** Kontrollera att ditt arbetsområde och personligt fallskyddssystem (PFAS) uppfyller alla i avsnitt 2 definierade kriterier och att en formell räddningsplan upprättats. Inspektera glidbalksförankringen enligt "Användarens kontrollpunkter"- som finns i "Besiktning- och underhållsloggen" (tabell 2). Använd inte systemet om ett osäkert eller defekt tillstånd upptäcks vid besiktning. Ta systemet ur drift och förstör det eller kontakta 3M avseende utbyte eller reparation.

- 4.2 FALLSTOPPSANSLUTNINGAR:** Glidbalksförankringen används med en helkroppssele och energiabsorberande livlina eller självindragande livlina (SRD). Koppling av livlina (A) eller SRD (B) mellan selen och glidbalksförankringen visas i figur 9. Koppla livlinan eller SRD:n mellan glidbalkförankringens D-ring och den selens bakre D-ring enligt anvisningar i instruktionerna som medföljer livlinan eller SRD:n.

### 5.0 INSPEKTION

- 5.1 BESIKNINGSINTERVALL:** Glidbalkförankringen måste besiktas med de intervall som anges i avsnitt 1. Besiktningrutinerna finns beskrivna i "Besiktning- och underhållsloggen" (tabell 2). Inspektera alla övriga komponenter i fallskyddssystemet med de intervall och rutiner som finns definierade i tillverkarens anvisningar.

*Extrema arbetsförhållanden (krävande miljö, lång tids användning osv.) kan kräva att besiktningarna görs oftare.*

*Glidbalkförankringen är försedd med en RFID-tag för radiofrekvensavläsning. RFID-taggen kan användas tillsammans med bärbar avläsningsenhet för att förenkla besiktning, inventering och upprättande av protokoll för fallskyddsutrustningen.*

- 5.2 DEFEKTER:** Om osäkra eller defekta tillstånd upptäcks vid besiktning skall glidbalksförankringen omedelbart tas ur bruk och 3M kontaktas för utbyte eller reparation. Gör inga försök att reparera fallskyddssystemet.

*Får endast repareras av auktoriserad verkstad: Endast 3M eller skriftligen auktoriserade parter får utföra reparationer på utrustningen.*

- 5.3 PRODUKTENS LIVSLÄNGD:** Fallskyddssystemets livslängd avgörs av arbetsförhållanden och underhåll. Så länge som produkten uppfyller besiktningsskraven får den fortsätta användas.

**1 Kompetent person:** En person som kan identifiera befintliga och förutsägbara risker i omgivningarna, eller arbetsförhållanden som är hälsovådliga, riskfyllda eller farliga för anställda och som har behörighet att vidta omedelbara korrigerande åtgärder för att eliminera dessa.

**2 Kvalificerad person:** Det ska vara en person med intygat erkänd professionell nivå och omfattande erfarenhet av fallskydd. Denna person måste vara väl insatt i konstruktion, analys, utvärdering och specifikation av fallskydd.

## 6.0 UNDERHÅLL, SERVICE, FÖRVARING

- 6.1 RENGÖRING:** Rengör regelbundet glidbalkförankringens metallkomponenter med en mjuk borste, varmt vatten och mild tvålösning. Se till att delarna sköljs grundligt med rent vatten.
- 6.2 DEMONTERA OCH MONTERA SLITAGESKYDD:** Slitageskydden är den enda komponent som användaren kan åtgärda på glidbalkförankringen. Byte av slitageskydd illustreras i figur 10. Utför följande steg för att byta ut gamla och montera nya slitageskydd om sprickor eller slitage på slitageskydden upptäcks vid besiktning.
1. För in en spårskruvmejsel mellan slitageskyddets plastlock och ändklämman.
  2. För skruvmejseln runt slitageskyddets framdel och bänd ut änden. För in en spårskruvmejsel mellan slitageskyddets nederdel och ändklämman. För skruvmejseln runt slitageskyddets framdel och bänd ut änden.
  3. Bänd ut slitageskyddets nederdel och ta bort den från ändklämman. Kassera det gamla slitageskyddet.
  4. För in det nya slitageskyddet i ändklämman. Tryck så att det nya slitageskyddet snäpper på plats.
- 6.3 SERVICE:** Endast 3M eller deras auktoriserade parter får reparera utrustningen. Om glidbalkförankringen har utsatts för fallstoppskrafter skall den omgående tas ur bruk, tydligt märkas "FÅR EJ ANVÄNDAS" och sedan förstöras. Om osäkra eller defekta tillstånd upptäcks vid besiktning ska systemet omedelbart tas ur drift och 3M kontaktas för utbyte eller reparation.
- 6.4 FÖRVARING OCH TRANSPORT:** Förvara glidbalkförankringen och tillhörande fallskyddsutrustning på sval, torr och ren plats skyddat mot direkt solljus. Undvik platser där det kan finnas kemiska ångor. Inspektera komponenterna ingående efter långvarig förvaring.

## 7.0 ETIKETTER

Etiketter på glidbalkförankringen visas i figur 11. Etiketterna måste bytas ut om de inte är helt läsliga. Följande information tillhandahålls på varje etikett:

Ⓐ	RFID-tag
Ⓑ	Varningsetikett: 1) Kontrollera glidbalksförankringen. 2) Får ej repareras. Denna produkt måste servas på ett behörigt servicecenter. 3) Temperaturområde -40–+60 °C. 4) Godkända monteringsplatser och arbetsområden. Får endast monteras på vertikala eller horisontella balkar med ändstopp. 5) Förvara glidbalkförankringar i sval, torr och ren miljö utan direkt solljus. 6) Ta inte bort några etiketter från glidbalkförankringen. 7a) Använd inte på balkar utan ändstopp. 7b) Korrekt montering på balkar med ändstopp. 8a) Montera på konstruktioner klassade för minst 12 kN. 8b) Använd inte på konstruktioner med mindre lastklass än 12 kN. 9) Använd inte på lutande balkar.
Ⓒ	10) Läs produktens anvisningar. 11) Högsta tillåtna last 140 kg (310 pund). 12) ID för anmält organ. 13) Tillverkningsår och månad. 14) Partinummer. 15) Modellnummer. 16) Godkända monteringsplatser och arbetsområden. Montera på konstruktioner klassade för minst 12 kN. 17) Besiktningsslogg. 18) Besiktningdatum. 19) Kontrollantens signatur. 20) Glidbalkförankringens modellnummer, tillåten balkflänsbredd och tillåten balkflänstjocklek.

**Tabell 2 - Besiktning- och underhållslogg**

Datum för besiktning:		Besiktad av:	
Komponenter:	Besiktning: (Se avsnitt 1 avseende besiktningintervall)	Användare	Kompetent person <sup>1</sup>
Glidbalksförankring (figur 2)	Kontrollera eventuella skador på glidbalksförankringen: Leta efter sprickor, bucklor eller deformationer.	<input type="checkbox"/>	<input type="checkbox"/>
	Kontrollera eventuell deformation eller slitage på stödröret (A), anslutningsringen (B), anslutningsringfästet, krokändar (C) och låsflikar (D).	<input type="checkbox"/>	<input type="checkbox"/>
	Kontrollera eventuella saknade delar (ändnitar, centrumskravar osv.)	<input type="checkbox"/>	<input type="checkbox"/>
	Inspektera hela enheten för korrosion.	<input type="checkbox"/>	<input type="checkbox"/>
	Kontrollera att krokändarna inte har slitits ner så mycket att de kommer i direkt kontakt med balkflänsen. Byt ut slitna eller spruckna slitageskydd. (se Byte och montering av slitageskydd)	<input type="checkbox"/>	<input type="checkbox"/>
	Kontrollera eventuellt slitage och skador på stödbommens (A) tänder. Säkerställ att låsspärrhaken kopplas samman fullständigt med varje tand när låsflikarna (D) har frigjorts.	<input type="checkbox"/>	<input type="checkbox"/>
	Se till att låsflikarna (D) är fritt rörliga, fjädrar tillbaka helt och automatiskt kopplas till stödbommens (A) tänder.	<input type="checkbox"/>	<input type="checkbox"/>
Etiketter (figur 11)	Kontrollera att alla etiketter sitter säkert fast och är läsbara (se "Etiketter")	<input type="checkbox"/>	<input type="checkbox"/>
PFAS och övrig utrustning	Ytterligare utrustning för personligt fallskyddssystem (PFAS) (sele, SRL osv.), som används tillsammans med förankringssystemet, ska installeras och besiktas enligt tillverkarens anvisningar.	<input type="checkbox"/>	<input type="checkbox"/>

<b>Serienummer:</b>	<b>Inköpsdatum:</b>
<b>Modellnummer:</b>	<b>Datum för första användning:</b>
<b>Korrigerande åtgärd/underhåll:</b>	Godkänt av:
	Datum:
<b>Korrigerande åtgärd/underhåll:</b>	Godkänt av:
	Datum:
<b>Korrigerande åtgärd/underhåll:</b>	Godkänt av:
	Datum:
<b>Korrigerande åtgärd/underhåll:</b>	Godkänt av:
	Datum:
<b>Korrigerande åtgärd/underhåll:</b>	Godkänt av:
	Datum:
<b>Korrigerande åtgärd/underhåll:</b>	Godkänt av:
	Datum:
<b>Korrigerande åtgärd/underhåll:</b>	Godkänt av:
	Datum:
<b>Korrigerande åtgärd/underhåll:</b>	Godkänt av:
	Datum:
<b>Korrigerande åtgärd/underhåll:</b>	Godkänt av:
	Datum:
<b>Korrigerande åtgärd/underhåll:</b>	Godkänt av:
	Datum:
<b>Korrigerande åtgärd/underhåll:</b>	Godkänt av:
	Datum:

**1 Kompetent person:** En person som kan identifiera befintliga och förutsägbara risker i omgivningarna, eller arbetsförhållanden som är hälsovådliga, riskfyllda eller farliga för anställda och som har behörighet att vidta omedelbara korrigerande åtgärder för att eliminera dessa.

## ΠΛΗΡΟΦΟΡΙΕΣ ΑΣΦΑΛΕΙΑΣ

Παρακαλούμε διαβάστε, κατανοήστε και ακολουθήστε όλες τις πληροφορίες ασφαλείας που περιέχονται στις παρούσες οδηγίες πριν από τη χρήση του Συνδέσμου Αγκίστρωσης. **ΕΑΝ ΔΕΝ ΤΗΡΗΣΕΤΕ ΤΑ ΠΑΡΑΠΑΝΩ, ΜΠΟΡΕΙ ΝΑ ΠΡΟΚΛΗΘΕΙ ΣΟΒΑΡΟΣ ΤΡΑΥΜΑΤΙΣΜΟΣ Ή ΘΑΝΑΤΟΣ.**

Οι οδηγίες αυτές πρέπει να παρέχονται στον χρήστη του εξοπλισμού αυτού. Διατηρήστε αυτές τις οδηγίες για μελλοντική αναφορά.

### Προβλεπόμενη χρήση:

Αυτός ο Σύνδεσμος Αγκίστρωσης προορίζεται για χρήση ως μέρος ενός συστήματος ή/και εξοπλισμού πλήρους προστασίας πτώσης.

Η χρήση σε οποιαδήποτε άλλη εφαρμογή που περιλαμβάνει, χωρίς περιορισμούς, χειρισμό υλικών, ψυχαγωγικές ή αθλητικές δραστηριότητες, ή άλλες δραστηριότητες οι οποίες δεν περιγράφονται στις Οδηγίες Χρήστη, δεν είναι εγκεκριμένη από την 3M και μπορεί να προκαλέσει σοβαρό τραυματισμό ή θάνατο.

Αυτό το σύστημα προορίζεται αποκλειστικά για χρήση από εκπαιδευμένους χρήστες σε εφαρμογές στον χώρο εργασίας.



### ΠΡΟΕΙΔΟΠΟΙΗΣΗ

Αυτός ο Σύνδεσμος Αγκίστρωσης είναι μέρος του ατομικού συστήματος προστασίας πτώσης. Αναμένεται όλοι οι χρήστες να είναι πλήρως εκπαιδευμένοι στην ασφαλή εγκατάσταση και λειτουργία του ατομικού συστήματος προστασίας από πτώση. **Η λανθασμένη χρήση αυτού του συστήματος μπορεί να προκαλέσει σοβαρό τραυματισμό ή θάνατο.** Για την κατάλληλη επιλογή, λειτουργία, εγκατάσταση, συντήρηση και σέρβις, ανατρέξτε στις παρούσες Οδηγίες Χρήστη και σε όλες τις συστάσεις του κατασκευαστή, απευθυνθείτε στον προϊστάμενό σας, ή επικοινωνήστε με την Τεχνική Υποστήριξη της 3M.

- **Για τη μείωση των κινδύνων που σχετίζονται με την εργασία με έναν Σύνδεσμο Αγκίστρωσης, οι οποίοι αν δεν αποφευχθούν, μπορεί να οδηγήσουν σε σοβαρό τραυματισμό ή θάνατο:**
  - Επιθεωρείτε τη συσκευή πριν από κάθε χρήση, τουλάχιστον ετησίως και ύστερα από οποιοδήποτε συμβάν πτώσης. Επιθεωρείτε σύμφωνα με τις Οδηγίες Χρήστη.
  - Αν η επιθεώρηση δείξει κάποια μη ασφαλή ή ακατάλληλη κατάσταση, μην χρησιμοποιήσετε τη συσκευή και επισκευάστε την ή αντικαταστήστε την σύμφωνα με τις Οδηγίες Χρήστη.
  - Οποιαδήποτε συσκευή έχει εκτεθεί σε ανακοπή πτώσης ή σε δύναμη πρόσκρουσης πρέπει να τεθεί άμεσα εκτός χρήσης και να καταστραφεί.
  - Η εγκατάσταση της συσκευής πρέπει να γίνει μόνο στα καθορισμένα υποστώματα ή στις δομές που περιγράφονται λεπτομερώς στις Οδηγίες Χρήστη. Τυχόν εγκαταστάσεις και χρήσεις που δεν ακολουθούν τις παρούσες οδηγίες, πρέπει να εγκριθούν από την 3M Fall Protection.
  - Το υπόστρωμα ή η δομή στην οποία είναι προσαρτημένος ο σύνδεσμος αγκύρωσης, πρέπει να μπορεί να αντέξει τα στατικά φορτία που καθορίζονται για την αγκύρωση στους προσανατολισμούς που επιτρέπονται στις Οδηγίες Χρήστη.
  - Συνδέετε άλλα υποσυστήματα προστασίας πτώσης μόνο στο καθορισμένο σημείο αγκίστρωσης συνδέσμου στη συσκευή.
  - Πριν από τη διάτρηση ή πρόσδεση, βεβαιωθείτε ότι κανένα ηλεκτροφόρο καλώδιο, σωλήνας αερίου ή άλλα σημαντικά ενσωματωμένα συστήματα δεν θα έλθουν σε επαφή με το τρυπάνι ή τη συσκευή.
  - Βεβαιωθείτε ότι τα συστήματα/υποσυστήματα προστασίας από πτώσεις τα οποία συναρμολογούνται από εξαρτήματα που έχουν κατασκευαστεί από άλλους κατασκευαστές είναι συμβατά και πληρούν τις απαιτήσεις των ισχυόντων προτύπων, συμπεριλαμβανομένου του ANSI Z359 ή άλλων ισχυόντων κωδικών, προτύπων ή απαιτήσεων προστασίας από πτώσεις. Να συμβουλευέστε πάντα ένα ικανό ή καταρτισμένο άτομο πριν από τη χρήση αυτών των συστημάτων.
- **Για τη μείωση των κινδύνων που σχετίζονται με την εργασία σε ύψος, οι οποίοι αν δεν αποφευχθούν, μπορεί να προκαλέσουν σοβαρό τραυματισμό ή θάνατο:**
  - Βεβαιωθείτε ότι η υγεία σας και η φυσική σας κατάσταση σας επιτρέπουν να αντιμετωπίσετε τις δυνάμεις που συνδέονται με την εργασία σε ύψος. Συμβουλευθείτε τον γιατρό σας αν έχετε ερωτήσεις σχετικά με τη δυνατότητά σας να χρησιμοποιήσετε αυτόν τον εξοπλισμό.
  - Ποτέ μην ξεπερνάτε τα επιτρεπόμενα όρια του εξοπλισμού προστασίας από πτώσεις.
  - Ποτέ μην ξεπερνάτε το ανώτατο όριο απόστασης ελεύθερης πτώσης του εξοπλισμού προστασίας από πτώσεις.
  - Μην χρησιμοποιείτε κανέναν εξοπλισμό προστασίας από πτώσεις ο οποίος είναι ακατάλληλος πριν από την χρήση ή αν δεν έχει περάσει προγραμματισμένους ελέγχους με επιτυχία, ή αν ανησυχείτε για τη χρήση του ή για την καταλληλότητά του. Επικοινωνήστε με την Τεχνική Υποστήριξη της 3M για οποιοσδήποτε ερωτήσεις.
  - Ορισμένοι συνδυασμοί υποσυστημάτων και εξαρτημάτων μπορεί να επηρεάσουν τη λειτουργία του εξοπλισμού αυτού. Χρησιμοποιείτε μόνο συμβατές συνδέσεις. Συμβουλευτείτε την 3M πριν χρησιμοποιήσετε τον εξοπλισμό σε συνδυασμό με εξαρτήματα ή υποσυστήματα διαφορετικά από αυτά που περιγράφονται στις Οδηγίες Χρήστη.
  - Να είστε εξαιρετικά προσεκτικοί κατά την εργασία κοντά σε κινούμενα μηχανήματα (π.χ. κινητήρες Top Drive σε πετρελαϊκές εξέδρες), ηλεκτρικό ρεύμα, ακραίες θερμοκρασίες, επικίνδυνα χημικά, εκρηκτικά ή τοξικά αέρια, αιχμηρές άκρες ή κάτω από υλικά τα οποία μπορεί να πέσουν πάνω σας ή πάνω στον εξοπλισμό προστασίας από πτώσεις.
  - Κατά την εργασία σε χώρους με υψηλή θερμοκρασία χρησιμοποιήστε συστήματα Arc Flash ή Hot Works.
  - Αποφεύγετε επιφάνειες και αντικείμενα τα οποία μπορεί να προκαλέσουν τραυματισμό στον χρήστη ή ζημιά στον εξοπλισμό.
  - Βεβαιωθείτε ότι υπάρχει επαρκές κενό πτώσης κατά την εργασία σε ύψος.
  - Μην πραγματοποιείτε αλλαγές ή τροποποιήσεις στον εξοπλισμό προστασίας από πτώσεις. Μόνο η 3M ή γραπτός εξουσιοδοτημένος αντιπρόσωπος της 3M μπορούν να κάνουν επισκευές σε αυτό τον εξοπλισμό.
  - Πριν από τη χρήση του εξοπλισμού προστασίας από πτώσεις, βεβαιωθείτε ότι έχει εκπονηθεί ένα σχέδιο διάσωσης το οποίο επιτρέπει την άμεση διάσωση σε περίπτωση πτώσης.
  - Στην περίπτωση πτώσης, αναζητήστε αμέσως ιατρική βοήθεια για τον εργαζόμενο ο οποίος υπέστη την πτώση.
  - Μην χρησιμοποιείτε ζώνη συγκράτησης του κορμού για την αναστολή πτώσεων. Χρησιμοποιείτε μόνο ιμάντες πρόσδεσης σώματος.
  - Περιορίστε τις πτώσεις με ταλάντωση, δουλεύοντας, όσο αυτό είναι δυνατό, ακριβώς κάτω από το σημείο αγκίστρωσης.
  - Αν πραγματοποιείτε εκπαίδευση με αυτήν τη συσκευή, πρέπει να χρησιμοποιείτε ένα δευτερεύον σύστημα προστασίας από πτώσεις έτσι ώστε ο εκπαιδευόμενος να μην εκτίθεται σε ακούσιο κίνδυνο πτώσης.
  - Να φοράτε πάντα κατάλληλο προσωπικό εξοπλισμό προστασίας κατά την εγκατάσταση, χρήση, ή επιθεώρηση της συσκευής/συστήματος.



Πριν από την εγκατάσταση και χρήση του εξοπλισμού αυτού καταγράψτε τα στοιχεία αναγνώρισης του προϊόντος που βρίσκονται στην ετικέτα ID στο «Ημερολόγιο επιθεώρησης και συντήρησης» (Πίνακας 2) στο πίσω μέρος αυτού του εγχειριδίου.

### ΠΕΡΙΓΡΑΦΗ ΠΡΟΪΟΝΤΟΣ:

Το σχήμα 1 επιδεικνύει το συρόμενο σύστημα αγκύρωσης δοκού DBI-SALA™ της 3M™. Το συρόμενο σύστημα αγκύρωσης δοκού είναι ένας σύνδεσμος αγκίστρωσης μονού σημείου για προσωπικά συστήματα ανάσχεσης πτώσης ή προσωπικά συστήματα περιορισμού πτώσης που είναι σχεδιασμένο να προσαρτάται σε δοκό.

Το σχήμα 2 επιδεικνύει τα εξαρτήματα του συρόμενου συστήματος αγκύρωσης δοκού. Δείτε τον Πίνακα 1 για τις Προδιαγραφές των Εξαρτημάτων. Το συρόμενο σύστημα αγκύρωσης δοκού αποτελείται από μια μπάρα υποστήριξης (Α) με εγκοπές με έναν περιστρεφόμενο κρίκο συνδέσμου (Β) και προσαρμόσιμα άκρα γάντζων (Γ) που γαντζώνονται σε κάθε άκρο μιας φλάτζας δοκού με διακόπτες εμπλοκής (Δ) που κλειδώνουν στις εγκοπές της μπάρας υποστήριξης. Το συρόμενο σύστημα αγκύρωσης δοκού σύρεται ομαλά στη δοκό με προστατευτικά επιθέματα (Ε). Ένα σχοινί ή μια συσκευή αυτο-ανάκλησης (SRD) είναι συνδεδεμένη μεταξύ του περιστρεφόμενου κρίκου συνδέσμου στο συρόμενο σύστημα αγκύρωσης δοκού και το κατάλληλο εξάρτημα προσάρτησης στην εξάρτηση πλήρους σώματος του χρήστη.

**Πίνακας 1 – Προδιαγραφές**

Προδιαγραφές συστήματος:				
<b>Δυνατότητα:</b>	1 άτομο με συνδυασμένο βάρος (συμπεριλαμβανομένων των ρούχων, εργαλείων κ.λπ.) όχι άνω των: 140 kg (310 lbs) για το πρότυπο EN 795.			
<b>Δύναμη αγκίστρωσης:</b>	Η απαιτούμενη δύναμη αγκίστρωσης εξαρτάται από την εφαρμογή: <b>Δομή αγκίστρωσης:</b> Η δομή στην οποία τοποθετείται ο σύνδεσμος αγκίστρωσης πρέπει να έχει τη δυνατότητα να υποβληθεί σε δυνάμεις στις προσδοκώμενες κατευθύνσεις φόρτωσης. Κάθε θέση σημείου αγκίστρωσης πρέπει να έχει τη δυνατότητα να αντέχει στις εξής τιμές: <table border="1" style="width: 100%; border-collapse: collapse;"> <tr> <td style="text-align: center;"><b>EN 795</b></td> <td style="text-align: center;">12 kN (2698 lb)</td> </tr> </table>		<b>EN 795</b>	12 kN (2698 lb)
<b>EN 795</b>	12 kN (2698 lb)			
<b>Θερμοκρασία σέρβις</b>	-40°C (-40°F) Ελάχιστη θερμοκρασία σέρβις			
<b>Δύναμη ρίξης συνδέσμου αγκίστρωσης:</b>	22 kN (5000 lbs) Ελάχιστη δύναμη ρίξης			
<b>Διαστάσεις:</b>	Δείτε το σχήμα 1 για τις διαστάσεις του κάθε μοντέλου συρόμενου συστήματος αγκύρωσης δοκού.			
<b>Βάρος:</b>	Δείτε το σχήμα 1 για το βάρος του κάθε μοντέλου συρόμενου συστήματος αγκύρωσης δοκού.			
Προδιαγραφές εξαρτημάτων:				
Αναφορά σχήματος 2	Εξάρτημα	Υλικά		
Ⓐ	Μπάρα υποστήριξης	Κράμα αλουμινίου		
Ⓑ	Κρίκος συνδέσμου	Ατσάλινο κράμα		
Ⓒ	Άκρα γάντζων	Κράμα αλουμινίου		
Ⓓ	Διακόπτες εμπλοκής	Ατσάλινο κράμα		
Ⓔ	Προστατευτικά επιθέματα	Νάιλον		

**1 Πιστοποιημένο πρόσωπο:** Ένα πρόσωπο με αναγνωρισμένο πτυχίο ή επαγγελματικό πιστοποιητικό και εκτεταμένη εμπειρία στην προστασία από πτώσεις. Αυτό το άτομο πρέπει να έχει ικανότητες σχεδιασμού, ανάλυσης, αξιολόγησης και προδιαγραφών στην προστασία από πτώσεις.

## 1.0 ΕΦΑΡΜΟΓΗ ΠΡΟΪΟΝΤΟΣ

- 1.1 ΣΚΟΠΟΣ:** Οι σύνδεσμοι αγκίστρωσης είναι σχεδιασμένοι για να προσφέρουν σημεία σύνδεσης αγκίστρωσης για συστήματα ανάσχεσης πτώσης<sup>1</sup> ή συστήματα περιορισμού πτώσης<sup>2</sup>: Περιορισμός, τοποθέτηση εργασίας, ανάβαση προσωπικού, διάσωση, κ.λπ.

**Μόνο προστασία πτώσης:** Αυτός ο σύνδεσμος αγκίστρωσης είναι για σύνδεση του εξοπλισμού προστασίας από πτώση. Μην συνδέετε εξοπλισμό ανύψωσης με αυτόν τον σύνδεσμο αγκίστρωσης.

- 1.2 ΠΡΟΤΥΠΑ:** Ο σύνδεσμος αγκίστρωσής σας συμμορφώνεται με τα εθνικά και τοπικά πρότυπα που καταγράφονται στο εμπρόσθιο φύλλο αυτών των οδηγιών. Εάν το προϊόν μεταπωληθεί εκτός της αρχικής χώρας προορισμού, ο μεταπωλητής πρέπει να παρέχει οδηγίες για τη χρήση, τη συντήρηση, την περιοδική εξέταση και για την επισκευή στη γλώσσα της χώρας στην οποία πρόκειται να χρησιμοποιηθεί το προϊόν.
- 1.3 ΕΠΙΒΛΕΨΗ:** Η χρήση αυτού του εξοπλισμού θα πρέπει να επιβλέπεται από ένα Πιστοποιημένο Πρόσωπο<sup>3</sup>.
- 1.4 ΕΚΠΑΙΔΕΥΣΗ:** Αυτός ο εξοπλισμός προορίζεται για χρήση από άτομα που είναι εκπαιδευμένα στη σωστή εφαρμογή του. Το παρόν εγχειρίδιο πρέπει να χρησιμοποιείται ως μέρος ενός προγράμματος κατάρτισης των εργαζομένων, όπως απαιτείται από το πρότυπο CE. Αποτελεί ευθύνη των χρηστών και τεχνικών εγκατάστασης αυτού του εξοπλισμού να διασφαλίσουν ότι είναι εξοικειωμένοι με αυτές τις οδηγίες, έχουν εκπαιδευτεί στη σωστή φροντίδα και χρήση αυτού του εξοπλισμού και γνωρίζουν τα χαρακτηριστικά λειτουργίας, τους περιορισμούς εφαρμογής και τις συνέπειες της ακατάλληλης χρήσης αυτού του εξοπλισμού.
- 1.5 ΣΧΕΔΙΟ ΔΙΑΣΩΣΗΣ:** Κατά τη χρήση αυτού του εξοπλισμού και τη σύνδεση των υποσυστημάτων, ο εργοδότης πρέπει να διαθέτει ένα σχέδιο διάσωσης και τα μέσα για να το εφαρμόσει, όπως και να το κοινοποιήσει στους χρήστες, σε εξουσιοδοτημένα άτομα <sup>4</sup>και σε διασώστες<sup>5</sup>. Συνιστάται μία εκπαιδευμένη επιτόπια ομάδα διάσωσης. Τα μέλη της ομάδας θα πρέπει να είναι εφοδιασμένα με τον εξοπλισμό και τις τεχνικές για να εκτελέσουν μια επιτυχή διάσωση. Η εκπαίδευση πρέπει να παρέχεται σε περιοδική βάση ώστε να εξασφαλιστεί η επάρκεια γνώσεων των υπευθύνων της διάσωσης.
- 1.6 ΣΥΧΝΟΤΗΤΑ ΕΠΙΘΕΩΡΗΣΗΣ:** Ο σύνδεσμος αγκίστρωσης θα πρέπει να ελέγχεται από το χρήστη πριν από κάθε χρήση και επιπλέον από ένα αρμόδιο άτομο εκτός από το χρήστη για διάστημα λιγότερο του ενός έτους.<sup>6</sup> Οι διαδικασίες επιθεώρησης περιγράφονται στην ενότητα «*Ημερολόγιο Επιθεώρησης και Συντήρησης*». Τα αποτελέσματα της επιθεώρησης κάθε Πιστοποιημένου Προσώπου θα πρέπει να καταγράφονται σε αντίγραφα του «*Ημερολογίου Επιθεώρησης και Συντήρησης*».
- 1.7 ΜΕΤΑ ΑΠΟ ΜΙΑ ΠΤΩΣΗ:** Αν ο σύνδεσμος αγκίστρωσης υποβληθεί στις δυνάμεις ανάσχεσης μιας πτώσης, πρέπει να αφαιρεθεί αμέσως από το σύστημα, να επισημανθεί με την ένδειξη «ΑΠΑΓΟΡΕΥΕΤΑΙ Η ΧΡΗΣΗ» και, στη συνέχεια, να καταστραφεί.

## 2.0 ΑΠΑΙΤΗΣΕΙΣ ΣΥΣΤΗΜΑΤΟΣ

- 2.1 ΣΗΜΕΙΟ ΑΓΚΙΣΤΡΩΣΗΣ:** Οι απαιτήσεις αγκίστρωσης ποικίλλουν ανάλογα με το σύστημα προστασίας από πτώση. Η δομή στην οποία τοποθετείται ή προσαρτάται ο σύνδεσμος αγκίστρωσης πρέπει να πληροί τις προδιαγραφές που καθορίζονται στον Πίνακα 1.
- 2.2 ΠΡΟΣΩΠΙΚΟ ΣΥΣΤΗΜΑ ΑΝΑΣΧΕΣΗΣ ΠΤΩΣΗΣ:** Το σχήμα 1 δείχνει την εφαρμογή αυτού του συνδέσμου αγκίστρωσης. Τα Προσωπικά Συστήματα Ανάσχεσης Πτώσης (PFAS) που χρησιμοποιούνται με το σύστημα, πρέπει να πληρούν τα ισχύοντα πρότυπα, κώδικες και απαιτήσεις προστασίας από πτώση. Τα PFAS πρέπει να διαθέτουν εξάρτηση πλήρους σώματος και να περιορίζουν τις δυνάμεις ανάσχεσης στις εξής τιμές:

	Μέγιστη δύναμη ανάσχεσης	Ελεύθερη πτώση
Σύστημα PFAS με σχοινί απορρόφησης κραδασμών	6 kN (1,350 lb)	Ανατρέξτε στις οδηγίες που περιλαμβάνονται με το σχοινί σας ή το SRD για περιορισμούς ελεύθερης πτώσης.
PFAS με συσκευή αυτο-ανάκλησης (SRD)	6 kN (1,350 lb)	

- 2.3 ΔΙΑΔΡΟΜΗ ΠΤΩΣΗΣ ΚΑΙ ΤΑΧΥΤΗΤΑ ΑΣΦΑΛΙΣΗΣ ΑΥΤΟ-ΑΝΑΚΛΗΣΗΣ (SRD):** Απαιτείται ανεμπόδιστη διαδρομή για να εξασφαλιστεί θετική ασφάλιση ενός SRD. Θα πρέπει να αποφεύγονται οι εργασίες που δεν περιλαμβάνουν ανοιχτό χώρο για ελεύθερη πτώση. Η εργασία σε περιορισμένους ή στενούς χώρους δεν θα επιτρέψει στο σώμα να αναπτύξει την απαραίτητη ταχύτητα, ώστε να ασφαλίσει το σύστημα SRD. Η εργασία σε υλικά που μετατοπίζονται αργά, όπως η άμμος ή κοκκώδη υλικά/χαλίκια δεν θα επιτρέψει την ανάπτυξη αρκετής ταχύτητας για να ασφαλίσει το σύστημα SRD.
- 2.4 ΚΙΝΔΥΝΟΙ:** Η χρήση αυτού του εξοπλισμού σε περιοχές με περιβαλλοντικούς κινδύνους μπορεί να απαιτεί πρόσθετες προφυλάξεις για την αποτροπή τραυματισμού του χρήστη ή ζημιάς στον εξοπλισμό. Οι κίνδυνοι μπορεί να περιλαμβάνουν, χωρίς περιορισμό: υψηλή θερμότητα, καυστικά χημικά, διαβρωτικά περιβάλλοντα, ηλεκτροφόρα καλώδια υψηλής τάσης, εκρηκτικά ή τοξικά αέρια, κινητά μηχανήματα, αιχμηρές προεξοχές ή υψωμένα αντικείμενα που μπορεί να πέσουν και να χτυπήσουν το χρήστη ή το Προσωπικό Σύστημα Ανάσχεσης Πτώσης.

- 1 Σύστημα ανάσχεσης πτώσης:** Μια συλλογή εξοπλισμού προστασίας από πτώση που είναι διαμορφωμένη να διακόπτει μια ελεύθερη πτώση.
- 2 Σύστημα περιορισμού πτώσης:** Μια συλλογή εξοπλισμού προστασίας από πτώση που είναι διαμορφωμένη να εμποδίσει το κέντρο βάρους του ατόμου να αντιμετωπίσει κίνδυνο πτώσης.
- 3 Αρμόδιο πρόσωπο:** Το πρόσωπο που είναι σε θέση να αναγνωρίσει υπάρχοντες και προβλέψιμους κινδύνους στο περιβάλλον ή σε συνθήκες εργασίας που είναι ανθυγιεινές, επισφαλείς ή επικίνδυνες για τους εργαζομένους, και ο οποίος έχει άδεια να λάβει άμεσα διορθωτικά μέτρα για την εξάλειψή τους.
- 4 Εξουσιοδοτημένο πρόσωπο:** Για τους σκοπούς των προτύπων Z359, ένα πρόσωπο που έχει οριστεί από τον εργοδότη να εκτελεί καθήκοντα σε μια θέση όπου το πρόσωπο θα εκτεθεί σε κίνδυνο πτώσης.
- 5 Διασώστης:** Πρόσωπο ή πρόσωπα διαφορετικά από το υποκείμενο της διάσωσης που πραγματοποιούν μια υποβοηθούμενη διάσωση με τη λειτουργία ενός συστήματος διάσωσης.
- 6 Συχνότητα επιθεώρησης:** Ακράειες συνθήκες εργασίας (σκληρό περιβάλλον, παρατεταμένη χρήση, κ.λπ.) ενδέχεται να επιβάλλουν συχνότερες επιθεωρήσεις από τα αρμόδια πρόσωπα.

- 2.5 ΑΠΑΙΤΟΥΜΕΝΗ ΑΠΟΣΤΑΣΗ ΑΝΑΣΧΕΣΗΣ ΠΤΩΣΗΣ:** Το σχήμα 3 απεικονίζει εξαρτήματα ενός συστήματος ανάσχεσης πτώσης. Πρέπει να υπάρχει επαρκής απόσταση πτώσης (FC) για την ανάσχεση μιας πτώσης πριν ο χρήστης έρθει σε επαφή με το έδαφος ή άλλο εμπόδιο. Η επαρκής απόσταση επηρεάζεται από έναν αριθμό παραγόντων που συμπεριλαμβάνουν: Τη θέση αγκίστρωσης, (Α) το μήκος σχοινιού, (Β) την απόσταση επιβράδυνσης σχοινιού ή τη μέγιστη απόσταση ανάσχεσης SRD, (Γ) την έκταση εξάρτησης και το μήκος και την εγκατάσταση κρίκου D/συνδέσμου. Ανατρέξτε στις οδηγίες που περιλαμβάνονται με το υποσύστημα ανάσχεσης πτώσης σχετικά με τον υπολογισμό επαρκούς απόστασης πτώσης.
- 2.6 ΠΤΩΣΕΙΣ ΜΕ ΤΑΛΑΝΤΩΣΗ:** Πτώσεις με ταλάντωση συμβαίνουν όταν το σημείο αγκίστρωσης δεν βρίσκεται ακριβώς πάνω από το σημείο της πτώσης (δείτε το σχήμα 4). Η δύναμη που αναπτύσσεται μετά από πρόσκρουση σε αντικείμενο κατά τη διάρκεια πτώσης με ταλάντωση ενδέχεται να προκαλέσει σοβαρό τραυματισμό ή θάνατο. Περιορίστε τις πτώσεις με ταλάντωση, δουλεύοντας, όσο αυτό είναι δυνατό, ακριβώς κάτω από το σημείο αγκίστρωσης. Μην επιτρέπετε πτώση με ταλάντωση εάν υπάρχει πιθανότητα τραυματισμού. Οι πτώσεις με ταλάντωση θα αυξήσουν σημαντικά τον ελεύθερο χώρο που απαιτείται κατά τη χρήση συσκευής αυτο-ανάκλησης ή άλλου συνδετικού υποσυστήματος μεταβλητού μήκους.
- 2.7 ΣΥΜΒΑΤΟΤΗΤΑ ΕΞΑΡΤΗΜΑΤΩΝ:** Ο εξοπλισμός της 3M είναι σχεδιασμένος για χρήση μόνο με τα εγκεκριμένα εξαρτήματα και υποσυστήματα της 3M. Η αλλαγή και η αντικατάσταση με μη εγκεκριμένα εξαρτήματα ή υποσυστήματα μπορεί να θέσει σε κίνδυνο τη συμβατότητα του εξοπλισμού και να επηρεάσει την ασφάλεια και την αξιοπιστία ολόκληρου του συστήματος.
- 2.8 ΣΥΜΒΑΤΟΤΗΤΑ ΣΥΝΔΕΣΜΩΝ:** Οι σύνδεσμοι θεωρούνται ότι είναι συμβατοί με τα συνδετικά στοιχεία όταν έχουν σχεδιαστεί για να δουλεύουν μαζί με τέτοιο τρόπο, ώστε το μέγεθος και το σχήμα τους να μην ανοίγουν τον μηχανισμό πύλης τους ανεξάρτητα από τον προσανατολισμό τους. Επικοινωνήστε με τη 3M, εάν έχετε ερωτήσεις σχετικά με τη συμβατότητα.
- Οι σύνδεσμοι πρέπει να συμμορφώνονται με το πρότυπο EN 362. Οι σύνδεσμοι πρέπει να είναι συμβατοί με την αγκίστρωση ή με άλλα εξαρτήματα του συστήματος. Μην χρησιμοποιείτε μη συμβατό εξοπλισμό. Οι μη συμβατοί σύνδεσμοι μπορεί να απεμπλακούν ακούσια (δείτε το σχήμα 5). Οι σύνδεσμοι πρέπει να είναι συμβατοί σε μέγεθος, σχήμα και αντοχή. Αν το συνδετικό στοιχείο, στο οποίο προσαρτάται ο γάντζος ασφαλείας (όπως απεικονίζεται) ή το караμπίνερ, είναι μικρότερο μεγέθους ή έχει ακανόνιστο σχήμα, θα μπορούσε να προκύψει μια κατάσταση όπου το συνδετικό στοιχείο εφαρμόζει μια δύναμη στην πύλη του γάντζου ασφαλείας ή του караμπίνερ (Α). Αυτή η δύναμη μπορεί να προκαλέσει το άνοιγμα της πύλης (Β), επιτρέποντας στον γάντζο ασφαλείας ή στο караμπίνερ να απεμπλακούν από το συνδετικό στοιχείο (Γ).
- 2.9 ΔΗΜΙΟΥΡΓΙΑ ΣΥΝΔΕΣΕΩΝ:** Οι γάντζοι ασφαλείας και τα караμπίνερ που χρησιμοποιούνται με τον εξοπλισμό αυτό πρέπει να κλειδώνουν αυτόματα. Βεβαιωθείτε ότι όλοι οι σύνδεσμοι είναι συμβατοί σε μέγεθος, σχήμα και αντοχή. Μην χρησιμοποιείτε μη συμβατό εξοπλισμό. Εξασφαλίστε ότι όλοι οι σύνδεσμοι είναι πλήρως κλειστοί και κλειδωμένοι.
- Οι σύνδεσμοι της 3M (γάντζοι ασφαλείας και караμπίνερ) έχουν σχεδιαστεί για να χρησιμοποιούνται αποκλειστικά σύμφωνα με τις προδιαγραφές των οδηγιών χρήστη του κάθε προϊόντος. Δείτε το σχήμα 6 για παραδείγματα ακατάλληλων συνδέσεων. Μην συνδέετε γάντζους ασφαλείας και караμπίνερ:
- Με κρίκο D στον οποίο είναι συνδεδεμένος ένας άλλος σύνδεσμος.
  - Με τρόπο που θα μπορούσε να έχει ως αποτέλεσμα φορτίο στην πύλη. Γάντζοι ασφαλείας με μεγάλο λαιμό δεν πρέπει να συνδέονται με κρίκους D κανονικού μεγέθους ή με παρόμοια αντικείμενα, επειδή αυτό προκαλεί φορτίο στην πύλη εάν ο γάντζος ή ο κρίκος D στρίψει ή περιστραφεί, εκτός εάν ο γάντζος ασφαλείας είναι εξοπλισμένος με πύλη 16 kN (3.600 λιβρών). Ελέγξτε το σημάδι του γάντζου ασφαλείας για να βεβαιωθείτε ότι είναι κατάλληλο για χρήση.
  - Σε περίπτωση λανθασμένης εμπλοκής, όπου τα χαρακτηριστικά που προεξέχουν από τον γάντζο ασφαλείας ή το караμπίνερ πιαστούν στο άγκιστρο και χωρίς οπτική επιβεβαίωση, φαίνεται να εμπλέκονται πλήρως στο άκρο του άγκιστρου.
  - Μεταξύ τους.
  - Απευθείας σε ιμάντα ή λουρί ή σύστημα ανάληψης οριζόντιων φορτίων (εκτός αν οι οδηγίες του κατασκευαστή τόσο για το λουρί όσο και για τον σύνδεσμο επιτρέπουν ειδικά μια τέτοια σύνδεση).
  - Με οποιοδήποτε αντικείμενο που έχει τέτοιο σχήμα ή τέτοιες διαστάσεις για να μην κλείνει και κλειδώνει ο γάντζος ασφαλείας και το караμπίνερ ή για να μην υπάρξει κύλιση.
  - Με τρόπο που να μην επιτρέπει τη σωστή ευθυγράμμιση του συνδέσμου όταν βρίσκεται υπό φορτίο.

### 3.0 ΕΓΚΑΤΑΣΤΑΣΗ

Η εγκατάσταση του συρόμενου συστήματος αγκύρωσης δοκού DBI-SALA πρέπει να επιβλέπεται από αρμόδιο πρόσωπο<sup>1</sup>. Η εγκατάσταση πρέπει να πιστοποιείται από ένα Πιστοποιημένο Πρόσωπο<sup>2</sup> για ικανοποίηση των κριτηρίων για Πιστοποιημένη Αγκίστρωση ή για τη δυνατότητα υποστήριξης των ενδεχόμενων δυνάμεων που θα μπορούσαν να παρουσιαστούν κατά τη διάρκεια μιας πτώσης.

**3.1 ΣΧΕΔΙΑΣΜΟΣ:** Σχεδιάστε το σύστημα προστασίας από τις πτώσεις πριν την εγκατάσταση του συρόμενου συστήματος αγκύρωσης δοκού. Υπολογίστε όλους τους παράγοντες που μπορεί να επηρεάσουν την ασφάλειά σας πριν, κατά τη διάρκεια και μετά από μια πτώση. Λάβετε υπόψη όλες τις απαιτήσεις, τους περιορισμούς και τις προδιαγραφές που καθορίζονται στην Ενότητα 2 και τον Πίνακα 1.

**Στοπ άκρων δοκού:** Σύμφωνα με τις απαιτήσεις της ισχύος αγκίστρωσης στον Πίνακα 1, πρέπει να υπάρχουν στοπ άκρων δοκού και στα δύο άκρα της δοκού. Αν η δοκός είναι επικλινή ή κάθετη, το συρόμενο σύστημα αγκύρωσης δοκού πρέπει να είναι δίπλα στο κάτω στοπ άκρων δοκού για να εμποδίζεται τυχόν πτώση του συστήματος.

**3.2 ΕΓΚΑΤΑΣΤΑΣΗ ΤΟΥ ΣΥΡΟΜΕΝΟΥ ΣΥΣΤΗΜΑΤΟΣ ΑΓΚΥΡΩΣΗΣ ΔΟΚΟΥ:** Το συρόμενο σύστημα αγκύρωσης δοκού μπορεί να εγκατασταθεί σε δοκούς που πληρούν τις απαιτήσεις αγκίστρωσης που καθορίζονται στον Πίνακα 1. Δείτε το σχήμα 1 για το επιτρεπόμενο πλάτος (A) και πάχος (B) της φλάντζας δοκού για κάθε μοντέλο συρόμενου συστήματος αγκύρωσης δοκού. Το συρόμενο σύστημα αγκύρωσης δοκού μπορεί να τοποθετείται στο πάνω μέρος (A), στο κάτω μέρος (B) ή στα πλαϊνά (Γ ή Δ) της δοκού (δείτε το Σχήμα 7). Το σχήμα 8 επιδεικνύει την εγκατάσταση του συρόμενου συστήματος αγκύρωσης δοκού. Για να εγκαταστήσετε το συρόμενο σύστημα αγκύρωσης δοκού:

1. Πατήστε τον διακόπτη απελευθέρωσης εμπλοκής σε κάθε γάντζο άκρου, προσαρμόστε τους γάντζους άκρων έτσι ώστε να ταιριάζουν στη φλάντζα της δοκού, με τον δακτύλιο συνδέσμου κεντραρισμένο μεταξύ των γάντζων άκρων και, μετά, ελευθερώστε τον διακόπτη απελευθέρωσης εμπλοκής.
2. Τοποθετήστε το συρόμενο σύστημα αγκύρωσης δοκού στη φλάντζα της δοκού με τον κρίκο συνδέσμου κεντραρισμένο στη δοκό. Σύρετε τους γάντζους άκρων προς τα μέσα μέχρι να σφίξουν στη φλάντζα της δοκού.
3. Με τους διακόπτες εμπλοκής στη θέση εμπλοκής, μετακινήστε τους γάντζους άκρων ελαφρά προς τα μέσα ή προς τα έξω, για να διασφαλίσετε ότι οι καστανίες εμπλοκής κλειδώνουν ασφαλώς με τα δόντια της μπάρας.

**Κενό γάντζου άκρων:** Το συνολικό κενό μεταξύ των γάντζων άκρων και της φλάντζας της δοκού δεν πρέπει να είναι μεγαλύτερο από 14,3 mm (9/16 in). Δείτε το σχήμα 1.

4. Επιθεωρήστε την εγκατάστασή σας για να διασφαλίσετε ότι το συρόμενο σύστημα αγκύρωσης δοκού δεν μπορεί να βγει από τη δοκό οποιαδήποτε στιγμή, σε όλο το μήκος της επιθυμητής διαδρομής κίνησης ή στα σημεία ένωσης ή στα άκρα της δοκού. Τα σημεία ένωσης μεταξύ των μερών της δοκού πρέπει να είναι ευθυγραμμισμένα με μέγιστο κενό 12,7 mm (1/2 in).

### 4.0 ΧΡΗΣΗ

**4.1 ΠΡΙΝ ΑΠΟ ΚΑΘΕ ΧΡΗΣΗ:** Βεβαιωθείτε ότι ο χώρος εργασίας σας και το Προσωπικό Σύστημα Ανάσχεσης Πτώσης (PFAS) πληρούν όλα τα κριτήρια που ορίζονται στην Ενότητα 2 και υπάρχει ένα επίσημο σχέδιο διάσωσης. Επιθεωρήστε το συρόμενο σύστημα αγκύρωσης δοκού σύμφωνα με τα σημεία επιθεώρησης «Χρήση» που καθορίζονται στο «Ημερολόγιο Επιθεώρησης και Συντήρησης» (Πίνακας 2). Μην χρησιμοποιείτε το σύστημα, εάν η επιθεώρηση αποκάλυψε επισφαλείς συνθήκες ή ελαττώματα. Αφαιρέστε το σύστημα από την υπηρεσία και καταστρέψτε το ή επικοινωνήστε με την 3M σχετικά με την αντικατάσταση ή επισκευή του.

**4.2 ΣΥΝΔΕΣΕΙΣ ΑΝΑΣΧΕΣΗΣ ΠΤΩΣΗΣ:** Το συρόμενο σύστημα αγκύρωσης δοκού χρησιμοποιείται με εξάρτηση πλήρους σώματος και σχοινί απορρόφησης ενέργειας ή συσκευή αυτο-ανάκλησης (SRD). Το σχήμα 9 επιδεικνύει τη σύνδεση του σχοινού (A) ή της SRD μεταξύ της εξάρτησης και του συρόμενου συστήματος αγκύρωσης δοκού. Συνδέστε το σχοινί ή την SRD μεταξύ του κρίκου D στο συρόμενο σύστημα αγκύρωσης δοκού και τον πίσω κρίκο D στην εξάρτηση, σύμφωνα με τις οδηγίες που περιλαμβάνονται με το σχοινί ή την SRD.

### 5.0 ΕΠΙΘΕΩΡΗΣΗ

**5.1 ΣΥΧΝΟΤΗΤΑ ΕΠΙΘΕΩΡΗΣΗΣ:** Το συρόμενο σύστημα αγκύρωσης δοκού πρέπει να υπόκειται σε έλεγχο στα διαστήματα που ορίζονται στην Ενότητα 1. Οι διαδικασίες επιθεώρησης περιγράφονται στην ενότητα «Ημερολόγιο Επιθεώρησης και Συντήρησης» (Πίνακας 2). Επιθεωρήστε όλα τα άλλα συστατικά στοιχεία του συστήματος ανάσχεσης πτώσης σύμφωνα με τις συχνότητες και τις διαδικασίες που ορίζονται στις οδηγίες του κατασκευαστή.

Ακραίες συνθήκες εργασίας (σκληρά περιβάλλοντα, παρατεταμένη χρήση, κ.λπ.) ενδέχεται να επιβάλλουν συχνότερες επιθεωρήσεις από τα αρμόδια πρόσωπα.

Ορισμένα συρόμενα συστήματα αγκύρωσης δοκού είναι εξοπλισμένα με μια πινακίδα Προσδιορισμού Ραδιοφωνικής Συχνότητας (Radio Frequency Identification (RFID)). Η ετικέτα RFID μπορεί να χρησιμοποιηθεί σε συνδυασμό με μια φορητή συσκευή ανάγνωσης για την απλοποίηση της επιθεώρησης και της απογραφής και την παροχή καταλόγων για τον εξοπλισμό συγκράτησης πτώσης.

**1 Αρμόδιο πρόσωπο:** Το πρόσωπο που είναι σε θέση να αναγνωρίσει υπάρχοντες και προβλέψιμους κινδύνους στο περιβάλλον ή σε συνθήκες εργασίας που είναι ανθυγιεινές, επισφαλές ή επικίνδυνες για τους εργαζομένους, και ο οποίος έχει άδεια να λάβει άμεσα διορθωτικά μέτρα για την εξάλειψή τους.

**2 Πιστοποιημένο πρόσωπο:** Ένα πρόσωπο με αναγνωρισμένο πτυχίο ή επαγγελματικό πιστοποιητικό και εκτεταμένη εμπειρία στην προστασία από πτώσεις. Αυτό το άτομο πρέπει να έχει ικανότητες σχεδιασμού, ανάλυσης, αξιολόγησης και προδιαγραφών στην προστασία από πτώσεις.

**5.2 ΕΛΑΤΤΩΜΑΤΑ:** Εάν κατά τον έλεγχο διαπιστωθεί μία επισφαλής ή ελαττωματική κατάσταση, αφαιρέστε το συρόμενο σύστημα αγκύρωσης δοκού αμέσως από την υπηρεσία και επικοινωνήστε με τη 3M για αντικατάσταση ή επισκευή. Μην προσπαθήσετε να επιδιορθώσετε το σύστημα ανάσχεσης πτώσης.

**Μόνο εξουσιοδοτημένες επιδιορθώσεις:** Μόνο η 3M ή γραπτός εξουσιοδοτημένοι αντιπρόσωποι της μπορούν να κάνουν επισκευές σε αυτόν τον εξοπλισμό.

**5.3 ΔΙΑΡΚΕΙΑ ΖΩΗΣ ΤΟΥ ΠΡΟΙΟΝΤΟΣ:** Η διάρκεια ζωής του συστήματος ανάσχεσης πτώσης εξαρτάται από τις εργασιακές συνθήκες και τη συντήρηση. Εφόσον το προϊόν πληροί τα κριτήρια επιθεώρησης, μπορεί να παραμείνει σε λειτουργία.

## 6.0 ΣΥΝΤΗΡΗΣΗ, ΕΠΙΣΚΕΥΗ, ΑΠΟΘΗΚΕΥΣΗ

**6.1 ΚΑΘΑΡΙΣΜΟΣ:** Καθαρίζετε περιοδικά τα μεταλλικά εξαρτήματα του συρόμενου συστήματος αγκύρωσης δοκού με μαλακή βούρτσα, χλιαρό νερό και ένα ήπιο διάλυμα σαπουνιού. Βεβαιωθείτε ότι τα εξαρτήματα έχουν ξεπλυθεί καλά με άφθονο καθαρό νερό.

**6.2 ΑΦΑΙΡΕΣΗ ΚΑΙ ΕΓΚΑΤΑΣΤΑΣΗ ΠΡΟΣΤΑΤΕΥΤΙΚΩΝ ΕΠΙΘΕΜΑΤΩΝ:** Τα προστατευτικά επιθέματα είναι τα μόνα εξαρτήματα του συρόμενου συστήματος αγκύρωσης δοκού που μπορούν να συντηρηθούν από τον χρήστη. Το σχήμα 10 επιδεικνύει την αντικατάσταση των προστατευτικών επιθεμάτων. Αν στην επιθεώρηση εντοπιστούν ρωγμές ή φθορά στα επιθέματα, εκτελέστε τα εξής βήματα για να αφαιρέσετε τα παλιά επιθέματα και να τοποθετήσετε τα νέα επιθέματα αντικατάστασης.

1. Εισαγάγετε ένα κατσαβίδι πλακέ μεταξύ του πάνω μέρους του πλαστικού επιθέματος και του σφιγκτήρα άκρου.
2. Σύρετε γύρω γύρω το κατσαβίδι μέχρι το μπροστινό μέρος του προστατευτικού επιθέματος και τραβήξτε το άκρο. Εισαγάγετε το κατσαβίδι μεταξύ του κάτω μέρους του πλαστικού επιθέματος και του σφιγκτήρα άκρου. Σύρετε γύρω γύρω το κατσαβίδι μέχρι το μπροστινό μέρος του προστατευτικού επιθέματος και τραβήξτε το άκρο.
3. Τραβήξτε το κάτω μέρος του προστατευτικού επιθέματος και αφαιρέστε το από τον σφιγκτήρα άκρου. Απορρίψτε το παλιό προστατευτικό επίθεμα.
4. Τοποθετήστε το νέο προστατευτικό επίθεμα στον σφιγκτήρα άκρου. Εφαρμόστε πίεση για να κουμπώσει το νέο προστατευτικό επίθεμα στη θέση του.

**6.3 ΣΕΡΒΙΣ:** Μόνο η 3M ή γραπτός εξουσιοδοτημένοι αντιπρόσωποι της 3M μπορούν να κάνουν επισκευές σε αυτόν τον εξοπλισμό. Αν το συρόμενο σύστημα αγκύρωσης δοκού υποβληθεί σε δυνάμεις πτώσης, πρέπει να αφαιρεθεί αμέσως από το σύστημα, να επισημανθεί με την ένδειξη «ΑΠΑΓΟΡΕΥΕΤΑΙ Η ΧΡΗΣΗ» και, στη συνέχεια, να καταστραφεί. Εάν κατά τον έλεγχο διαπιστωθεί μία επισφαλής ή ελαττωματική κατάσταση, αφαιρέστε το σύστημα από την υπηρεσία και επικοινωνήστε με τη 3M για αντικατάσταση ή επισκευή.

**6.4 ΑΠΟΘΗΚΕΥΣΗ ΚΑΙ ΜΕΤΑΦΟΡΑ:** Όταν δεν το χρησιμοποιείτε, αποθηκεύστε και μεταφέρετε το συρόμενο σύστημα αγκύρωσης δοκού και το σχετιζόμενο εξοπλισμό προστασίας από πτώσεις σε δροσερό, στεγνό και καθαρό χώρο χωρίς να έρχεται σε επαφή με απευθείας ηλιακό φως. Να αποφεύγετε περιοχές όπου ενδέχεται να υπάρχουν ατμοί από χημικές ουσίες. Επιθεωρείτε σχολαστικά τα εξαρτήματα μετά από παρατεταμένη αποθήκευση.

## 7.0 ΕΤΙΚΕΤΕΣ

Το σχήμα 11 επιδεικνύει τις ετικέτες του συρόμενου συστήματος αγκύρωσης δοκού. Οι ετικέτες πρέπει να αντικαθίστανται αν δεν είναι πλήρως αναγνώσιμες. Οι πληροφορίες που παρέχονται σε κάθε ετικέτα είναι οι εξής:

Ⓐ	Ετικέτα RFID
Ⓑ	Ετικέτα προειδοποίησης: 1) Επιθεωρήστε το συρόμενο σύστημα αγκύρωσης δοκού. 2) Μην επιδιορθώνετε. Η συντήρηση αυτού του προϊόντος πρέπει να πραγματοποιείται από εξουσιοδοτημένο κέντρο σέρβις. 3) Εύρος θερμοκρασιών -40°C - +60°C. 4) Αποδεκτές τοποθεσίες εγκατάστασης και εύρη εργασίας. Να εγκαθίσταται μόνο σε κάθετες και οριζόντες δοκούς με στοπ άκρων. 5) Αποθηκεύστε τα συρόμενα συστήματα αγκύρωσης δοκού σε δροσερό, στεγνό και καθαρό χώρο χωρίς να έρχονται σε επαφή με το ηλιακό φως. 6) Μην αφαιρείτε τις ετικέτες από το συρόμενο σύστημα αγκύρωσης δοκού. 7α) Να μην χρησιμοποιείται σε δοκούς χωρίς στοπ άκρων. 7β) Να εγκαθίσταται σωστά σε δοκούς με στοπ άκρων. 8α) Να εγκαθίσταται σε δομές που έχουν αξιολογηθεί για 12kN ή περισσότερα. 8β) Να μην χρησιμοποιείται σε δομές που έχουν αξιολογηθεί για λιγότερα από 12kN. 9) Να μην χρησιμοποιείται σε κεκλιμένες δοκούς.
Ⓒ	10) Διαβάστε τις οδηγίες του προϊόντος. 11) Μέγιστη δυνατότητα 140 kg (310 lbs). 12) Αναγνωριστικό ενημερωμένου φορέα. 13) Έτος και μήνας κατασκευής. 14) Αριθμός παρτίδας. 15) Αριθμός μοντέλου. 16) Αποδεκτές τοποθεσίες εγκατάστασης και εύρη εργασίας. Να εγκαθίσταται σε δομές που έχουν αξιολογηθεί για 12kN ή περισσότερα. 17) Αρχείο καταγραφής επιθεωρήσεων. 18) Ημερομηνία επιθεώρησης. 19) Αρχικά επιθεωρητή. 20) Αριθμός μοντέλου συρόμενου συστήματος αγκύρωσης δοκού, επιτρεπόμενο πλάτος και πάχος φλάντζας δοκού.



**Πίνακας 2 – Αρχείο καταγραφής επιθεώρησης και συντήρησης**

Ημερομηνία επιθεώρησης:		Επιθεωρήθηκε από:	
Εξαρτήματα:	Επιθεώρηση: (Δείτε την Ενότητα 1 για τη Συχνότητα Επιθεώρησης)	Χρήστης	Αρμόδιο πρόσωπο <sup>1</sup>
Συρόμενο σύστημα αγκύρωσης δοκού (Σχήμα 2)	Επιθεωρήστε το συρόμενο σύστημα αγκύρωσης δοκού για βλάβες: Αναζητήστε ρωγμές, βαθουλώματα ή παραμορφώσεις.	<input type="checkbox"/>	<input type="checkbox"/>
	Επιθεωρήστε για λυγίσματα ή φθορά στον σωλήνα υποστήριξης (Α), τον κρίκο συνδέσμου (Β), τον βραχίονα κρίκου συνδέσμου, των άκρων γάντζων (Γ) και τους διακόπτες εμπλοκής (Δ).	<input type="checkbox"/>	<input type="checkbox"/>
	Επιθεωρήστε για τυχόν απόντα εξαρτήματα (ήλους άκρων, κεντρικός κοχλίας, κ.λπ.).	<input type="checkbox"/>	<input type="checkbox"/>
	Ελέγξτε ολόκληρη τη μονάδα για σημάδια διάβρωσης.	<input type="checkbox"/>	<input type="checkbox"/>
	Επιθεωρήστε τα προστατευτικά επιθέματα για να διασφαλίσετε ότι δεν έχουν φθαρεί σε βαθμό που τα άκρα του γάντζου να βρίσκονται σε άμεση επαφή με τη φλάντζα της δοκού. Αντικαταστήστε φθαρμένα προστατευτικά επιθέματα ή επιθέματα με ρωγμές. (δείτε την ενότητα Αφαίρεση και αντικατάσταση προστατευτικών επιθεμάτων)	<input type="checkbox"/>	<input type="checkbox"/>
	Επιθεωρήστε τα δόντια της μπάρας υποστήριξης (Α) για φθορές ή βλάβες. Διασφαλίστε ότι η κασάνια εμπλοκής μπλοκάρει πλήρως το κάθε δόντι αυτόματα με την απελευθέρωση των διακοπών εμπλοκής (Δ).	<input type="checkbox"/>	<input type="checkbox"/>
	Βεβαιωθείτε ότι οι διακόπτες εμπλοκής (Δ) λειτουργούν κανονικά, ανασύρονται πλήρως και κλειδώνουν αυτόματα με τα δόντια της μπάρας υποστήριξης (Α).	<input type="checkbox"/>	<input type="checkbox"/>
Ετικέτες (Σχήμα 11)	Βεβαιωθείτε ότι όλες οι ετικέτες είναι παρούσες, ασφαλώς προσαρτημένες και ευανάγνωστες (δείτε «Ετικέτες»)	<input type="checkbox"/>	<input type="checkbox"/>
PFAS και Λοιπός Εξοπλισμός	Πρόσθετος εξοπλισμός του Προσωπικού Συστήματος Ανάσχεσης Πτώσης (PFAS) (εξάρτηση, SRL, κ.λπ.) που χρησιμοποιούνται με το σύστημα αγκίστρωσης, πρέπει να εγκαθίστανται και να επιθεωρούνται σύμφωνα με τις οδηγίες του κατασκευαστή.	<input type="checkbox"/>	<input type="checkbox"/>
<b>Σειριακός αριθμός(οί):</b>		<b>Ημερομηνία αγοράς:</b>	
<b>Αριθμός μοντέλου:</b>		<b>Ημερομηνία πρώτης χρήσης:</b>	
<b>Διορθωτική ενέργεια/συντήρηση:</b>		Εγκρίθηκε από:	
		Ημερομηνία:	
<b>Διορθωτική ενέργεια/συντήρηση:</b>		Εγκρίθηκε από:	
		Ημερομηνία:	
<b>Διορθωτική ενέργεια/συντήρηση:</b>		Εγκρίθηκε από:	
		Ημερομηνία:	
<b>Διορθωτική ενέργεια/συντήρηση:</b>		Εγκρίθηκε από:	
		Ημερομηνία:	
<b>Διορθωτική ενέργεια/συντήρηση:</b>		Εγκρίθηκε από:	
		Ημερομηνία:	
<b>Διορθωτική ενέργεια/συντήρηση:</b>		Εγκρίθηκε από:	
		Ημερομηνία:	
<b>Διορθωτική ενέργεια/συντήρηση:</b>		Εγκρίθηκε από:	
		Ημερομηνία:	
<b>Διορθωτική ενέργεια/συντήρηση:</b>		Εγκρίθηκε από:	
		Ημερομηνία:	
<b>Διορθωτική ενέργεια/συντήρηση:</b>		Εγκρίθηκε από:	
		Ημερομηνία:	

<sup>1</sup> **Αρμόδιο πρόσωπο:** Το πρόσωπο που είναι σε θέση να αναγνωρίσει υπάρχοντες και προβλέψιμους κινδύνους στο περιβάλλον ή σε συνθήκες εργασίας που είναι ανθυγιεινές, επισφαλείς ή επικίνδυνες για τους εργαζομένους, και ο οποίος έχει άδεια να λάβει άμεσα διορθωτικά μέτρα για την εξάλειψή τους.

<p align="center"><b>GLOBAL PRODUKTGARANTI, BEGRÆNSEDE RETSMIDLER OG BEGRÆNSNING AF GARANTIFORPLIGTELSE</b></p> <p><b>GARANTI:</b> FØLGENDE ERSTATTER ALLE GARANTIER ELLER BETINGELSER, UDTRYKKELIGE ELLER UNDERFORSTÅEDE, HERUNDER DE UNDERFORSTÅEDE GARANTIER ELLER BETINGELSER FOR SALGBARHED ELLER EGNETHED TIL ET SPECIFIKT FORMÅL.</p> <p>Bortset fra hvad der sikres ved gældende love, er 3M's produkter til faldsikring omfattet af en garanti mod fabriksdefekter i den håndværksmæssige udførelse og materialer i en periode på et år fra installationsdatoen eller den første ejers ibrugtagingsdato.</p> <p><b>BEGRÆNSEDE RETSMIDLER:</b> Ved skriftlig henvendelse til 3M vil 3M reparere eller erstatte ethvert produkt, der af 3M vurderes at have en fabriksdefekt i den håndværksmæssige udførelse eller materialer. 3M forbeholder sig ret til at kræve produktet returneret til dets anlæg for at vurdere krav om garanti. Denne garanti dækker ikke skade på produktet slid, misbrug, forkert brug, transportskade, manglende vedligeholdelse af produktet eller anden skade uden for 3M's kontrol. 3M vil alene fastslå produktets tilstand og mulighederne for garanti.</p> <p>Denne garanti gælder kun for den oprindelige køber og er den eneste garanti gældende for 3M's produkter til faldsikring. Kontakt venligst 3M's kundeserviceafdeling i dit område for at få hjælp.</p> <p><b>BEGRÆNSNING AF GARANTIFORPLIGTELSE:</b> I DEN UDSTRÆKNING DET TILLADES AF LOKALE LOVE ER 3M IKKE ANSVARLIG FOR NOGEN INDIREKTE, TILFÆLDIGE, SPECIELLE ELLER PÅFØLGENDE SKADER, HERUNDER MEN IKKE BEGRÆNSET TIL TAB AF FORTJENESTE, DER PÅ NOGEN MÅDE ER RELATERET TIL PRODUKTERNE UANSET DEN UDLAGTE JURIDISKE TEORI.</p>	<p align="center"><b>GLOBALE PRODUKTGARANTIE, BESCHRÄNKTES RECHTSMITTEL UND HAFTUNGSBESCHRÄNKUNG</b></p> <p><b>GARANTIE:</b> FOLGENDES GILT STELLVERTRETEND FÜR ALLE GARANTIEEN ODER BEDINGUNGEN, EINSCHLIESSLICH STILLSCHWEIGEND ANGENOMMENER GARANTIEEN ODER BEDINGUNGEN HINSICHTLICH DER TAUGLICHKEIT ODER EIGNUNG FÜR EINEN BESTIMMTEN ZWECK.</p> <p>Soweit gesetzlich nicht anders vorgeschrieben, werden bei 3M-Produkten für die Absturzicherung werksseitige Mängel bei Verarbeitung und Material für einen Zeitraum von einem Jahr ab dem Datum der Installation oder der erstmaligen Benutzung durch den ursprünglichen Eigentümer garantiert.</p> <p><b>BESCHRÄNKTES RECHTSMITTEL:</b> Nach schriftlicher Mitteilung an 3M wird 3M jedes Produkt ersetzen oder austauschen, bei dem durch 3M ein werksseitiger Material- oder Verarbeitungsfehler festgestellt wird. 3M behält sich das Recht vor, die Rücksendung des Produkts an das Werk zur Beurteilung der Garantieansprüche zu verlangen. Unter dieser Garantie sind keine Schäden am Produkt gedeckt, die auf Verschleiß, Missbrauch, Transportschäden, Versäumnis der Instandhaltung des Produkts oder sonstige außerhalb der Kontrolle von 3M liegende Schäden zurückzuführen sind. 3M trifft allein die Entscheidung über Produktzustand und Garantioptionen.</p> <p>Diese Garantie gilt ausschließlich für den ursprünglichen Käufer und ist die einzige, die für Absturzicherungsprodukte von 3M maßgeblich ist. Kontaktieren Sie bitte die Kunden-Service-Abteilung, um Unterstützung zu erhalten.</p> <p><b>HAFTUNGSBESCHRÄNKUNG:</b> SOWEIT NACH GELTENDEM RECHT ZULÄSSIG, IST 3M NICHT HAFTBAR FÜR UNMITTELBARE, MITTELBARE, BESONDERE SCHÄDEN ODER FOLGESCHÄDEN JEDER ART, EINSCHLIESSLICH VON VERLUST VON GEWINN, DER IM ZUSAMMENHANG MIT DEN PRODUKTEN ENTSTEHT, UNGEACHTET DER ANGEFÜHRTEN RECHTSTHEORIE.</p>
<p align="center"><b>GARANTÍA GLOBAL DE PRODUCTO, COMPENSACIÓN LIMITADA Y LIMITACIÓN DE RESPONSABILIDAD</b></p> <p><b>GARANTÍA:</b> LAS SIGUIENTES DISPOSICIONES PREVALERÁN SOBRE CUALQUIER GARANTÍA O CONDICIÓN, EXPRESA O IMPLÍCITA, INCLUIDAS LAS CONDICIONES O GARANTÍAS IMPLÍCITAS DE COMERCIABILIDAD O IDONEIDAD PARA UN FIN ESPECÍFICO.</p> <p>Salvo que la legislación local estipule lo contrario, los productos de protección contra caídas de 3M están garantizados contra defectos de fabricación de mano de obra y materiales durante un periodo de un año a partir de la fecha de instalación o del primer uso por parte del propietario original.</p> <p><b>COMPENSACIÓN LIMITADA:</b> Tras recibir comunicación por escrito, 3M reparará o sustituirá los productos que considere que tienen un defecto de fabricación de mano de obra o materiales. 3M se reserva el derecho a solicitar la devolución del producto a sus instalaciones para evaluar las reclamaciones de garantía. Esta garantía no cubre los daños en el producto resultantes de desgaste, mal uso, uso indebido, daños durante el tránsito, mantenimiento inapropiado del producto o daños que escapen al control de 3M. 3M será el único con derecho a determinar el estado del producto y las opciones de garantía.</p> <p>Esta garantía puede ser utilizada únicamente por el comprador original y es la única que cubre los productos de protección contra caídas de 3M. Si necesita ayuda, póngase en contacto con el departamento de servicios de atención al cliente de 3M.</p> <p><b>LIMITACIÓN DE RESPONSABILIDAD:</b> EN LA MEDIDA QUE LO PERMITA LA LEGISLACIÓN LOCAL, 3M NO SE RESPONSABILIZARÁ DE LOS DAÑOS INDIRECTOS, FORTUITOS, ESPECIALES O RESULTANTES, INCLUIDA LA PÉRDIDA DE GANANCIA, RELACIONADOS DE MANERA ALGUNA CON LOS PRODUCTOS, INDEPENDIENTEMENTE DE LOS FUNDAMENTOS LEGALES QUE SE ALEGUEN.</p>	<p align="center"><b>GLOBAALI TUOTETAKUU, RAJATTU KORVAUS JA VASTUUNRAJOITUS</b></p> <p><b>TAKUU:</b> SEURAAVA ON LAADITTU KAIKKIIEN SUORIEN TAI EPÄSUORIEN TAKUIDEN TAI EHTOJEN SIJAAN, MUKAAN LUKIEN EPÄSUORAT TAKUIT MYNTIKELPOISUUDESTA TAI SOPIVUUDESTA TIETYYN TARKOITUKSEEN.</p> <p>Ellei muutoin paikallisissa laeissa säädetä, 3m-putoamisenestotuotteilla on yhden vuoden takuu valmistusvirheitä ja materiaalivirheitä koskien asennuspäivästä tai alkuperäisen käyttäjän ensimmäisestä käyttöpäivästä alkaen.</p> <p><b>RAJATTU KORVAUS:</b> Kirjallisella 3M:lle lähetetyllä ilmoituksella 3M korjaa tai vaihtaa kaikki tuotteet, joissa on 3M:n määrätelmää valmistus- tai materiaalivirhe. 3M pidättää oikeuden vaatia tuotetta palautettavaksi tehtäule takuuvaatimusten arvioimisesta. Tämä takuu ei kata kulumisesta, tuotteen väärinkäytöstä, kuljetusvahingoista tai tuotteen epäonnistuneesta huollosta aiheutunutta vauriota tai muuta vauriota, johon 3M ei pysty vaikuttamaan. Tuotteen kunnosta ja takuuvaihtoehtoista päätöksien tekee ainoastaan 3M.</p> <p>Tämä takuu koskee vain alkuperäistä ostajaa, ja sitä sovelletaan ainoastaan 3M:n putoamisenestotuotteisiin. Ota yhteyttä paikalliseen 3M:n asiakaspalveluun saadaksesi apua.</p> <p><b>VASTUUNRAJOITUS:</b> PAIKKALLISTEN LAKIEN SALLIMISSA MÄÄRIIN 3M EI OLE VASTUUSSA MISTÄÄN EPÄSUORASTA, SATTUMANVARAISESTA, ERTYTYSESTÄ TAI AIHEUTUNEESTA VAHINGOSTA, MUKAAN LUKIEN, MUTTA SIIHEN KUITENKAAN RAJOITTUMATTA, TUOTTOJEN MENETTÄMINEN, MILLÄÄN TAVALLA TUOTTEISIIN LIITTYEN OIKEUSTEORIASTA HUOLIMATTA.</p>
<p align="center"><b>GARANTIE PRODUIT INTERNATIONALE, RECOURS LIMITÉ ET LIMITATION DE LA RESPONSABILITÉ</b></p> <p><b>GARANTIE:</b> LES DISPOSITIONS SUIVANTES SONT PRISES EN LIEU ET PLACE DE TOUTES LES GARANTIES OU CONDITIONS, EXPRESSES OU IMPLICITES, Y COMPRIS LES GARANTIES OU CONDITIONS IMPLICITES DE QUALITÉ MARCHANDE OU D'ADAPTATION À UN USAGE SPÉCIFIQUE.</p> <p>À moins d'un conflit avec une législation locale, les produits antichute de 3M sont garantis contre les défauts de fabrication en usine et de matériaux pendant une période d'un an à compter de la date d'installation ou de la première utilisation par le propriétaire initial.</p> <p><b>RECOURS LIMITÉ :</b> Sur demande écrite à 3M, 3M s'engage à réparer ou remplacer tout produit considéré par 3M comme souffrant d'un défaut de fabrication en usine ou de matériaux. 3M se réserve le droit d'exiger que le produit lui soit retourné pour une évaluation de la réclamation au titre de la garantie. Cette garantie ne couvre pas les dommages du produit liés à l'usure, aux abus, à la mauvaise utilisation, aux dommages liés aux transports, au manque d'entretien du produit ou tout autre dommage indépendant du contrôle de 3M. 3M sera l'unique juge de la condition du produit et des options de la garantie.</p> <p>Cette garantie ne s'applique qu'au propriétaire initial et elle constitue l'unique garantie s'appliquant aux produits antichute de 3M. Veuillez contacter le service à la clientèle 3M de votre région pour obtenir de l'assistance.</p> <p><b>LIMITATION DE LA RESPONSABILITÉ :</b> DANS LES MESURES PERMISES PAR LA LÉGISLATION LOCALE, 3M N'EST PAS RESPONSABLE POUR TOUT DOMMAGE INDIRECT, ACCESSOIRE, SPÉCIFIQUE OU CONSÉCUTIF, Y COMPRIS, MAIS SANS S'Y LIMITER, LA PERTE DE PROFITS, LIÉE DE QUELQUE MANIÈRE QUE CE SOIT AUX PRODUITS, MALGRÉ LA THÉORIE JURIDIQUE REVENDIQUÉE.</p>	<p align="center"><b>ΠΑΓΚΟΣΜΙΑ ΕΓΓΥΗΣΗ ΠΡΟΪΟΝΤΟΣ, ΠΕΡΙΟΡΙΣΜΕΝΗ ΑΠΟΚΑΤΑΣΤΑΣΗ ΚΑΙ ΠΕΡΙΟΡΙΣΜΟΣ ΕΥΘΥΝΗΣ</b></p> <p><b>ΕΓΓΥΗΣΗ:</b> ΤΑ ΑΚΟΛΟΥΘΑ ΑΝΤΙΚΑΘΙΣΤΟΥΝ ΟΛΕΣ ΤΙΣ ΕΓΓΥΗΣΕΙΣ Η ΠΡΟΫΠΟΘΕΣΕΙΣ, ΡΗΤΕΣ Η ΣΙΩΠΗΡΕΣ, ΣΥΜΠΕΡΙΛΑΜΒΑΝΟΜΕΝΩΝ ΤΩΝ ΣΙΩΠΗΡΩΝ ΕΓΓΥΗΣΕΩΝ Η ΠΡΟΫΠΟΘΕΣΕΩΝ ΕΜΠΟΡΕΥΣΙΜΟΤΗΤΑΣ Η ΚΑΤΑΛΛΗΛΟΤΗΤΑΣ ΓΙΑ ΣΥΓΚΕΡΙΜΕΝΟ ΣΚΟΠΟ.</p> <p>Εκτός και αν ορίζεται διαφορετικά από την τοπική νομοθεσία, τα προϊόντα προστασίας από πτώση της 3M καλύπτονται από εγγύηση για τυχόν ελαττώματα λόγω κακοτεχνίας και υλικών για χρονική περίοδο ενός έτους από την ημερομηνία της εγκατάστασης ή της πρώτης χρήσης από τον πρώτο ιδιοκτήτη.</p> <p><b>ΠΕΡΙΟΡΙΣΜΕΝΗ ΑΠΟΚΑΤΑΣΤΑΣΗ:</b> Κατόπιν γραπτής ειδοποίησης στην 3M, η 3M θα επιδιωχώσει ή θα αντικαταστήσει οποιοδήποτε προϊόν κρήθηκε από την 3M ότι παρουσιάζει εργοστασιακό ελάττωμα λόγω κακοτεχνίας ή υλικών. Η 3M διατηρεί το δικαίωμα να απατήσει την επιστροφή του προϊόντος στις εγκαταστάσεις της για αξιολόγηση των αξιώσεων εγγύησης. Αυτή η εγγύηση δεν καλύπτει βλάβες προϊόντων λόγω φθοράς, κατάχρησης, κακής χρήσης, ζημιών κατά τη μεταφορά, αποτυχίας συντήρησης του προϊόντος ή άλλης βλάβης πέραν του ελέγχου της 3M. Η 3M θα αποστείλει τον μοναδικό κριτή της κατάστασης του προϊόντος και των επιλογών εγγύησης.</p> <p>Αυτή η εγγύηση ισχύει μόνο για τον αρχικό αγοραστή και είναι η μόνη εγγύηση που ισχύει για τα προϊόντα προστασίας από πτώση της 3M. Παρακαλούμε επικοινωνήστε με το τμήμα εξυπηρέτησης πελατών της 3M της περιοχής σας για βοήθεια.</p> <p><b>ΠΕΡΙΟΡΙΣΜΟΣ ΤΗΣ ΕΥΘΥΝΗΣ:</b> ΣΤΟΝ ΒΑΘΜΟ ΠΟΥ ΕΠΙΤΡΕΠΕΤΑΙ ΑΠΟ ΤΗΝ ΤΟΠΙΚΗ ΝΟΜΟΘΕΣΙΑ, Η 3M ΔΕΝ ΕΙΝΑΙ ΥΠΕΥΘΥΝΗ ΓΙΑ ΤΥΧΟΝ ΕΜΜΕΣΕΣ, ΑΠΡΟΒΛΕΠΤΕΣ, ΕΙΔΙΚΕΣ Η ΕΠΑΚΟΛΟΥΘΕΣ ΖΗΜΙΕΣ ΠΟΥ ΠΕΡΙΛΑΜΒΑΝΟΥΝ, ΑΛΛΑ ΔΕΝ ΠΕΡΙΟΡΙΖΟΝΤΑΙ ΣΕ ΑΠΛΗΛΕΙΑ ΚΕΡΔΩΝ ΠΟΥ ΣΧΕΤΙΖΕΤΑΙ ΜΕ ΟΠΟΙΟΝΔΗΠΟΤΕ ΤΡΟΠΟ ΜΕ ΤΑ ΠΡΟΪΟΝΤΑ ΑΣΧΕΤΩΣ ΤΗΣ ΝΟΜΙΚΗΣ ΘΕΩΡΙΑΣ ΠΟΥ ΠΡΟΒΛΑΛΕΤΑΙ.</p>
<p align="center"><b>GLOBAL PRODUKTGARANTI, BEGRENSET AVHJELP OG BEGRÆNSNING AV ERSTATNINGANSVAR</b></p> <p><b>GARANTI:</b> DET FØLGENDE KOMMER I STEDET FOR ALLE GARANTIER ELLER VILKÅR, UTTRYKKELIGE ELLER UNDERFORSTÅTTE, INKLUDERT DE UNDERFORSTÅTTE GARANTIENE ELLER VILKÅRENE OM SALGBARHET ELLER EGNETHET FOR ET BESTEMT FORMÅL.</p> <p>Med mindre annet er bestemt av lokale lover, er 3Ms fallsikringsprodukter garantert mot fabriksjonsfeil i håndværksmessig utførelse og materialer for en periode på ett år fra installasjonsdatoen eller første bruk av den opprinnelige eieren.</p> <p><b>BEGRENSET AVHJELP:</b> Ved skriftlig melding til 3M, vil 3M reparere eller erstatte ethvert produkt som av 3M fastslås å ha en fabriksjonsfeil i håndværksmessig utførelse eller materialer. 3M forbeholder seg retten til å kreve at produktet blir leveret tilbake til fabrikken for evaluering av garantikrav. Denne garantien dekker ikke produktskade grunnet slitasje, misbruk, skade i transit, unnlattelse av å vedlikeholde produktet eller annen skade utenfor 3Ms kontroll. 3M vil være den eneste til å bedømme produktvilkår og garantialternativer.</p> <p>Denne garantien gjelder kun den opprinnelige kjøperen og er den eneste garantien som er anvendelig for 3Ms fallsikringsprodukter. Vennligst kontakt 3Ms kundeserviceavdeling i ditt område for hjelp.</p> <p><b>BEGRENSNING AV ERSTATNINGANSVAR:</b> I DEN UTSTREKNING DET ER TILLATT AV LOKALE LOVER, ER IKKE 3M ERSTATNINGANSVARLIG FOR NOEN SOM HELST INDIREKTE, HENDELIGE, SPEIELLE ELLER FØLGEMESSIGE SKADER INKLUDERT, MEN IKKE BEGRENSET TIL TAP AV FORTJENESTE, PÅ NOEN SOM HELST MÅTE FORBUNDET MED PRODUKTENE, UAVHENGIG AV HVILKEN JURIDISK TEORI SOM PÅBEROPEES.</p>	<p align="center"><b>GARANTIA GLOBAL DO PRODUTO, REPARAÇÃO LIMITADA E LIMITAÇÃO DE RESPONSABILIDADE</b></p> <p><b>GARANTIA:</b> A SEGUINTE É FEITA EM LUGAR DE TODAS AS GARANTIAS OU CONDIÇÕES, EXPRESSAS OU IMPLÍCITAS, INCLUINDO AS GARANTIAS OU CONDIÇÕES DE COMERCIALIZAÇÃO OU ADEQUAÇÃO A UM DETERMINADO FIM.</p> <p>Salvo disposição em contrário pelas leis locais, os produtos de proteção contra quedas da 3M têm garantia contra defeitos de fábrica, quer no fabrico, quer nos materiais, por um período de um ano, a partir da data de instalação ou da primeira utilização pelo proprietário original.</p> <p><b>REPARAÇÃO LIMITADA:</b> Após a notificação por escrito à 3M, a 3M irá reparar ou substituir qualquer produto que a 3M determinar ter um defeito de fábrica no fabrico ou nos materiais. A 3M reserva-se o direito de exigir que o produto seja devolvido às suas instalações para avaliação das solicitações de garantia. Esta garantia não cobre danos ao produto devidos ao desgaste, abuso, mau uso, danos durante o transporte, falha na manutenção do produto ou outros danos fora do controle da 3M. A 3M será o único juiz da condição do produto e opções de garantia.</p> <p>Esta garantia aplica-se somente ao comprador original e é a única garantia aplicável aos produtos de proteção contra quedas da 3M. Entre em contacto com o departamento de atendimento ao cliente da 3M na sua área para obter assistência.</p> <p><b>LIMITAÇÃO DE RESPONSABILIDADE:</b> NA MEDIDA DO PERMITIDO PELAS LEIS LOCAIS, A 3M NÃO SE RESPONSABILIZA POR QUAISQUER DANOS INDIRETOS, INCIDENTAIS, ESPECIAIS OU CONSEQUENTES, INCLUINDO, MAS NÃO SE LIMITANDO À PERDA DE LUCROS DE ALGUMA FORMA RELACIONADA COM OS PRODUTOS, INDEPENDENTEMENTE DA BASE LEGAL INVOCADA.</p>
<p align="center"><b>GLOBAL PRODUKTGARANTI, BEGRÄNSAD KOMPENSATION OCH BEGRÄNSAD ANSVARSKYLDIGHET</b></p> <p><b>GARANTI:</b> FÖLJANDE GÄLLER SOM ERSÄTTNING FÖR ALLA GARANTIER ELLER VILLKOR, UTTRYCKLIGA ELLER UNDERFÖRSTÅDDA, INKLUSIVE UNDERFÖRSTÅDDA GARANTIER ELLER VILLKOR FÖR SÄLJBARHET ELLER LÄMPLIGHET FÖR ETT VISST ÄNDAMÅL.</p> <p>Såvida inte annat stipuleras i lokala lagar, garanteras 3M:s fallskyddsprodukter mot fabriktionsfel avseende tillverkning och material under en period av ett år från datum för ursprunglig ägares installation eller första användning.</p> <p><b>BEGRÄNSAD KOMPENSATION:</b> Efter skriftlig avisering till 3M, kommer 3M att reparera eller byta ut varje produkt, som av 3M fastställts vara behäftad med fabriktionsfel vad gäller tillverkning eller material. 3M förbehåller sig rätten att kräva att produkt returneras till företagets anläggning för utvärdering av garantianspråk. Denna garanti omfattar inte produktskada till följd av slitage, felaktig användning, missbruk, skada under transport, underlåtenhet att sköta produkten eller annan skada utom 3M:s kontroll. 3M är ensam bedömare av produktskick och garantialternativ.</p> <p>Den här garantin avser enbart den ursprungliga köparen och är den enda garanti som gäller för 3M:s fallskyddsprodukter. Kontakta 3M:s kundtjänst avdelning i din region för assistans.</p> <p><b>BEGRÄNSNING AV ANSVARSKYLDIGHET:</b> I DEN OMFATTNING SOM TILLÅTS AV LOKALA LAGAR, ANSVARAR 3M INTE FÖR NÅGRA INDIREKTA, OFÖRUTSEDDA, SPECIELLA ELLER FÖLJDISKADOR, INKLUSIVE MEN INTE BEGRÄNSAT TILL FÖRLUST AV VINSTER, VILKA PÅ NÅGOT SÄTT HÄNFÖRTS TILL PRODUKTERNA, OAVSETT HÖVDAD RÄTTSLIG GRUND.</p>	







## GLOBAL PRODUCT WARRANTY, LIMITED REMEDY AND LIMITATION OF LIABILITY

**WARRANTY:** THE FOLLOWING IS MADE IN LIEU OF ALL WARRANTIES OR CONDITIONS, EXPRESS OR IMPLIED, INCLUDING THE IMPLIED WARRANTIES OR CONDITIONS OF MERCHANTABILITY OR FITNESS FOR A PARTICULAR PURPOSE.

Unless otherwise provided by local laws, 3M fall protection products are warranted against factory defects in workmanship and materials for a period of one year from the date of installation or first use by the original owner.

**LIMITED REMEDY:** Upon written notice to 3M, 3M will repair or replace any product determined by 3M to have a factory defect in workmanship or materials. 3M reserves the right to require product be returned to its facility for evaluation of warranty claims. This warranty does not cover product damage due to wear, abuse, misuse, damage in transit, failure to maintain the product or other damage beyond 3M's control. 3M will be the sole judge of product condition and warranty options.

This warranty applies only to the original purchaser and is the only warranty applicable to 3M's fall protection products. Please contact 3M's customer service department in your region for assistance.

**LIMITATION OF LIABILITY:** TO THE EXTENT PERMITTED BY LOCAL LAWS, 3M IS NOT LIABLE FOR ANY INDIRECT, INCIDENTAL, SPECIAL OR CONSEQUENTIAL DAMAGES INCLUDING, BUT NOT LIMITED TO LOSS OF PROFITS, IN ANY WAY RELATED TO THE PRODUCTS REGARDLESS OF THE LEGAL THEORY ASSERTED.

# 3M



Fall Protection

### USA

3833 SALA Way  
Red Wing, MN 55066-5005  
Toll Free: 800.328.6146  
Phone: 651.388.8282  
Fax: 651.388.5065  
3Mfallprotection@mmm.com

### Brazil

Rua Anne Frank, 2621  
Boqueirão Curitiba PR  
81650-020  
Brazil  
Phone: 0800-942-2300  
falecoma3m@mmm.com

### Mexico

Calle Norte 35, 895-E  
Col. Industrial Vallejo  
C.P. 02300 Azcapotzalco  
Mexico D.F.  
Phone: (55) 57194820  
3msaludocupacional@mmm.com

### Colombia

Compañía Latinoamericana de Seguridad S.A.S.  
Carrera 106 #15-25 Interior 105 Manzana 15  
Zona Franca - Bogotá, Colombia  
Phone: 57 1 6014777  
fallprotection-co@mmm.com

### Canada

260 Export Boulevard  
Mississauga, ON L5S 1Y9  
Phone: 905.795.9333  
Toll-Free: 800.387.7484  
Fax: 888.387.7484  
3Mfallprotection-ca@mmm.com

### EMEA (Europe, Middle East, Africa)

*EMEA Headquarters:*  
Le Broc Center  
Z.I. 1re Avenue - BP15  
06511 Carros Le Broc Cedex  
France  
Phone: + 33 04 97 10 00 10  
Fax: + 33 04 93 08 79 70  
informationfallprotection@mmm.com

### Australia & New Zealand

95 Derby Street  
Silverwater  
Sydney NSW 2128  
Australia  
Phone: +(61) 2 8753 7600  
Toll-Free : 1800 245 002 (AUS)  
Toll-Free : 0800 212 505 (NZ)  
Fax: +(61) 2 8753 7603  
anzfallprotectionsales@mmm.com

### Asia

*Singapore:*  
1 Yishun Avenue 7  
Singapore 768923  
Phone: +65-6450 8888  
Fax: +65-6552 2113  
TotalFallProtection@mmm.com

### Shanghai:

19/F, L'Avenue, No.99 Xian Xia Rd  
Shanghai 200051, P R China  
Phone: +86 21 62539050  
Fax: +86 21 62539060  
3MFallProtection-CN@mmm.com

### Korea:

3M Korea Ltd  
20F, 82, Uisadang-daero,  
Yeongdeungpo-gu, Seoul  
Phone: +82-80-033-4114  
Fax: +82-2-3771-4271  
TotalFallProtection@mmm.com

### Japan:

3M Japan Ltd  
6-7-29, Kitashinagawa, Shinagawa-ku, Tokyo  
Phone: +81-570-011-321  
Fax: +81-3-6409-5818  
psd.jp@mmm.com

WEBSITE:  
[3M.com/FallProtection](http://3M.com/FallProtection)



EU DECLARATION OF CONFORMITY:  
[3M.com/FallProtection/DOC](http://3M.com/FallProtection/DOC)